



PART OF ALIMAK GROUP



Catalogue 2026

Lifting equipment | Measurement and Control | Fall protection
Confined space access | Temporary Access

Valid from 1 January 2026

www.tractel.com

Company Profile

Tractel is a world leading safety specialist providing reliable, innovative and cost-effective working-at-height solutions and services. These solutions are used in many end-user applications, in particular in industrial, construction, energy, telecoms and infrastructure projects.

Tractel's solutions portfolio comprises of:

- **Height Safety** - Leading provider of working-at-height personal protective equipment – fall arrest devices (Stopfor, Blocfor, Derope), anchors, harnesses - as well as collective protective equipment, such as guardrails, (BlueWater), safety gates (Fabenco) and safety nets (Knot).
- **Load Measurement & Control** – European leader in industrial load measurement and control – Dynafor, Handifor, Dynasafe, Dynaline, Dynarope, and Dynaplug.
- **Lifting & Handling** – World leader in pass-through manual wire rope hoists (Tirfor) and pass-through electrical wire rope hoists (Tirak, Minifor), clamps, pulleys and hooks, as well as ground handling equipment.
- **Temporary & Permanent Access** – World leader in hoists (Tirak) and aluminium platforms (ALTA, Skysafe), mast climbing work and transport platforms and construction elevators (Scanclimber), Building Maintenance Units and permanent access solutions for industry, infrastructure and buildings.
- **Services** - in-situ inspection and maintenance services for permanent access equipment, workshop maintenance and general overhauls of mechanical equipment, as well as training and rental services

Established more than 70 years ago, Tractel today has significant manufacturing facilities in Europe (France, Germany, Poland, Spain), the USA (Minneapolis, Houston), Canada (Toronto, Montreal), China (Shanghai), Singapore and Turkey. These facilities are supported by dedicated centres of excellence in R&D, engineering and safety standards. Tractel has customers in 120 countries, subsidiaries in 19 countries, 10,000 distributors around the world, and employs around 1,100 people.

This network of expertise, experience and geographical locations allows Tractel to achieve global reach with local presence.



Tractel Values:

- **Safety:** Safety is paramount in everything we do. Our customers, subcontractors and employees rely on us to keep them safe when working at height and in their respective work environments, and we will do everything we can to maintain that trust.
- **Interests of our Customers:** The Interests of our Customers are at the forefront of our mind. The distributors, contractors and other customers we work with around the world are the lifeblood of our business existence. Our business does well if we deliver the value that makes their business do well.
- **Reliability:** We focus on Reliability. We take pride in the fact that our products and solutions are of the highest quality and work reliably throughout their lifetime. We pride ourselves on being just as reliable in business. We say what we do and do what we say, we are trusted business partners, both inside and outside of our organisation.
- **Entrepreneurship and Innovation:** We value Entrepreneurship and Innovation. We take pride in growing our business, we are agile and fast in developing opportunities. We innovate because it is how we bring better value to our customers, differentiate from our competitors and ultimately ensure that Tractel continues to thrive for years to come.
- **Focused and Transparent:** We are focused on the projects we have decided to deliver and value team work. Both within our respective organisations and across sister business units. This means we act with transparency between colleagues, and we are accountable for the projects under our responsibility.

Table of Contents

1	Lifting equipment	Page
	Manual hoists	6
	Motorised hoists	28
	Pulleys, blocks and sheaves	56
	Lifting clamps	71
	Lifting beams	99
	Lifting points	109
	Floor handling equipment	112
	Material-only load arresters	114
2	Measurement and Control	Page
	Dynafor Load Indicators	122
	Mechanical Dynasafe	134
	Electronic Dynasafe	135
	Dynarope Tension Meters	140
	Anchor test equipment	142
3	Fall protection	Page
	Safety harnesses and accessories	150
	Fall arresters and lanyards	175
	Safety connectors	203
	Anchor points	209
	Lifelines	223
	Safety ladders and rails	245
	Confined space access	279
	Rescue equipment	306
	Rope access equipment	311
4	Temporary Access	Page
	Temporary Access	317

1.

Lifting Equipment



Manual hoists

Page 6–27

Motorised hoists

Page 28–55

Pulleys, blocks and sheaves

Page 56–70

Lifting clamps

Page 71–98

Lifting beams

Page 99–108

Lifting points

Page 109–111

Floor handling equipment

Page 112–113

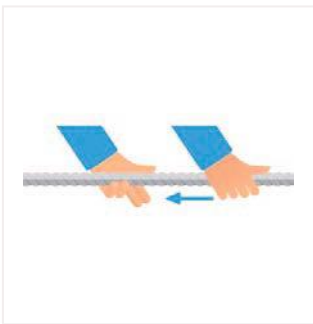
Material-only load arresters

Page 114–119



Tirfor

Tirfor: Proven quality for decades, brand name and market leader – often copied never equalled

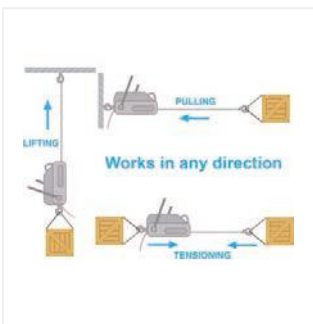


The Tirfor principle

- Two jaws alternatively pull the wire rope and the load in the required direction, like pulling a rope hand over hand.
- The jaws are self-gripping providing safe operation.
- The heavier the load, the tighter the jaws will grip.
- By operating the unlocking mechanism, the wire rope can be inserted or removed from between the jaws.

Multifunctional

- Work can be carried out in any direction: horizontally, vertically or at an angle.
- No theoretical limit to the wire rope length.
- Manually operated for use almost anywhere.
- Motorised versions available.

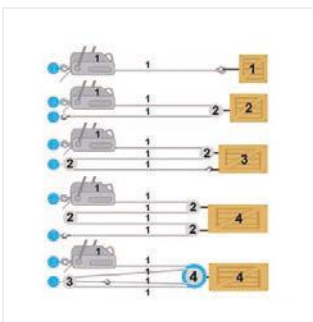


Safe and reliable

- Constant control over loads during lifting and lowering with millimetre accuracy.
- When the hoist stops, the load will be automatically distributed over the two jaws.
- Overload protection.

Increasing the WLL

- The Tirfor's WLL can be increased by a factor of 2, 3, 4 or more by using sheave blocks.
- When calculating the WLL for sheaved systems, allow for a WLL loss of 4% per sheave block, caused by friction.



Tirfor T500 series



T508



T516



T532

The Tirfor T500 hoist is a manual lifting and pulling device. It is a versatile and portable multi-purpose device that can be used for lifting and pulling, but also for lowering, tensioning and securing loads in all directions.

One-man operation by using the telescopic control lever supplied as standard. Spare shear pins for overload protection are supplied as standard.

Proven quality for decades, brand name and market leader – often copied never equaled!

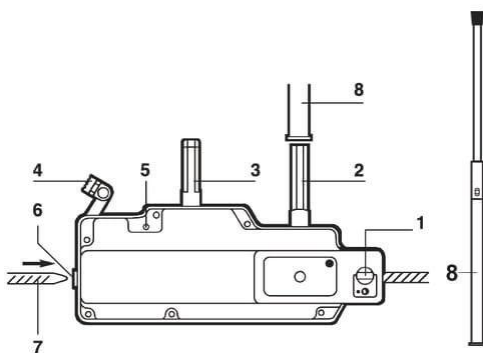
The Tirfor T series for standard applications

- Lightweight and easily portable
- Delivering safe and assured operation in any direction, either in a straight line or using diverter pulleys over an unlimited length
- Low-wear clamping jaws during demanding applications increasing the life of the wire rope
- Overload protection for safe and secure operation
- Fast and easy to install and use
- Working load can be increased by using sheave blocks
- Positioning loads with millimetre accuracy
- Secure release system
- Load capacity from 800 - 3200 kg
- Full range of accessories are available – sheave blocks, diverter pulleys, ground anchors and reelers





Tirfor T500 series: winch with lever


Model	WLL	Length (mm)	Height (mm)	Depth (mm)	Length with hook	Wire Rope Diameter (mm)	Lever In/Out (mm)	Movement Back (mm)	Movement Forward (mm)	Weight (kg)	Code
T508D	800	420	250	99	550	8.3	405 / 690	46	63	6.6	18109
T516D	1,600	523	315	127	650	11.5	650 / 1150	42	57	13.5	18119
T532D	3,200	620	355	130	840	16.3	650 / 1150	18	36	24	18129



1. Hook / anchor pin
2. Forward operating lever
3. Reverse operating lever
4. Rope release lever
5. Rope release safety catch
6. Rope guide
7. Wire rope
8. Telescopic operating handle

 Order products on day 1, will be shipped no later than day 2,

 Order products on day 1, will be shipped no later than day 6. Maximum quantities apply for this service.

 Available on request. Please enquire about delivery times of these items.

Tirfor TU series



TU8



TU16



TU32



The Tirfor TU series is developed for daily heavy-duty applications under the most extreme circumstances.

The Tirfor TU hoist is a versatile and portable multi-purpose manual hoist for lifting, pulling and positioning. It can be used for lifting and pulling, but also for lowering, tensioning and securing loads in all directions.

One-man operation by using the telescopic control lever supplied as standard. Spare shear pins for overload protection are supplied as standard.

Proven quality for decades, brand name and market leader – often copied never equalled!

TU range fully compliant with EN13157.

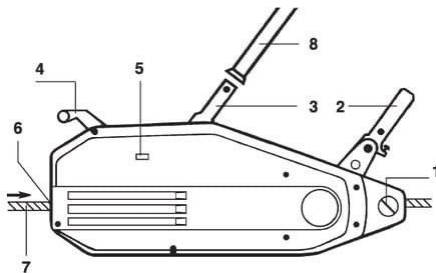


Tracinfo is our product information and documentation platform that gives you access to the documents you require wherever you are. Simply use a QR code reader to scan the identification label on the product or packaging to access a micro website specific to the product where you can download documents such as the User Manual or the Declaration of Conformity - direct to your phone, tablet or computer.

New – you can now also register the details of periodic inspections and maintenance work in Tracinfo and get automatic reminders when the next inspection is due.

- Lightweight and easily portable
- Delivering safe and assured operation in any direction, either in a straight line or using diverter pulleys over an unlimited length
- Low-wear clamping jaws during demanding applications increasing the life of the wire rope
- Overload protection for safe and secure operation
- Fast and easy to install and use
- Working load can be increased by using sheave blocks
- Positioning loads with millimetre accuracy
- Secure release system
- Load capacity from 800 - 3200 kg
- Full range of accessories are available – sheave blocks, diverter pulleys, ground anchors and reels

Model	WLL	Length (mm)	Height (mm)	Depth (mm)	Length With Hook	Wire Rope Diameter (mm)	Lever In/Out (mm)	Movement Back (mm) (kg)	Movement Forward (mm)
TU-8	800	527	265	108	-	70	76	8.4	18009
TU16	1,600	660	330	140	-	56	70	18	18029
TU32	3,200	676	330	156	860	30	48	27	18039



1. Hook / anchor pin
2. Forward operating lever
3. Reverse operating lever
4. Rope release lever
5. Rope release safety catch
6. Rope guide
7. Wire rope
8. Telescopic operating handle

Wire ropes for Tirfor

Wire rope is an integral component of every hoist and winch supplied by Tractel (except our chain hoists, of course). Selecting the correct wire rope and following a routine maintenance and inspection program will ensure that your hoists operate efficiently for many years.

Using the red strand wire rope in all of our manual and powered hoists will ensure the highest level of performance for your equipment. Red strand wire rope is specifically developed and constructed for use in Tractel products. Proper selection will ensure the maximum possible wire rope service life. This is a requirement in situations where the load can spin freely or when reelers are used.

Desired wire rope length and diameter size can be chosen to match your hoist.



Maxiflex red strand wire rope fitted with hook/shackle

Wire Rope Type	C8 - 5 strands with hook	C12 - 4 strands with hook	C16 - 4 strands with shackle
Description	∅ wire rope - 8.3mm for T-7/TU-8/T-508	∅ wire rope - 11.5mm for T-13/TU-16/T-516	∅ wire rope - 16.3mm for T-35/TU-32/T-532

Length	Code	Code	Code
10	1939	2039	487050
15	1949	2049	487090
20	1959	2059	487110
25	1969	2069	487130
30	1979	2079	487140
40	1989	2099	487170
50	1999	2119	487210
60	2009	2139	487220


Conicclamp wire rope clamp





Cable clamp for tensioning cables.

- From 1000 to 3000 kg
- Wire rope diameter from 5 to 21 mm

Model	Wire Rope Diameter (mm)	WLL	Weight (kg)	Product Code
EC 10	5 - 10	1,000	1,2	1269
EC 14	10.5 - 14	2,000	2,6	1289
EC 21	15 - 21	3,000	5,4	1309

 Order products on day 1, will be shipped no later than day 2.

 Order products on day 1, will be shipped no later than day 6. Maximum quantities apply for this service.

 Available on request. Please enquire about delivery times of these items.

Accessories for Tirfor



Shear pins for Tirfor

Tirfor are supplied with replacement overload shear pins which are located in the forward lever for the TU Series and in the wire rope release handle for the T500D. Additional shear pins are available and are sold individually.

Model	Product Code
shear pin for T508	29506
shear pin for T516	29516
shear pin for T532	41206
shear pin for TU8 & TU16	8836
shear pin for TU 32	6866



Ground screw anchor

The **Screw-In Ground Anchor** offers a fast and practical anchoring point for Tirfor hoists by simply screwing the anchor into soft ground. This solution is ideal for temporary setups, field operations, and rescue scenarios where conventional anchoring is not feasible.

Model	WLL (kg)	Product Code
HAB anchor for Tirfor TU8 / T508	800	3779
HAC anchor for Tirfor TU16 / T516	1,600	3789
HAD anchor for Tirfor TU32 / T532	3,200	3799



Ground anchor with pins

The **Ground Anchor with Pins** is a durable and reliable anchoring solution for use with Tirfor hoists. It consists of either two or three steel connecting plates combined with 8 or 12 pins, which are driven into the ground to create a stable anchor point. This system is ideal for professional lifting, pulling, and rescue operations where secure ground fixation is essential.


Model	Description	Weight (kg)	Product Code
Model 1	2 connecting plates with 8 pins and 3t shackle	36	13599
Model 2	3 connecting plates with 12 pins and 5t shackle	54	13609





Extension rope

Attach the extension rope to the Tirfor wire rope hook to have quick and easy additional wire rope length

Model	Product Code
Extension rope Ø 8 mm 1 m	187189
Extension rope Ø 11,5 mm 1 m	187199
Extension rope Ø 16 mm 1 m	187209

 Order products on day 1, will be shipped no later than day 2,

 Order products on day 1, will be shipped no later than day 6. Maximum quantities apply for this service.

 Available on request. Please enquire about delivery times of these items.

Hand hasp for wire rope

Reels for easy wire rope storage available for lengths from 25m to 100m

Model	Product Code
Size 1	909
Size 2	939



Drum reel for wire rope

Drum reel for easy handling of the long wire rope length.

Model	Product Code
reel No. 0 - small	889
reel No. 1 - standard	909
Reel No. 2 - medium	939
reel No. 3 - double	899
drum reel 200	878
drum reel 300	868
drum reel 400	858



Tirfor box

Model	Product Code
tirfor box for TU8 & T508	1408
tirfor box for TU16 & T516	1298
tirfor box for TU32 & T532	1228



Swivel hook

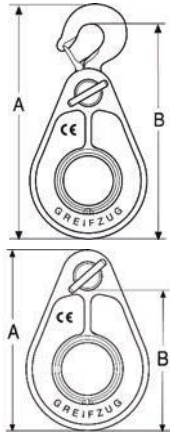
Model	Product Code
swivel hook for T508 rotatable	21857
swivel hook for T516 rotatable	21867
swivel hook for T532 & TU32, rotatable	21877



● Order products on day 1, will be shipped no later than day 2,

● Order products on day 1, will be shipped no later than day 6. Maximum quantities apply for this service.

○ Available on request. Please enquire about delivery times of these items.



Pulley UR

Model	WLL	Sheave Diameter (mm)	Wire Rope Diameter (mm)	Height A	Height B	Weight	Product Code
MCW 2.0W	2	160	10.4	270	228	4.2	87849
MCW 2.0W with hook	2	160	10.4	326	303	2.5	43549
MCW 2.0 M	2	160	10.4	330	298,5	4,15	292889
MC 3.2	3.2	140	12	250	200	2.4	3329
MC 3.2 - with hook	3.2	140	12	340	310	3.4	292899
MC 6.4	6.4	200	16.5	310	250	5.5	31629
MC 6.4 - with eye hook	6.4	200	16.5	480	430	9.5	292909



EC Snatch Block

Model	Sheave Diameter (mm)	Wire Rope Diameter (mm)	WLL	Weight (kg)	Product Code
EC1.6-100E9	80 / 100	8 - 9	1,600	2.2 kg	80689
EC3.2-160E12	132 / 160	10 - 12	3,200	4.8 kg	80699
EC5-200E15	160 / 200	13 - 15	5,000	9.3 kg	80709
EC8-250E18	210 / 250	16 - 18	8,000	19.4 kg	80719



EH Snatch Block

Model	Sheave Diameter (mm)	Wire Rope Diameter (mm)	WLL	Ø	Weight (kg)	Product Code
E303H	80 / 100	8 - 9	1,000	-	3	80869
E460H*	132 / 160	7.5 - 8.3	2,400	-	7	80969
E313H	132 / 160	10 - 12	2,000	-	8.5	80889
E323H	160 / 200	13 - 15	3,200	-	18	80909
E470H*	160 / 200	10 - 11.5	3,200	-	18	80989
E490H	160 / 200	13 - 15	5,000	-	17	81029
E333H	210 / 250	16 - 18	5,000	-	22	80929
E480H	275 / 336	14 - 16.3	6,400	-	34	81009
E347H	275 / 336	21 - 23	8,000	-	34	80949

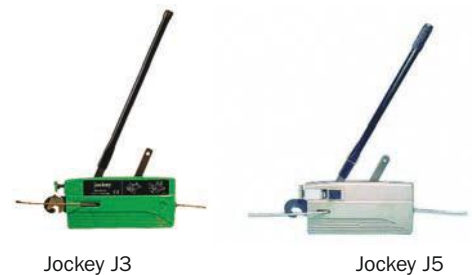


EGZ Snatch Blocks for Wire Rope Cables

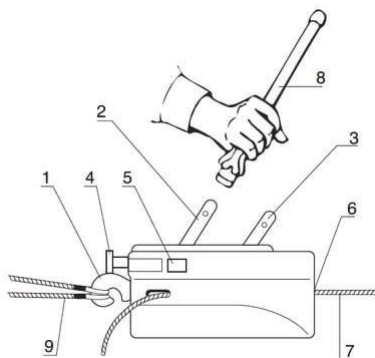
Model	Sheave Diameter (mm)	Wire Rope Diameter (mm)	WLL	Product Code
E303GZ	80 / 100	8 - 9	1,000	101829
E460GZ	132 / 160	7.5 - 8.3	2,400	101839
E313GZ	132 / 160	10 - 12	2,000	105629
E470GZ	160 / 200	10 - 11.5	4,800	101849
E323GZ	160 / 200	13 - 15	3,200	192859
E490GZ	160 / 200	13 - 15	5,000	192869
E333GZ	210 / 250	16 - 18	5,000	192879
E480GZ	275 / 336	14 - 16.3	6,400	101859
E347GZ	275 / 336	21 - 23	8,000	192889

Jockey lightweight wire rope hoists

- Light and compact
- Equipped with standard accessories
- Unlimited wire rope length
- Reliable and easy to use
- Working load can be increased by using sheave blocks




Model	WLL	Length (mm)	Height (mm)	Depth (mm)	Wire Rope Diameter (mm)	Movement Back (mm)	Movement Forward (mm)	Lever	Weight (kg)	Product Code
Jockey J3	300	320	200	40	4.7	28	32	400	1.75	5469
Jockey J5	500	310	215	55	6.5	24	34	500	3.75	5479





1. Hook / anchor pin
2. Forward operating lever
3. Reverse operating lever
4. Rope release lever
5. Side buttons
6. Rope guide
7. Wire rope
8. Operating handle
9. Anchor sling

Wire ropes for Jockey

Wire Rope Type	ø 6.5mm	ø 4.7mm
Description	for jockey™ J5	for jockey™ J3
Length	Code	Code
10	489520	5839
15	489540	4029
20	489550	4039
25	489560	4049
30	489570	4059
40	489590	4129
50	489610	4149
60	489620	4159

 Order products on day 1, will be shipped no later than day 2.

 Order products on day 1, will be shipped no later than day 6. Maximum quantities apply for this service.

 Available on request. Please enquire about delivery times of these items.

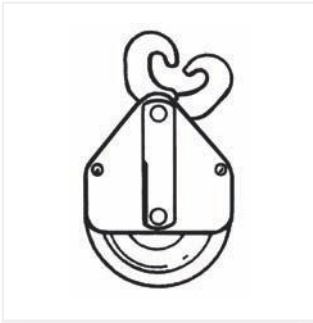
Jockey J3 set

Additional equipment for J3 for doubling the load capacity to 0.6 t or for rope deflection



Model	Product Code
Set pulley, sling & rope	13299

Pulley for Jockey




Model	Product Code
Pulley A03	7479


Ground anchor for Jockey




Model	Product Code
Ground anchor for jockey™	5589



 Order products on day 1, will be shipped no later than day 2,

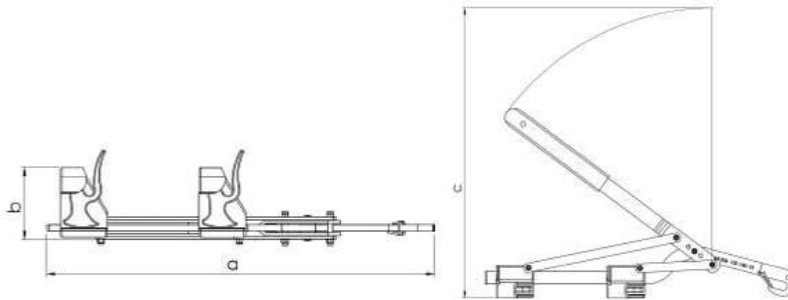
 Order products on day 1, will be shipped no later than day 6. Maximum quantities apply for this service.

 Available on request. Please enquire about delivery times of these items.

Tirvit rope tensioners

The Tirvit is hand-operated pulling wire tensioner. It is versatile, portable and multi-purpose, for both pulling and tensioning. The originality of the Tirvit universal wire tensioner, is the principle of operation directly on the wire rope, which passes through the mechanism rather than being reeled onto a drum of a hoist or conventional winch. The pull is applied by means of two pairs of self-energised jaws which exert a grip on the wire rope in proportion to the load being pulled. An operating lever transmits the effort to the jaw mechanism to forward movement of the wire rope.

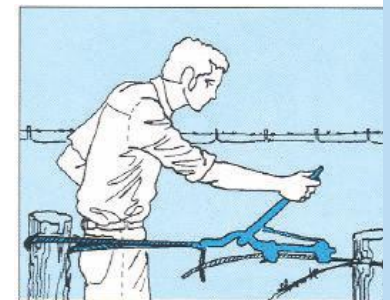
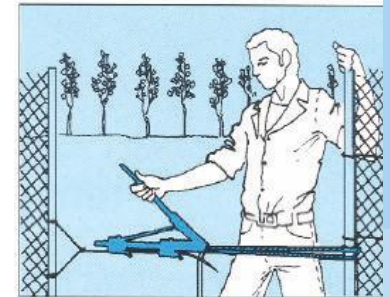
The universal wire tensioner, is fitted with a wire rope or chain, depending on the model, so that it can be secured quickly to any suitable anchor point.



Fast and easy tensioning of wire ropes such as electric transport cables, telephone cables and fence assembly. Also suitable for pulling loads. Not suitable for lifting.

- Complete with mounting chain
- Suitable for tensioning wire ropes
- Suitable for pulling loads

Model	Traction Resistance (kg)	Wire Rope Diameter (mm)	A	B	C	Rope Travel Forward/Reverse (mm)	Weight (kg)	Weight Without Anchor Cable	Product Code
F2	400	6 - 8	535	88	653	140	4	3,6	1029
F3	600	7 - 15	625	110	730	135	5,2	4,75	1039
F4	800	14 - 18	625	115	720	145	6,2	5,7	1049



Tirvit tension clamp

Tension clamp with shackle

- Complete with bow shackle
- Spring-loaded wire rope clamping jaws
- Lightweight enclosure

Model	Traction Resistance kg)(Wire Rope Diameter (mm)	Product Code
G2	400	6 - 8	1018
G3	600	7 - 15	1028
G4	800	14 - 18	1038



Order products on day 1, will be shipped no later than day 2,

Order products on day 1, will be shipped no later than day 6. Maximum quantities apply for this service.

Available on request. Please enquire about delivery times of these items.

Bravo lever hoists

The Bravo is a manual lever hoist purpose-built for lifting and tensioning operations. Designed with Tractel's "Desynchronise double brake systems" mechanism, it introduces a unique desynchronised two-click cycle that enhances grip security and reduces the risk of veering during steel rope tensioning.

Available in models from 0.25 t to 9 t W.L.L., the unit features a coated load chain, removable safety-latched hooks with 360° rotation, and a compact design optimised for confined environments. It is mechanically tested to 1.5× static and 1.1× dynamic load ratings and complies with EU Directive 2006/42/CE and EN13157+A1:2009 conformity

Its low handle effort, minimal hook clearance, and availability in multiple lift heights make it a reliable solution for site work, industrial rigging, and specialist lifting tasks. A load limiter is optionally available on models from 0.5 t upwards.



Bravo lever hoists



WLL	Lifting Height	Number of Falls	Load Chain (mm)	With silver Corolim chain	With black chain
				Code	Code
0.5	1.5 m	1	5 x 15	244029	245649
0.75	1.5 m	1	6 x 18	244039	245659
1 t	1.5 m	1	6 x 18	244049	245669
1.5	1.5 m	1	7 x 21	244059	245679
3 t	1.5 m	1	10 x 30	244069	245689
6	1.5 m	2	10 x 30	244079	245699
9	1.5 m	3	10 x 30	244089	245709

Bulk chain to suit, per metre

Model	Chain Diameter	Silver Corolim Chain	Black Chain
		Code	Code
load chain, per metre	5 x 15 mm	466440	27521
hand chain, per metre	5 x 24 mm	466480	14941
load chain, per metre	6 x 18 mm	466450	27531
load chain, per metre	7 x 21 mm	473590	27541
load chain, per metre	8 x 24 mm	466460	27551
load chain, per metre	10 x 30 mm	466470	27561
hand chain, per metre	2.5 x 14.5 mm	19991	
load chain, per metre	4 x 12 mm	8301	

Bravo lever hoists with load limiter

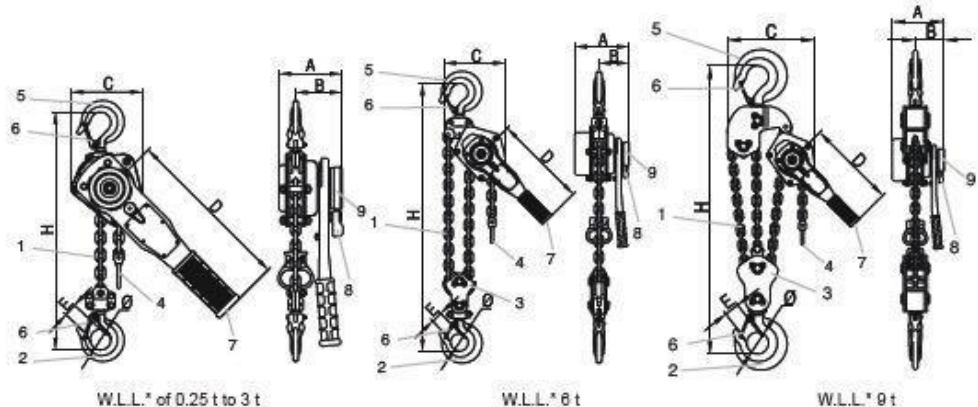


Equipped with a dynamic load limiter adjusted between 1.1 and 1.9 × WLL. The load limiter mechanism is integrated in the lever and is formed by friction disks and a clamping nut by which the limiter is adjusted. This adjustment is performed by Tractel.

WLL	Lifting Height	Number of Falls	Load Chain (mm)	With silver Corolim chain	With black chain
				Code	Code
0.5	1.5	1	5 x 15	249989	248009
0.75	1.5	1	6 x 18	244169	248019
1	1.5	1	6 x 18	244179	248029
1.5	1.5	1	7 x 21	244189	248039
3	1.5	1	10 x 30	244199	248049
6	1.5	2	10 x 30	244209	248059
9	1.5	3	10 x 30	244219	248069

Bravo lever hoists dimensions & key components

1. Load chain
2. Lifting hook
3. Sheaved lifting hook
4. Low limit stop
5. Suspension hook
6. Safety catch
7. Actuating handle
8. Selector lever
9. Load wheel



WLL	A	B	C	D	E	Ø	Hook Distance	Max effort of the handle (daN)	Weight (kg)
0.25	102,5	77	75	157	20	28	230	28	2,1
0.5	107	78	121	288	22	35	305	50	5
0.75	149	89	125	268	23	37	315	30	7
1	149	89	125	268	27	40	320	37	7.3
1.5	175	101	146	368	29	45	365	47	11.5
3	205	114	191	348	39	55	480	45	21.4
6	205	114	229	348	44	68	610	47	30.2
9	205	114	341	348	58	85	800	48	56.1

All dimensions in mm.



Order products on day 1, will be shipped no later than day 2,



Order products on day 1, will be shipped no later than day 6. Maximum quantities apply for this service.



Available on request. Please enquire about delivery times of these items.

Bravo AC Aluminium Lever Hoists

250 kg - 500 kg



The Bravo AC is a manually operated lever hoist designed for lifting and pulling applications up to 500 kg. Its lightweight aluminium casing makes it ideal for tasks requiring portability and minimal physical strain, such as in maintenance, utilities, and confined space operations.

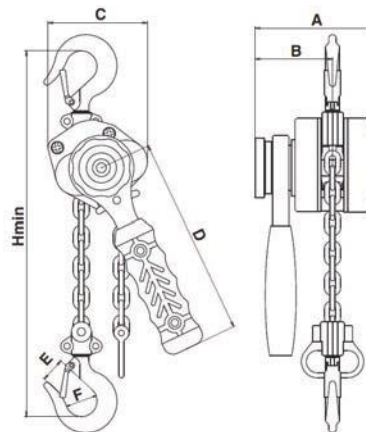
Available in 250 kg and 500 kg models, the hoist features a painted finish, coated load chain, and 360° rotating hooks with safety latches and W.L.L. markings. It is mechanically tested to 1.5x static and 1.1x dynamic loads, with a minimum strength of 4x W.L.L. The standard lifting height is 1.5 m and 3 m.

Compact and efficient, the Bravo AC supports one-hand operation and is particularly suited for temporary or mobile lifting setups. It meets the essential requirements of the EU Machinery Directive 2006/42/CE, UKCA regular, DIN XXXX and EN13157+A1:2009 conformity.

Model	WLL	Lifting Height	Load Chain (mm)	Weight (kg)	Product Code
Bravo AC 250 kg	0.25 t	1.5	4 x 12	2.1	251129
Bravo AC 250 kg	0.25 t	3	4 x 12	2.6	251139
Bravo AC 500 kg	0.5 t	1.5	5 x 15	3	251149
Bravo AC 500 kg	0.5 t	3	5 x 15	3.8	251159

Bravo AC lever hoists dimension & key components

250 kg - 500 kg



WLL	A	B	C	D	E	Ø	Hook Distance (mm)	Max effort of the handle (daN)
0.25 t	94.5	59.5	84	163	24		230	20.6
0.5 t	100	61	99	163	24		265	25.5

All dimensions in mm.



Order products on day 1, will be shipped no later than day 2.



Order products on day 1, will be shipped no later than day 6. Maximum quantities apply for this service.



Available on request. Please enquire about delivery times of these items.

Accessories for Bravo

Chain Locking Device



The Chain Locking Device (CLD) delivers adjustable low limit stop functionality for bravo lever hoists during load lowering operations. Compatible with COROLIM grey and black chains, this essential safety accessory supports load lifting, load pulling, and rope tensioning applications across industrial environments requiring precise load positioning control.

Engineered with robust construction, the CLD attaches securely to chain ends using CHC screws and self-locking nuts whilst sliding and locking automatically as close as possible to the hoist structure. The device withstands 2.5 times the working load limit without failure, ensuring compliance with EN13157 standards for single-fall and multi-fall hoist configurations.

Industrial applications include construction, manufacturing, and materials handling operations where controlled load positioning is critical for safety and precision. The CLD adapts to all bravo lever hoists manufactured by Tractel, with compatibility extending to tralift chain hoists for load lifting applications only. Available in four sizes to accommodate various chain dimensions from Ø4x12mm to Ø10x30mm.

Model	Product Code
250 kg and 500 kg	196438
750 kg and 1 ton	196448
1.5 ton	196458
3.6 ton and 9 ton	196468



Manual chain hoists

EN13157



The Tralift Manual Chain Hoist is a hand-operated lifting device used for raising, lowering, or maintaining a load on a chain. Built from high-quality materials, the Tralift is compact, lightweight, and easy to install - ideal for on-site use where portability and dependability are essential.

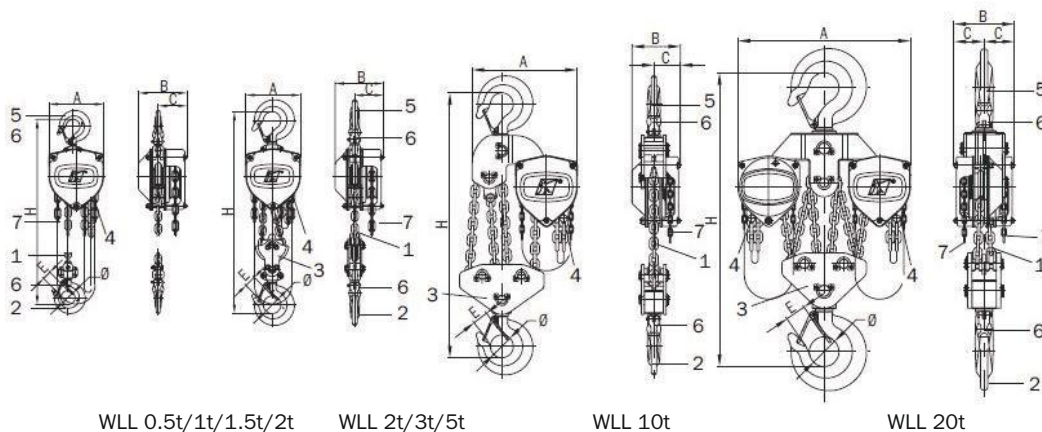
Each unit features a load chain, hand chain, and 360° rotating hooks with safety latches. Designed to exceed EU Machine directive, the hoist undergoes dynamic and static testing at 1.1 and 1.5 times the Working Load Limit (W.L.L.) respectively, with a minimum mechanical strength of 4 x W.L.L.

Available from 0.25 t to 20 t capacities and lifting heights up to 6 m (standard; other lifting heights on request), Tralift hoists are used in industrial maintenance, construction, rigging, and utilities. Optional accessories include dynamic load limiters and chain storage bags, and models can be mounted to fixed points or moving trolleys.

Tralift dimensions and key components

EN13157

1. Load chain
2. Lifting hook
3. Pulley block
4. Low limit stop
5. Suspension hook
6. Safety catch
7. Hand chain



WLL	A	B	C	D	Ø	Hook Distance (mm)	Weight (kg)
0.25	100	110	58	20	28	230	3,7
0.5	132	117.5	70.5	22	35	330	9
1	156	139	83.5	27	40	380	12.4
1.5	178	154	87	29	45	430	16.5
2	196	156.5	89.5	33	50	470	19.6
2	156	139	83.5	33	50	520	17.2
3	178	154	87	39	55	600	24.2
5	229	180	99	44	68	700	42
10	391	180	99	58	85	920	85.1
20	641	224	112	77	110	1,060	165.1

All dimensions in mm.



Order products on day 1, will be shipped no later than day 2.



Order products on day 1, will be shipped no later than day 6. Maximum quantities apply for this service.



Available on request. Please enquire about delivery times of these items.

Tralift manual chain hoists

EN13157



WLL	Lifting Height	Number of Falls	Load Chain (mm)	Hand Chain (mm)	With silver Corolim chain	With black chain
					Code	Code
0.5	3	1	5 x 15	5 x 24	272269	272989
1	3	1	6 x 18	5 x 24	272279	272999
1.5	3	1	7 x 21	5 x 24	272289	273009
2	3	1	8 x 24	5 x 24	272309	273019
2	3	2	6 x 18	5 x 24	272299	273029
3	3	2	7 x 21	5 x 24	272319	273039
5	3	2	10 x 30	5 x 24	272329	273049
10	3	4	10 x 30	5 x 24	272339	273059
0.25	3	1	4 x 12	2.4 x 14	56429	

Tralift manual chain hoists with load limiter

WLL	Lifting Height	Number of Falls	Load Chain (mm)	Hand Chain (mm)	With silver Corolim chain	With black chain
					Code	Code
0.5	3	1	5 x 15	5 x 24	272629	273349
1	3	1	6 x 18	5 x 24	272639	273359
1.5	3	1	7 x 21	5 x 24	272649	273369
2	3	1	8 x 24	5 x 24	272669	273379
2	3	2	6 x 18	5 x 24	272659	273389
3	3	2	7 x 21	5 x 24	272679	273399
5	3	2	10 x 30	5 x 24	272689	273409
10	3	4	10 x 30	5 x 24	272699	273419

Bulk chain to suit, per metre

Model	Chain Diameter	Silver Corolim Chain	Black Chain
		Code	Code
load chain, per metre	5 x 15 mm	466440	27521
hand chain, per metre	5 x 24 mm	466480	14941
load chain, per metre	6 x 18 mm	466450	27531
load chain, per metre	7 x 21 mm	473590	27541
load chain, per metre	8 x 24 mm	466460	27551
load chain, per metre	10 x 30 mm	466470	27561
hand chain, per metre	2.5 x 14.5 mm	19991	
load chain, per metre	4 x 12 mm	8301	

Stainless steel manual chain hoists

Tralift Cleantech

Tralift Cleantech is a hand-operated chain hoist engineered for lifting and lowering suspended loads in hygiene-critical or corrosive environments. All load-bearing components are manufactured in stainless steel, making it suitable for cleanrooms, the food industry, and coastal or dusty conditions.

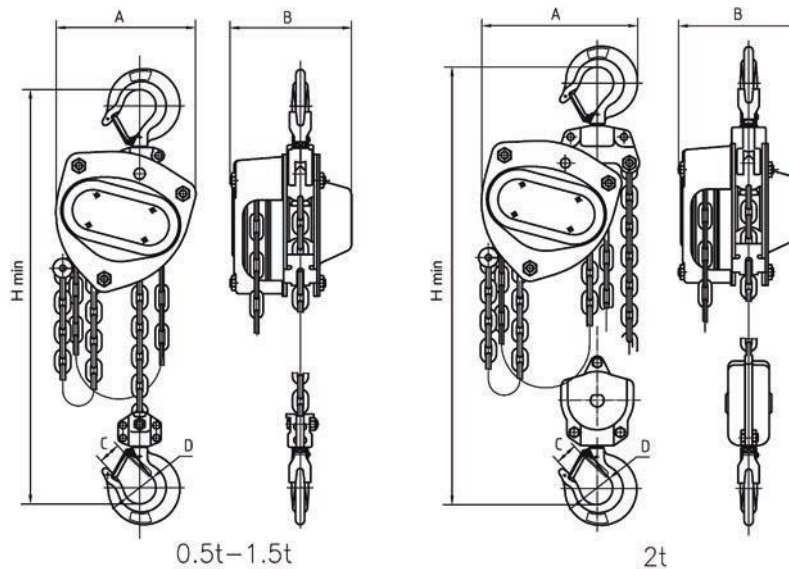
The unit features 360° rotating hooks with safety latches, a standard lifting height of 3 m, and a high-performance food-grade grease (Mobilgrease FM 222). It is available in 0.5 t, 1 t, and 2 t capacities, with mechanical performance validated through dynamic (1.1× WLL) and static (1.5× WLL) testing. The hoist achieves a mechanical strength of 4× WLL.

Compact and robust, Tralift Cleantech can be suspended from fixed points or mounted to compatible beam trolleys such as the Corso Cleantech. Its sealed and corrosion-resistant design helps maintain safety and hygiene in challenging industrial environments.



WLL	Lifting Height	Number of Falls	Load Chain (mm)	Hand Chain (mm)	Product Code
0.5 t	3	1	6 x 18	5 x 23.3	294899
1 t	3	1	7 x 21	5 x 23.3	294909
2 t	3	2	7 x 21	5 x 23.3	294919

Tralift Cleantech dimensions and key components



WLL	Number of Falls	A	B	C	D	Hook Distance (mm)	effort on the hand chain	Load Chain (mm)	Hand Chain (mm)	Weight (kg)
0.5 t	1	172	151	26	40	376	15	6 x 18	5 x 23.3	13
1 t	1	172	151	26	40	376	31	7 x 21	5 x 23.3	14
2 t	2	192	151	34	50	425	34	7 x 21	5 x 23.3	21

Accessories for Tralift Cleantech

Corso Cleantech

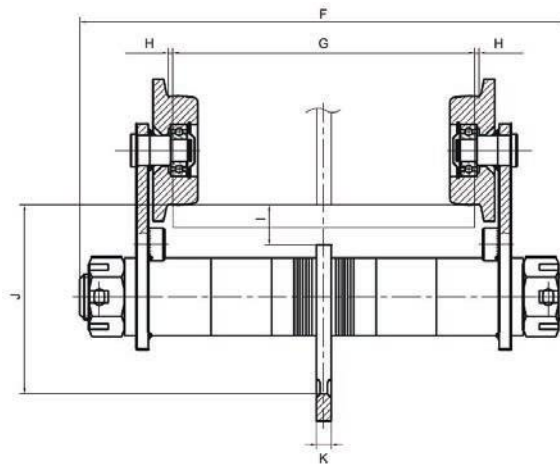
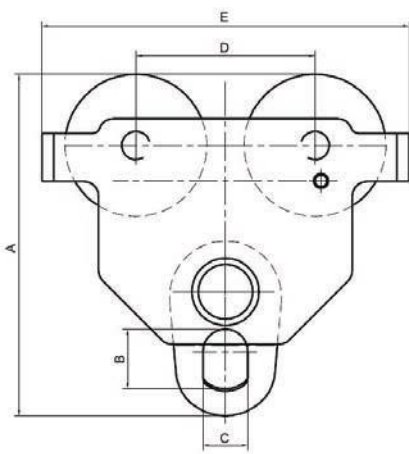
The Corso Cleantech is a manually operated push trolley engineered for moving suspended loads in hygiene-sensitive or aggressive environments. Constructed entirely from stainless steel, it is ideal for food, pharmaceutical, cosmetic, and cleanroom applications where corrosion resistance and cleanliness are essential.

Key components, including side plates, wheels, spacers, and anchor points, are all stainless steel. The trolley uses high-performance food-compatible grease (Mobilgrease FM 222) and incorporates safety features such as end stops and fall arrest devices. It meets EN 13157+A1 and relevant EU and UK machinery regulations.

Available in 0.5 t, 1 t, and 2 t models, the Corso Cleantech offers smooth, adjustable movement on a wide range of beam widths. It is designed to integrate seamlessly with lifting devices such as the Tralift Cleantech hoist and withstands both dynamic and static tests up to 1.5x WLL and has a mechanical strength of 4x W.L.L.



Model	A	B	C	D	E	F	G	H	I	J	K	Min.Radius (mm)	Weight (kg)	Product Code
Corso Cleantech 0,5t	187	32	25	100	199	245	50-152	1.5-3	29.5	104	8	1000	5,8	294869
Corso Cleantech 1t	229	40	30	120	246	327	64-203	1.5-3	27	127	10	1000	12	294879
Corso Cleantech 2t	268	52	38	132	276	345	88-203	1.5-3	27	150	12	1100	19,5	294889



Stainless steel manual chain hoists

Tralift Duratech

The Tralift Duratech is a hand-operated manual chain hoist designed to lift and hold suspended loads in environments where the lifting chain may contact aggressive or dirty substances. With stainless steel load chain and hooks, it is ideal for use in corrosive or hygiene-sensitive applications.

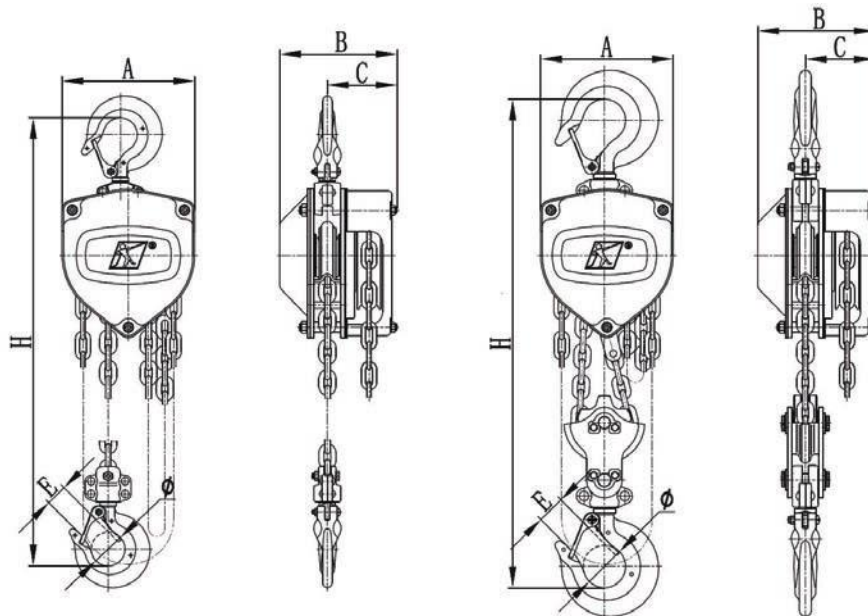
Available in 0.5 t, 1 t and 2 t capacities with a standard lifting height of 3 m, the unit features an integrated braking system, galvanised operating chain, and blue epoxy-painted body. Hooks rotate 360° and are equipped with safety latches. Every hoist is statically and dynamically tested to 1.5× and 1.1× W.L.L., respectively, and has a mechanical strength of 4× W.L.L.

Typical applications include the chemical industry, wastewater treatment, vineyards, and other environments requiring corrosion-resistant handling. The hoist can be mounted to fixed or mobile anchor points such as Corso



WLL	Lifting Height	Number of Falls	Load Chain (mm)	Hand Chain (mm)	Code standard lifting height 3m	Code lifting height 1 m	Stainless steel load chain per m	Hand chain per m
0.5 t	3	1	6 x 18	5 x 24	299169	299199	288027	238347
1 t	3	1	7 x 21	5 x 24	299179	299209	288037	238347
2 t	3	2	7 x 21	5 x 24	299189	299219	288047	238347

Tralift Duratech dimensions and key components



WLL	Number of Falls	A	B	C	Ø	Hook Distance (mm)	effort on the hand chain	Load Chain (mm)	Hand Chain (mm)	Weight (kg)
0.5 t	1	156	139	26	40	350	36.5	6 x 18	5 x 24	12.4
1 t	1	178	154	26	40	400	40.3	7 x 21	5 x 24	16.5
2 t	2	178	154	34	50	550	40.3	7 x 21	5 x 24	24.2

All dimensions in mm.

CaRol wire rope drum winches

The caRol TS Series consists of manual worm gear winches designed for vertical lifting and tensioning tasks. Built with a rigid chassis and variable-length crank, the series offers models ranging from 250 kg to 3,000 kg W.L.L. It is ideal for workshops, construction, and fixed industrial installations requiring secure load control.

Key features include a self-locking worm gear system, automatic pawl brake with stainless steel spring, and a safety mechanism that prevents drum disengagement under load. The winches are compliant the Machinery Directive 2006/42/CE, and all models are protected by removable ergonomic covers for safe access and maintenance.

From compact, easily transportable 250 kg models with crank handles to high-capacity 3,000 kg winches with extended lever operation, the caRol TS Series provides reliable mechanical performance for frequent or occasional use.



caRol TS series



Model	WLL*	Wire Rope Diameter (mm)	Max effort of the handle (kg)	Rope Capacity (m)	Rope Length Always Wrapped On The Drum (m)	Dimensions (mm)	Weight (kg)	Product Code
TS 250	250	5	11	15	0,6	206 x 140 x 142	9.5	23818
TS 500	500	7	14	18	0,7	233 x 162 x 175	15	23828
TS 1000	1,000	9	14	30	1,0	322 x 302 x 302	38	23838
TS 1500	1,500	11.5	14	23	1,0	370 x 350 x 330	41.5	23848
TS 2000	2,000	13	14.5	17	1,2	420 x 356 x 390	70	23858
TS 3000	3,000	16	15	18.5	1,7	530 x 480 x 450	150	23868

*WLL on the first and the last layer

caRol TR series



Model	WLL*	Wire Rope Diameter (mm)	Max effort of the handle (kg)	Rope Capacity (m)	Rope Length Always Wrapped On The Drum (m)	Dimensions (mm)	Weight (kg)	Product Code
TR 300	300	5	12.5	38	0,75	249 x 124 x 190	15,5	23778
TR 500	500	7	12.5	18	0,75	249 x 162 x 175	16	23788
TR 1000	1,000	9	14.5	30	1,00	410 x 180 x 305	44.5	23798
TR 2000	2,000	13	16.5	25	1,20	510 x 248 x 360	80	23808

*WLL on the first and the last layer

CaRol Duratech

Manual drum winch with stainless steel wire rope

The caRol Duratech Winch is a manually operated drum winch engineered for material lifting in environments where corrosion resistance and compact design are critical. It is intended for permanent wall-mounted installations or temporary use with compatible anchor points such as Tracpode, Tracpode Pro or Davitrac.(only lifting operation)

Available in 150 kg and 250 kg capacities, the winch features a painted steel chassis and drum, stainless steel rope, thimble, and swivel hook, along with protective covers for user and component safety. The 250 kg version includes a variable-length crank and dual braking system with worm gear and ratchet brake; the 150 kg version features a safety ratchet brake.

Designed for industrial applications including chemical plants, wastewater treatment, and confined space work, the caRol Duratech Winch ensures safe operation through overload-tested construction, CE/UKCA compliance, and built-in QR code traceability.

CaRol Duratech 250 equipped with 20m stainless steel wire rope



- WLL up 250 kg
- Length: 20 m
- Wire rope in stainless steel
- Swivel hook in stainless steel
- Full capacity on all layers of wire rope
- System to release the drum when unloaded
- Automatic brake
- Ergonomic, adjustable and removable crank

Model	WLL (kg)	Wire Rope Diameter (mm)	Max Effort of the Handle (kg)	Rope Capacity (m)	Rope Length always wrapped on the drum (m)	Dimensions (mm)	Weight (kg)	Product Code
caRol Duratech 250	250	4.7	9	20	0.6	217 x 202 x 150	13.2	299229

CaRol Duratech 150 equipped with 12m stainless steel wire rope



- WLL up 150 kg
- Length: 12 m
- Wire rope in stainless steel
- Swivel and lifting hook in stainless steel
- Full capacity on all layers of wire rope
- Automatic brake
- Ergonomic crank

Model	WLL (kg)	Wire Rope Diameter (mm)	Max Effort of the Handle (kg)	Rope Capacity (m)	Rope Length always wrapped on the drum (m)	Dimensions (mm)	Weight (kg)	Product Code
caRol Duratech 150	150	4.7	17	12	0.5	184 x 156 x 159	5.2	218498

Anti spin wire ropes for CaRol drum winches

Model	Wire Rope Diameter (mm)	Length (m)	Product Code
wire rope kit Ø 4 mm, length 10 m	4	10	26419
wire rope Ø 4 mm, additional metre	4	1	270067

Model	Wire Rope Diameter (mm)	Length (m)	Product Code
wire rope kit Ø 5 mm, length 10 m	5	10	26449
wire rope kit Ø 5 mm, length 20 m	5	20	26459
wire rope kit Ø 5 mm, length 30 m	5	30	26469
wire rope Ø 5 mm additional metre	5	1	270007

Model	Wire Rope Diameter (mm)	Length (m)	Product Code
wire rope kit Ø 6 mm, length 10 m	6	10	279939
wire rope Ø 6 mm, additional metre	6	1	270077

Model	Wire Rope Diameter (mm)	Length (m)	Product Code
wire rope kit Ø 7 mm, length 10 m	7	10	26479
wire rope kit Ø 7 mm, length 20 m	7	20	26489
wire rope kit Ø 7 mm, length 30 m	7	30	26499
wire rope Ø 7 mm, additional metre	7	1	270017


Model	Wire Rope Diameter (mm)	Length (m)	Product Code
wire rope kit Ø 8 mm, length 10 m	8	10	26509
wire rope kit Ø 8 mm, length 20 m	8	20	26519
wire rope kit Ø 8 mm, length 30 m	8	30	26529
wire rope Ø 8 mm, additional metre	8	1	270087


Model	Wire Rope Diameter (mm)	Length (m)	Product Code
wire rope kit Ø 9 mm, length 10 m	9	10	26539
wire rope kit Ø 9 mm, length 20 m	9	20	26549
wire rope kit Ø 9 mm, length 30 m	9	30	26559
wire rope Ø 9 mm, additional metre	9	1	270027


Model	Wire Rope Diameter (mm)	Length (cm)	Product Code
wire rope kit Ø 11,5 mm, length 10 m	11.5	10	26569
wire rope kit Ø 11,5 mm, length 20 m	11.5	20	26579
wire rope kit Ø 11,5 mm, length 30 m	11.5	30	26589
wire rope Ø 11,5 mm additional metre	11.5	1	270037

Model	Wire Rope Diameter (mm)	Length (cm)	Product Code
wire rope kit Ø 13 mm, length 10 m	13	10	26599
wire rope kit Ø 13 mm, length 20 m	13	20	26609
wire rope kit Ø 13 mm additional metre	13	1	270047

Model	Wire Rope Diameter (mm)	Length (cm)	Product Code
wire rope kit Ø 16 mm, length 10 m	16	10	26629
wire rope kit Ø 16 mm additional metre	16	1	270057

 Order products on day 1, will be shipped no later than day 2,

 Order products on day 1, will be shipped no later than day 6. Maximum quantities apply for this service.

 Available on request. Please enquire about delivery times of these items.



Minifor

High performance portable electric rope hoists, for work at any height

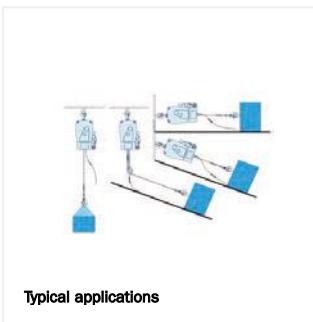


The operating principle

The drive system consists of a traction sheave whose groove has a special profile: the wire rope is clamped by two pre-tensioned pressure rollers under the action of the load. A pre-tensioned spring acts on these rollers and maintains the grip on the rope, even when there is no load. In addition to the effect of the pre-tensioned spring, the clamping action exerts a pressure which is in proportion to the load.

Properties:

- Loads of 100 kg to 1100 kg possible
- Quick and simple to install
- 3phase current or alternating current
- With operation using a pendant control or radio remote control
- Galvanized wire rope Ø 6.5 mm



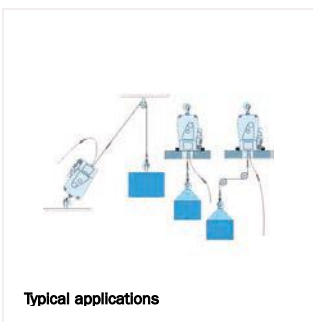
Typical applications

Safety:

- IP 65
- Safety swivel hook
- Securing of rope exit by an integrated limit switch
- Overload protection through thermal switch (bimetal sensor)

Advantages:

- Integrated handle
- Simple suspension from a hook
- Robust aluminium housing
- No loss of speed & load bearing capacity
- No limitation in rope length
- Compact & light
- Easy handling due to rapid limit switch assembly
- Powerful motor



Typical applications

Minifor TR series

Minifor offers a compact, portable motorised solution for lifting, pulling and positioning loads

- Unlimited wire rope length and therefore unlimited lifting height
- WLL from 110 kg to 1100 kg
- Compact, manageable and low self-weight.
- Unique lifting capacity/self-weight ratio.
- Handle for easy carrying
- Power supply 115V and 230V Single or 400V 3 Phase
- Wire rope or kernmantle textile rope version.
- Quick and easy installation and includes a swivel eye hook
- In conformity with Machinery Directive 98/37/EC and the European EN 292 standard.
- WLL increased by using optional sheaving kit
- Upper and lower limit switches
- Optional reelers
- Optional remote control with range up to 500 m
- IP55 protection



Minifor with pendant control

Model	WLL	Lifting Speed(m/min)	Voltage (V)	Number of Phases	Power (kW)	Weight (kg)	Product Code
TR10	100	15	110	1 (monophased)	0.37	32	102989
TR10	100	15	230	1 (monophased)	0.32	21	42789
TR30	300	5	110	1 (monophased)	0.37	32	102999
TR30	300	5	230	1 (monophased)	0.32	21	42889
TR30S	300	13	110	1 (monophased)	1.1	32	106009
TR30S	300	13	230	1 (monophased)	1.1	32	42989
TR30S	300	13	400	3 (triphased)	1.1	28	44779
TR50	500	7	110	1 (monophased)	1.1	32	106019
TR50	500	7	230	1 (monophased)	1.1	32	44849
TR50	500	7	400	3 (triphased)	1.1	28	44899

Minifor with radio remote control

Radio control long range

Model	WLL	Lifting Speed (m/min)	Voltage (V)	Number of Phases	Power (kW)	Weight (kg)	Product Code
TR10	100 kg	15	230	1 (monophased)	0,37	24	42799
TR30	300 kg	5	110	1 (monophased)	0.37	32	58729
TR30	300 kg	5	230	1 (monophased)	0,37	24	42899
TR30S	300 kg	13	230	1 (monophased)	1,1	37	44759
TR30S	300 kg	13	400	3 (triphased)	1,1	33	44789
TR50	500 kg	7	110	1 (monophased)	1.1	32	58909
TR50	500 kg	7	230	1 (monophased)	1,1	37	44879
TR50	500 kg	7	400	3 (triphased)	1,1	34	44919
TR55	550 kg	7	230	1 (monophased)	1,1	32	286879
TR55	550 kg	7	400	3 (triphased)	1,1	32	286899
TR110	1,100	3.5	230	1 (monophased)	1,1	32	286919



● Order products on day 1, will be shipped no later than day 2,

● Order products on day 1, will be shipped no later than day 6. Maximum quantities apply for this service.

○ Available on request. Please enquire about delivery times of these items.

Minifor with pendant control and drum reel

Model	WLL (kg)	Reel Length (m)	Lifting Speed (m/min)	Volts (V)	Number of Phases	Power (kW)	Weight (kg)	Product Code
TR10	100	20	15	230	1 (monophased)	0.32	33	42829
TR10	100	27	15	230	1 (monophased)	0.32	39	42849
TR10	100	40	15	230	1 (monophased)	0.32	51	106299
TR30	300	20	5	230	1 (monophased)	0.32	33	42929
TR30	300	27	5	230	1 (monophased)	0.32	39	42949
TR30	300	40	5	230	1 (monophased)	0.32	51	106309
TR30	300	40	5	110	1 (monophased)	0.37	51	108409

Excluding maxiflex wire rope

Minifor with radio remote control and drum reel

Model	WLL (kg)	Reel Length (m)	Lifting Speed (m/min)	Volts (V)	Number of Phases	Power (kW)	Weight (kg)	Product Code
TR10	100	20	15	230	1 (monophased)	0.32	33	42839
TR10	100	27	15	230	1 (monophased)	0.32	39	42859
TR10	100	40	15	230	1 (monophased)	0.32	51	106269
TR30	300	20	5	230	1 (monophased)	0.32	33	42939
TR30	300	27	5	230	1 (monophased)	0.32	39	42959
TR30	300	40	5	230	1 (monophased)	0.32	51	106279

Excluding maxiflex wire rope



Order products on day 1, will be shipped no later than day 2,

Order products on day 1, will be shipped no later than day 6. Maximum quantities apply for this service.

Available on request. Please enquire about delivery times of these items.

Minifor TR series accessories



Sheaving Kit for Minifor Series

Model	Product Code
sheaving kit TR10/TR30 with safety hook	217897
Sheaving kit TR30S/TR50 with safety hook	217887
Sheaving Kit SY MPM	217877



ELC - ELS pulleys


- For temporary cable lifting
- Allows quick assembly/disassembly or configuration changes


Model	Description	Sheave Diameter (mm)	Wire Rope Diameter (mm)	WLL	Weight (kg)	Product Code
ELC1-70E7	equipped with safety clasp	55	6.5 - 7	1,000	1.6	252209
ELS1-70E7	equipped with safety hook	55	6.5 - 7	1,000	1.8	252259




Box for Minifor Minifor accessories

Model	Product Code
Box for Minifor with rope - 580x375x355	60665
Box for Minifor TR 10/TR 30	60485
Box for Minifor TR 30S/TR 50	102715

 Order products on day 1, will be shipped no later than day 2,

 Order products on day 1, will be shipped no later than day 6. Maximum quantities apply for this service.

 Available on request. Please enquire about delivery times of these items.

OPTION: pendant control

(standard 2.5m)

If you require a different length to the standard 2.5 m, please order using the below Product Codes in addition to the Minifor Product Code. Your product will be equipped with the requested length at the factory.

Model	Product Code
4 m	112567
5 m	112577
6 m	112587
7 m	112597
8 m	112607
9 m	112617
10 m	112627
11 m	112637
12 m	112647
13 m	112657
14 m	112667
15 m	112677
16 m	112687
17 m	112697
18 m	112707
19 m	112717
20 m	112727
25 m	112737

Control cable extension

Model	Product Code
Control cable extension with Harting plug 10 m	106287
Control cable extension with Harting plug 15 m	112347
Control cable extension with Harting plug 20 m	113197



OPTION: pluggable pendant control

If you require a different length to the standard 2.5 m, please order using the below Product Codes in addition to the Minifor Product Code. Your product will be equipped with the requested length at the factory.

Model	Product Code
4 m	112797
5 m	112807
6 m	112817
7 m	112827
8 m	112837
9 m	112847
10 m	112857
11 m	112867
12 m	112877
13 m	112887
14 m	112897
15 m	112907
16 m	112917
17 m	112927
18 m	112937
19 m	112947
20 m	112957
25 m	112967

Pendant Extension

Model	Product Code
10 m pendant extension with Harting connector	463340
20 m pendant extension with Harting connector	463250
30 m pendant extension with Harting connector	463330



Wire rope for minifor (Ø 6,5 mm)

Minifor accessories

Model	Length (m)	Product Code
Red strand wire rope 10 m	10	108749
Red strand wire rope 20 m	20	60999
Red strand wire rope 30 m	30	61009
Red strand wire rope 40 m	40	61989
Red strand wire rope 50 m	50	61019
Red strand wire rope 60 m	60	61029
Red strand wire rope 100 m	100	61049
Additional price per metre	1	495500
Fitting tip hook for red strand wire rope Ø 6,5 mm	-	185999

Limit springs

The limit spring activates the upper and lower limit switches.

Model	Product Code
limit spring rope Ø 6,5 mm	22217

Wire rope counterweight

A wire rope counterweight is needed to ensure the wire rope tension for wire ropes with length bigger than 80 m.

Model	Product Code
Rope mass (rope > 80 m)	49005

Reels

Reels are intended to store the wire rope when it isn't in use.

Model	Product Code
Hand reel for wire ropes up to 50 m	889
Drum reel for wire ropes up to 50 m	22107
Drum reel for wire ropes up to 200 m	878



Order products on day 1, will be shipped no later than day 2,



Order products on day 1, will be shipped no later than day 6. Maximum quantities apply for this service.



Available on request. Please enquire about delivery times of these items.

Minifor™ SY Series

Portable synthetic rope hoist


The Minifor TR125 SY hoist is equipped with a special synthetic rope. It can be used to lift over great heights (standard rope length up to 200 m, longer ropes upon request). The torque is steady and speed is also stable at 30 m/min. The motor integrated brake makes it intrinsically safe in operation. The Minifor TR125 SY hoist is available with different voltages and is suitable for various applications. It is operated through a push button pendant control. As an option, the Minifor TR125 SY hoist can be equipped with a wireless remote control.


- Special synthetic rope
- Lightweight
- Quick installation
- Unlimited wire rope length
- Easy to use, light-weight, robust, powerful
- Working load can be increased with sheaving kit
- Up and down limit switches
- Strong, robust and versatile (IP55)




Model	WLL	Forward Speed (m/min)	Voltage (V)	Power (kW)	Weight (kg)	Description	Product Code
TR125 SY	125 kg	15	115	-	21	with pendant control 2,5m	245159
TR125 SY	125 kg	30	230	0,75	20	with pendant control 2,5 m	245169
TR125 SY	125 kg	15	230	0,37	20	with pendant control 2,5 m	245179
TR125 SY	125 kg	30	400	0,75	20	with pendant control 2,5 m	245189
TR125 SY	125 kg	30	230	0,75	20	with control cable and cupling	245229
TR125 SY	125 kg	15	230	0,37	20	with control cable and cupling	245239
TR125 SY	125 kg	30	400	0,75	20	with control cable and cupling	245249
TR125 SY	125 kg	15	230	0,37	20	with radio remote control	245279
TR125 SY	125 kg	30	230	0,75	20	with radio remote control	245289
TR125 SY	125 kg	30	400	0,75	20	with radio remote control	245299



 Order products on day 1, will be shipped no later than day 2,

 Order products on day 1, will be shipped no later than day 6. Maximum quantities apply for this service.

 Available on request. Please enquire about delivery times of these items.

Minifor SY series accessories



Kernmantle rope

The kernmantle rope has been developed especially for use in combination with the electric Minifor SY hoists, and can be used under the most extreme circumstances.

The kernmantle rope is made of durable polyester and has a 9.4 mm diameter. Maximum length 200 m. The rope can be identified by a blue braided cable. The core has a ribbon with a Tractel marking.

- Durable
- Available in various lengths

Model	Product Code
Kernmantle rope ø 9.4mm, length 20m, hook with safety catch	187228
Kernmantle rope ø 9.4mm, length 20m, self-locking hook	187268
Kernmantle rope ø 9.4mm, length 20m, self-locking swivel hook	187248
Additional rope	238587
KIT - Adjustable Limit Switch	193078



Drum Reel for Synthetic Rope

Model	Product Code
Plastic reel, up to 100 m	143865
Plastic reel, up to 200 m	143875
Metal drum reel, up to 200 m	187278



Order products on day 1, will be shipped no later than day 2,



Order products on day 1, will be shipped no later than day 6. Maximum quantities apply for this service.



Available on request. Please enquire about delivery times of these items.



Tirak

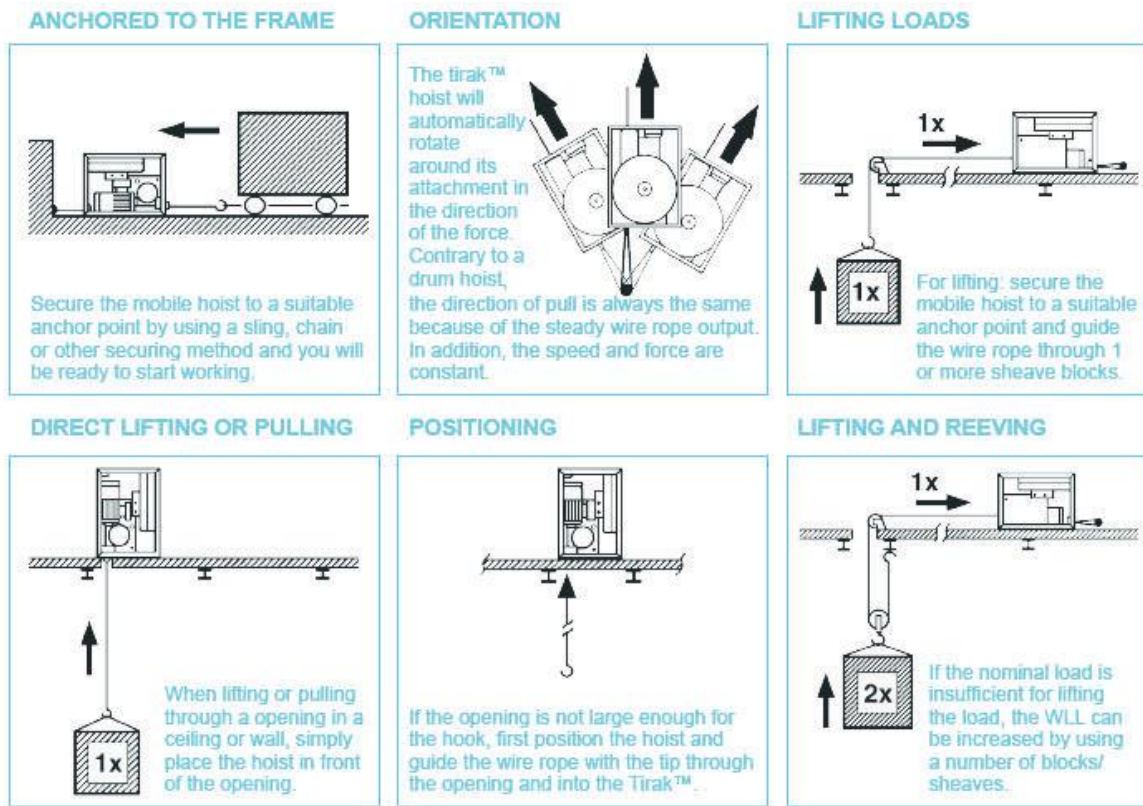
Traction hoists with limitless pulling length for man riding and material lifting

- Capacity from 300 to 3000 kg
- Compact
- Diversity of applications
- Robust components
- Low-wear components
- Easy handling

The compact dimensions and low weight enable easy handling and simplify the integration of the Tirak hoist into your own applications, thus increasing productivity and efficiency. An Increase of load capacity is possible by using reeving pulleys



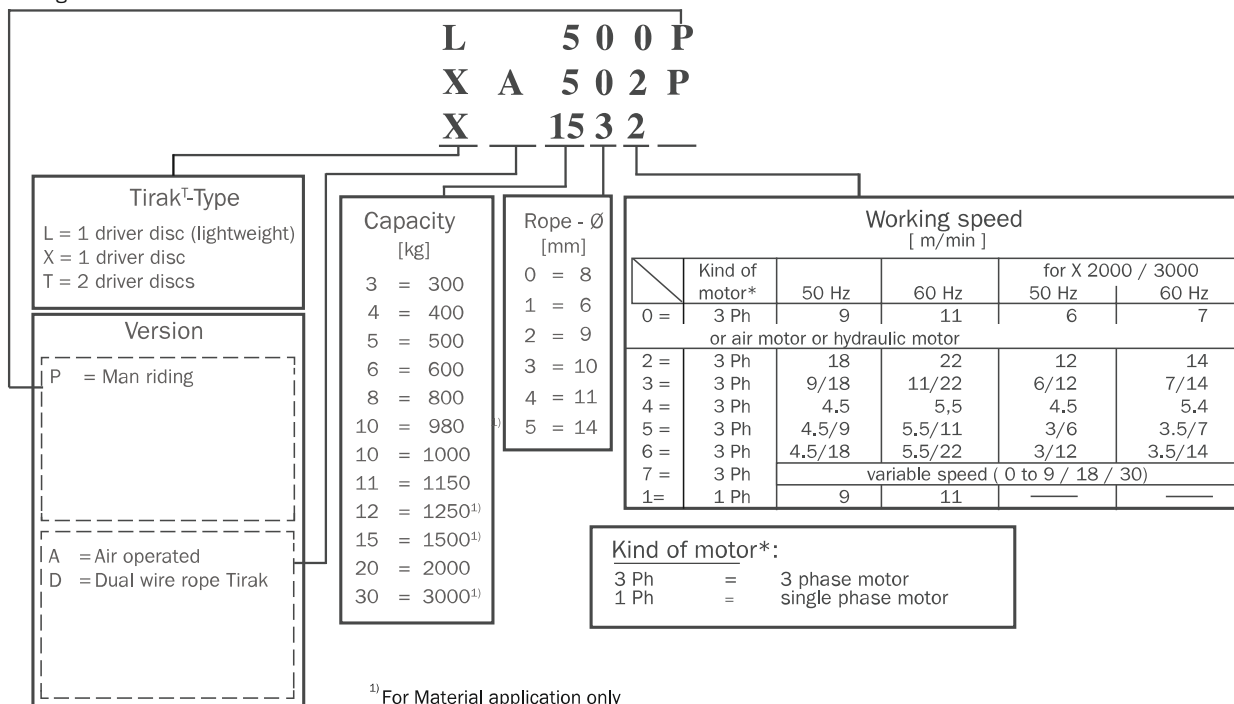
Tirak application & codification



TYPE CODING STRUCTURE, INFINITE POSSIBILITIES

CUSTOMISATION

- Each Tirak is assembled and produced in accordance with customer requirements. We will be happy to advise and support you while assembling the optimal Tirak for your application.
- Type coding structure



Tirak Hoist for Material Handling

The Tirak by Tractel is the number one motorised traction hoist worldwide. With its rope pass-through design, the Tirak allows for unlimited rope lengths, providing ultimate flexibility. No matter your application, the Tirak ensures safe and reliable lifting.

The T-series

When your application calls for moving material back and forth, the T-series is the ideal solution. Equipped with two traction sheaves, the T-series is capable of pulling both forwards and backwards with the same force.

The X-series

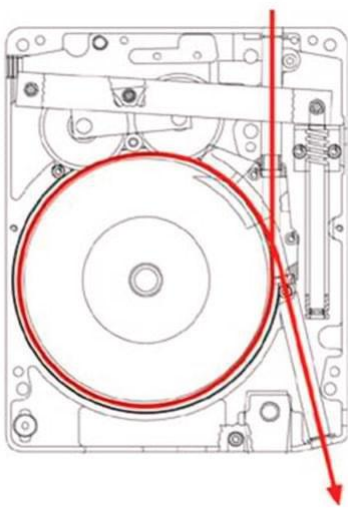
The X-series is the ideal solution for applications that require lifting in only one direction. Built using a single traction sheave, the X-series allows for easy manoeuvring of heavy loads.

No matter the position of the load, the Tirak provides constant lifting speed. When you choose Tirak hoists, you are guaranteed:

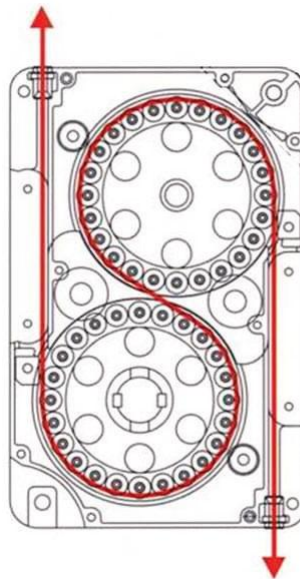
- **Quality:** combining proven technology with state-of-the-art production methods. Robust, powerful and easy to transport, the Tirak provides the ultimate in efficiency and durability, even in harsh working conditions
- **Reliability:** low cost of ownership thanks to its unique design and the extremely gentle rope drive which extends rope service life
- **Safety:** multiple levels of safety built into the hoist. All relevant standards and safety regulations are considered during the development and design of the Tirak.

A complete range of Tirak models offers WLLs from less than 300kg up to 3000kg for material applications.

For more detailed information about the Tirak traction hoist, contact your local Tractel distributor.





X-Serie




T-Serie



 Order products on day 1, will be shipped no later than day 2.

 Order products on day 1, will be shipped no later than day 6. Maximum quantities apply for this service.

 Available on request. Please enquire about delivery times of these items.

Tirak Hoist for Material Handling

with pendant control

X300

Model	Wire Rope Diameter (mm)	WLL	Speed (m/min)	Voltage (V)	Frequency (Hz)	Current (A)	Weight (kg)	Description	Product Code
X300	8	300 kg	9	400	50	2	27	hard-wired pendant control	283219
X300	8	300 kg	9	400	50	2	27	pluggable pendant control	283229
X302	8	300 kg	18	400	50	2	27	hard-wired pendant control	283239
X302	8	300 kg	18	400	50	3	27	pluggable pendant control	283249

X400

Model	Wire Rope Diameter (mm)	WLL	Speed (m/min)	Voltage (V)	Frequency (Hz)	Current (A)	Weight (kg)	Description	Product Code
X400	8	400 kg	9	400	50	2,5	29	hard-wired pendant control	188669
X400	8	400 kg	9	400	50	2,5	29	pluggable pendant control	283259
X401	8	400 kg	9	230	50	5,7	32	hard-wired pendant control	188699
X401	8	400 kg	9	230	50	5,7	32	pluggable pendant control	283269
X402	8	400 kg	18	400	50	3,8	31	hard-wired pendant control	188679
X402	8	400 kg	18	400	50	3,8	31	pluggable pendant control	283279
X403	8	400 kg	9 / 18	400	50	2,2/4,5	35	hard-wired pendant control	188689
X403	8	400 kg	9 / 18	400	50	2,2/4,5	35	pluggable pendant control	283289

X500

Model	Wire Rope Diameter (mm)	WLL	Speed (m/min)	Voltage (V)	Frequency (Hz)	Current (A)	Weight (kg)	Description	Product Code
X500	8	500 kg	9	400	50	3	40	hard-wired pendant control	283299
X500	8	500 kg	9	400	50	3	40	pluggable pendant control	283319
X501	8	500 kg	9	230	50	7	49	hard-wired pendant control	283329
X501	8	500 kg	9	230	50	7	49	pluggable pendant control	283339
X503	8	500 kg	9 / 18	400	50	3,6/6,7	47	hard-wired pendant control	283439
X503	8	500 kg	9 / 18	400	50	3,6/6,7	47	pluggable pendant control	283449

Infobox:

- pendant control pluggable or hard wired delivered with 3m cable
- upper limit switch built on tirak and hard wired
- delivered with 1m power supply cable



Order products on day 1, will be shipped no later than day 2.



Order products on day 1, will be shipped no later than day 6. Maximum quantities apply for this service.



Available on request. Please enquire about delivery times of these items.

Tirak Hoist for Material Handling

with pendant control

X600

Model	Wire Rope Diameter (mm)	WLL	Speed (m/min)	Voltage (V)	Frequency (Hz)	Current (A)	Weight (kg)	Description	Product Code
X600	8	600 kg	9	400	50	4,3	53	hard-wired pendant control	283459
X600	8	600 kg	9	400	50	4,3	53	pluggable pendant control	283469
X601	8	600 kg	9	230	50	10	59	hard-wired pendant control	283479
X601	8	600 kg	9	230	50	10	59	pluggable pendant control	283489
X602	8	600 kg	18	400	50	6,8	57	hard-wired pendant control	283529
X602	8	600 kg	18	400	50	6,8	57	pluggable pendant control	283539
X603	8	600 kg	9 / 18	400	50	4,5/8,7	66	hard-wired pendant control	283549
X603	8	600 kg	9 / 18	400	50	4,5/8,7	66	pluggable pendant control	283569

X800

Model	Wire Rope Diameter (mm)	WLL	Speed (m/min)	Voltage (V)	Frequency (Hz)	Current (A)	Weight (kg)	Description	Product Code
X800	8	800 kg	9	400	50	4,5	45	hard-wired pendant control	283579
X800	8	800 kg	9	400	50	4,5	45	pluggable pendant control	283589
X802	8	800 kg	18	400	50	8,8	49	hard-wired pendant control	188759
X802	8	800 kg	18	400	50	8,8	49	pluggable pendant control	283599
X803	8	800 kg	9 / 18	400	50	4/8	49	hard-wired pendant control	188779
X803	8	800 kg	9 / 18	400	50	4/8	49	pluggable pendant control	283619
X805	8	800 kg	4.5 / 9	400	50	3/4,2	50	hard-wired pendant control	188769
X805	8	800 kg	4.5 / 9	400	50	3/4,2	50	pluggable pendant control	283639

X1000

Model	Wire Rope Diameter (mm)	WLL	Speed (m/min)	Voltage (V)	Frequency (Hz)	Current (A)	Weight (kg)	Description	Product Code
X1020	9	980 kg	9	400	50	4,6	45	hard-wired pendant control	283649
X1020	9	980 kg	9	400	50	4,6	45	pluggable pendant control	283659
X1023	9	980 kg	9 / 18	400	50	4,5/8,5	56	hard-wired pendant control	283669
X1023	9	980 kg	9 / 18	400	50	4,5/8,5	56	pluggable pendant control	283679
X1025	9	980 kg	4.5 / 9	400	50	3,5/4,8	55	hard-wired pendant control	283699
X1025	9	980 kg	4.5 / 9	400	50	3,5/4,8	55	pluggable pendant control	283759

Infobox:

- pendant control pluggable or hard wired delivered with 3m cable
- upper limit switch built on tirak and hard wired
- delivered with 1m power supply cable



Order products on day 1, will be shipped no later than day 2.



Order products on day 1, will be shipped no later than day 6. Maximum quantities apply for this service.



Available on request. Please enquire about delivery times of these items.

Tirak Hoist for Material Handling

with pendant control

X1000

Model	Wire Rope Diameter (mm)	WLL	Speed (m/min)	Voltage (V)	Frequency (Hz)	Current (A)	Weight (kg)	Description	Product Code
X1026	9	980 kg	4.5 / 18	400	50	4/9,6	71	hard-wired pendant control	188809
X1026	9	980 kg	4.5 / 18	400	50	4/9,6	71	pluggable pendant control	283769
X1230	10	1,250 kg	11	400	60	7	49	hard-wired pendant control	283989
X1230	10	1,250 kg	11	400	60	7	49	pluggable pendant control	290869
X1530	10	1,500 kg	9	400	50	7	49	hard-wired pendant control	283889
X1530	10	1,500 kg	9	400	50	7	49	pluggable pendant control	283899

X3000

Model	Wire Rope Diameter (mm)	WLL	Speed (m/min)	Voltage (V)	Frequency (Hz)	Current (A)	Weight (kg)	Description	Product Code
X3050	14	3,000 kg	6	400	50	9,9	105	hard-wired pendant control	283939
X3050	14	3,000 kg	6	400	50	9,9	105	pluggable pendant control	283949
X3052	14	3,000 kg	12	400	50	17	117	hard-wired pendant control	283959
X3052	14	3,000 kg	12	400	50	17	117	pluggable pendant control	283979

T1000

Model	Wire Rope Diameter (mm)	WLL	Speed (m/min)	Voltage (V)	Frequency (Hz)	Current (A)	Weight (kg)	Description	Product Code
T1020	9	980 kg	9	400	50	4,6	71	hard wired pendant control	188829
T1020	9	980 kg	9	400	50	4,6	71	pluggable pendant control	283799
T1023	9	980 kg	9 / 18	400	50	5,5/9,5	87	hard wired pendant control	188859
T1023	9	980 kg	9 / 18	400	50	5,5/9,5	87	pluggable pendant control	283829
T1025	9	980 kg	4.5 / 9	400	50	3,6/4,6	85	hard wired pendant control	188839
T1025	9	980 kg	4.5 / 9	400	50	3,6/4,6	85	pluggable pendant control	283859
T1026	9	980 kg	4.5 / 18	400	50	4/9,7	97	hard wired pendant control	188849
T1026	9	980 kg	4.5 / 18	400	50	4/9,7	97	pluggable pendant control	283879

Infobox:

- pendant control pluggable or hard wired delivered with 3m cable
- upper limit switch built on tirak and hard wired
- delivered with 1m power supply cable



Order products on day 1, will be shipped no later than day 2,



Order products on day 1, will be shipped no later than day 6. Maximum quantities apply for this service.



Available on request. Please enquire about delivery times of these items.

Tirak accessories

Transport trolley for Tirak

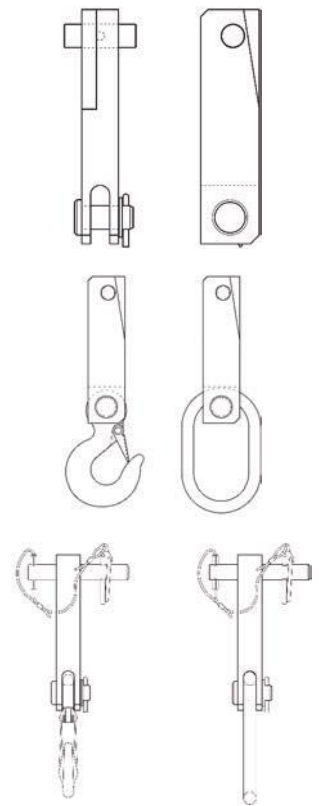
for Tirak series X500, X700, X800, X1000 & X1530

Model	Product Code
transport trolley for Tirak	247329



Suspension Adapters for Tirak Hoists

Model	Description	Product Code
Type A	Suspension adapter for X500-X1530	48657
Type B	Suspension adapter with hook. For X500-X1530	48727
Type B	Suspension adapter with eye. For X500-X1530	48717
Type C	Suspension adapter with removable hook. For X300/L500	180157
Type C	Suspension adapter with removable eye. For X300/L500	180167
Type C	Suspension adapter with removable hook. For X500-X1530	58527
Type C	Suspension adapter with removable eye. For X500-X1530	58537



Tirak packaging

Model	Product Code
wooden box for Tirak X300 / X400	26980
wooden box for Tirak X500 / X800 / X1000	21450
wooden box for Tirak T1000	21320
wooden box for Tirak X1530	56010
wooden box for Tirak X3000	56000



Order products on day 1, will be shipped no later than day 2,

Order products on day 1, will be shipped no later than day 6. Maximum quantities apply for this service.

Available on request. Please enquire about delivery times of these items.

Wire ropes for Tirak

maxiflex wire rope, standard

The maxiflex wire rope has been developed especially for optimal use guaranteed by Tractel®, in combination with tirak™ hoists, and can be used under the most extreme circumstances.

Upon request also available on a drum reel and in any required length.

- Developed especially for tirak™
- Supplied on a transport reel.
- Including certificate
- Standard version with tip and hook
- Hook with safety catch
- Available in any required length



Wire Rope Type	wire rope 8.3mm	wire rope 9.5mm	wire rope 10.2mm	wire rope 14.3mm
genCode				
productModelName	wire rope 8.3mm	wire rope 9.5mm	wire rope 10.2mm	wire rope 14.3mm
Length	Code	Code	Code	Code
20	490540	491520	493590	496050
30	490600	491540	493620	496060
40	490680	491560	493650	496070
50	490730	491590	493670	496080
60	490760	491600	493680	496090
70	490810	491610	493700	496100
80	490840	491640	493720	496120
90	490880	491650	493730	496130
100	490890	491670	493750	496140


maxiflex non-rotating wire rope


The maxiflex non-rotating wire rope has been developed especially to prevent non-guided loads from rotating if they are suspended freely in the air. Upon request the non-rotating wire rope will be produced and manufactured especially for you.


The Maxiflex™ wire rope is guaranteed by Tractel®, in combination with tirak™ hoists, and can be used under the most extreme circumstances.

- Non-rotating rope for non-guided loads
- Developed especially for tirak™
- Including certificate
- Available in any required length
- Standard version with tip and hook
- Hook with safety catch

Model	Length (m)	Product Code
wire rope 8.3mm	50	492630
wire rope 9.5mm	50	498010
wire rope 10.2mm	50	499070

 Order products on day 1, will be shipped no later than day 2,

 Order products on day 1, will be shipped no later than day 6. Maximum quantities apply for this service.

 Available on request. Please enquire about delivery times of these items.

Tirak mobile hoist

for material handling

Tirak hoists can be equipped with a mobile frame in order to provide it with better protection against day-to-day damage or for easier transport. This simplifies the handling of larger hoists or models fitted with a wire rope reeler and reliably protects the Tirak against hard impacts. A separate wire rope reeler can also be integrated into the frame if especially long ropes need to be wound up or stored.



Mobile hoist with 60m reeler capacity X300 - X400

Model								Product Code
Frame with 60m reeler capacity X300 - X400								39389
Model	Wire Rope Diameter (mm)	WLL (kg)	Forward Speed (m/min)	Voltage (V)	Frequency (Hz)	Current (A)	Weight (kg)	Product Code
X300	8	300 kg	9	400	50	1,4	60	188909
X302	8	300 kg	18	400	50	3	60	188919

Mobile hoist with 60m reeler capacity X500 - X800

Model								Product Code
Frame with 60m reeler capacity X500 - X800								39399
Model	Wire Rope Diameter (mm)	WLL (kg)	Forward Speed (m/min)	Voltage (V)	Frequency (Hz)	Current (A)	Weight (kg)	Product Code
X500	8	500 kg	9	400	50	1,6	75	188939
X503	8	500 kg	9 / 18	400	50	2,5/3,4	85	188969
X504	8	500 kg	4,5	400	50	2,5	75	188929
X505	8	500 kg	4,5 / 9	400	50	3,3/3,6	85	188949
X506	8	500 kg	4,5 / 18	400	50	2,0/5,5	85	188959
X800	8	800 kg	9	400	50	2,6	80	188989
X803	8	800 kg	9 / 18	400	50	2,6/4,8	85	189019
X804	8	800 kg	4,5	400	50	3,6	80	188979
X805	8	800 kg	4,5 / 9	400	50	3,2/4,4	85	188999
X806	8	800 kg	4,5 / 18	400	50	3,8	105	189009

Mobile hoist with 60m reeler capacity X1020 - X1530

Model								Product Code
Frame with 60m reeler capacity X1020-X1530								34398
Model	Wire Rope Diameter (mm)	WLL (kg)	Forward Speed (m/min)	Voltage (V)	Frequency (Hz)	Current (A)	Weight (kg)	Product Code
X1020	9	980 kg	9	400	50	4	80	189039
X1023	9	980	9 / 18	400	50	5,5 & 9,0	90	189069
X1024	9	980 kg	4,5	400	50	2,2	85	189029
X1025	9	980 kg	4,5 / 9	400	50	1,8/2,7	90	189049
X1026	9	980 kg	4,5 / 18	400	50	1,8/2,7	105	189059
X1530	10	1,500 kg	9	400	50	2,5	85	189079

Mobile hoist with 110m reeler capacity X2050 - X3050

Model								Product Code
Frame with 110m reeler capacity X2050 - X3050								30188
Model	Wire Rope Diameter (mm)	WLL (kg)	Forward Speed (m/min)	Voltage (V)	Frequency (Hz)	Current (A)	Weight (kg)	Product Code
X3050	14	3,000 kg	6	400	50	6	200	214719
X3052	14	3,000 kg	12	400	50	5,8	225	189099

Tirak mobile hoist

for material handling



Mobile hoist with 500m reeler capacity X500 - X800

Model								Product Code
Frame with 500m reeler capacity X500 - X800								32588
Model	Wire Rope Diameter (mm)	WLL (kg)	Forward Speed (m/min)	Voltage (V)	Frequency (Hz)	Current (A)	Weight (kg)	Product Code
X500	8	500 kg	9	400	50	2	115	189119
X503	8	500 kg	9 / 18	400	50	4,5/8,7	125	189149
X504	8	500 kg	4.5	400	50	4	115	189109
X505	8	500 kg	4.5 / 9	400	50	3,2/4,4	125	189129
X506	8	500 kg	4.5 / 18	400	50	2,2/5,2	125	189139
X800	8	800 kg	9	400	50	1,9	120	189169
X803	8	800 kg	9 / 18	400	50	4,5/8,7	125	189199
X804	8	800 kg	4.5	400	50	4,2	120	189159
X805	8	800 kg	4.5 / 9	400	50	1,8/2,6	125	189179
X806	8	800 kg	4.5 / 18	400	50	3,0/4,9	145	189189

Mobile hoist with 500m reeler capacity X1020 - X1530

Model								Product Code
Frame with 500m reeler capacity X1020 - X 1530								32598
Model	Wire Rope Diameter (mm)	WLL (kg)	Forward Speed (m/min)	Voltage (V)	Frequency (Hz)	Current (A)	Weight (kg)	Product Code
X1020	9	980 kg	9	400	50	3,2	120	189229
X1023	9	980 kg	9 / 18	400	50	3,4/6,0	130	214379
X1024	9	980 kg	4.5	400	50	2,5	125	189219
X1025	9	980 kg	4.5 / 9	400	50	1,9/2,6	130	189239
X1026	9	980 kg	4.5 / 18	400	50	3,3/5,8	145	189249
X1530	10	1,500 kg	9	400	50	9,5	130	189269

Mobile hoist with 800m reeler capacity X2050 - X3050

Model								Product Code
Frame with 800m reeler capacity X2050 - X3050								34328
Model	Wire Rope Diameter (mm)	WLL (kg)	Forward Speed (m/min)	Voltage (V)	Frequency (Hz)	Current (A)	Weight (kg)	Product Code
X3050	14	3,000 kg	6	400	50	5,2	550	189279
X3052	14	3,000 kg	12	400	50	6	550	189289

Tirfor TU-H Series

Accessories for Tirfor TU-H Series

Model	Description	Product Code
HPP 1W with engine & control block	hydraulic power pack 13 l/min, 1-way, petrol engine	1168
HPP 1W	hydraulic power pack 13 l/min, 1-way, electric, 3 phase 400V	8488
HPP 2W with engine & control block	hydraulic power pack 13 l/min, 2-way, petrol engine	4768
HPP 2W	hydraulic power pack 13 l/min, 2-way, electric, 3 phase 400V	1548
HPP 4W with engine & control block	hydraulic power pack 13 l/min, 4-way, petrol engine	4778
HPP 4W	hydraulic power pack 13 l/min, 4-way, electric, 3 phase 400V	1558

For maxiflex wire rope please see previous page.

Special applications: For more information about hoisting solutions for special applications, please contact Tractel®

Tirfor TU H wire ropes

Wire Rope Type	C12 - 6 strands hook	C16 - 6 strands shackle
Description	∅ wire rope - 11.5mm for TU-P/TU-H	∅ wire rope - 16.3mm for TU-P/TU-H
Length	Code	Code
20	495050	496540
30	495060	496550
40	495320	496570
50	495070	496580
60	495080	496590
70	495090	497080



Order products on day 1, will be shipped no later than day 2,



Order products on day 1, will be shipped no later than day 6. Maximum quantities apply for this service.



Available on request. Please enquire about delivery times of these items.

Supertirfor TU-32A

Pneumatic operated motorised wire rope hoists

As part of our company's commitment to reliability, safety, and ergonomics, an upgrade of the Supertirfor TU32A has been initiated. Improvements have been implemented, including the installation of a protective cover to prevent any risk of pinching or crushing for the operator, as well as the addition of safety systems (Emergency stop, cover closure detection sensor, etc.).

NEW



New features

- New design of the control rod aimed at improving reliability by eliminating welds
- Vertical use is possible provided additional pneumatic lubrication is supplied at the compressor outlet; this is not required for horizontal use.
- With the previous generation, the operator was exposed to risks of pinching, entanglement, crushing, or clothing getting caught during the movement of the cylinder. This risk is now eliminated thanks to the installation of a protective cover.
- To ensure this protection, a roller detector has been installed on the device. This system prevents the device from operating when the cover is open.

The Supertirfor TU32A is a pneumatic wire rope hoist, a motorized version of the renowned manual Tirfor TU32 hoist. It is designed for lifting and pulling operations in demanding environments, including heavy construction sites, thermal power plants, shipyards, and industrial facilities.



Supertirfor TU-32A

Pneumatic operated motorised wire rope hoists



NEW



Model	WLL (kg)	Wire Rope Diameter (mm)	Forward Speed (m/min)	Reverse Speed (m/min)	Weight
TU-32A; modified Supertirfor TU-32, cradle-mounted, with pneumatic cylinder, direct control.	5909	3,200	0.7	1.7	16.3

Wire rope for Supertirfor TU A

Pricing and product code available upon request. Custom lengths can also be provided on request.

Model	Product Code
Wire rope ø 11.5 mm, length 20 m	54759
Wire rope ø 16.3 mm, length 20 m	54959

Hook for Supertirfor TU32A

Model	Product Code
swivel hook for T532 & TU32, rotatable	21877



Snatch Block EH

equipped with becket



Model	WLL (kg)	Sheave Diameter (mm)	Wire Rope Diameter (mm)	Weight (kg)	Product Code
E480H	6,400	275 / 336	14 - 16.3	34	81009

Snatch Block EGZ

equipped with shackle



Model	WLL (kg)	Sheave Diameter (mm)	Wire Rope Diameter (mm)	Weight (kg)	Product Code
E480GZ	6,400	275 / 336	14 - 16.3	34	101859

Volt Trac

Range of triphase electric chain hoists - 250 to 2000 kg

Volt Trac hoists are motorised chain hoists. They are used to lift and transfer loads. Volt Trac is designed for permanent installation on a jib crane, underneath an overhead crane, or on motorised or non-motorised trolleys. They are suitable for handling relatively heavy objects while reducing the physical effort of the user.

With Volt Trac, Tractel is offering a new generation of electric chain hoists which are robust with FEM/ISO rating of 2m/M5 as well as an economic solution for your lifting needs.

Ergonomic modular construction allows fast disassembly and assembly during maintenance with easy access to all major parts: chain guide, motor and electric components.

This all adds up to low total cost of ownership for you.

In addition, Tractel is able to provide accessories for Volt Trac which will complete your customised application.

- TuV Rheinland independent certification to all aspects of EN14492
- Modular design allowing ease of maintenance
- Oil bath lubrication for better cooling and low gear wear
- Thermal cut out and phase protection as standard
- Slip clutch overload protection
- Reduced control voltage (24V)

Standard capacities: 250kg to 2000kg at FEM/ISO rating 2m/M5

Available on request FEM/ISO ratings can be adapted from 1Am/M4 to 5m/M8 expanding the capacity range to: 125kg to 2200kg.



Electric chain hoist with 3 m lifting height, 1.80 m control cable and chain bag.

WLL	Number of Falls	Number of Speeds	Forward Speed (m/min)	Code	Options						
					Additional Lifting Height		Control Cable		Electrical trolley 2 speeds 9-3 m/min	Additional meter PDC electrical hoist + trolley	
					Additional m	Height max.	Additional m of PDC	Length max.		Additional m	Length max.
250 kg	1	1	10	280209	270917	25 m	195127	25 m	276517	239597	25 m
250 kg	1	2	8 / 2	299259	270917	25 m	195127	25 m	276517	239597	25 m
500 kg	2	1	5	280219	270927	25 m	195127	25 m	276527	239597	25 m
500 kg	2	2	4 / 1	286759	270927	25 m	195127	25 m	289807	239597	25 m
500 kg	1	1	8	280229	270937	25 m	195127	25 m	276537	239597	25 m
500 kg	1	2	8 / 2	280239	270937	25 m	195127	25 m	276577	239597	25 m
1,000 kg	2	1	4	280249	270947	25 m	195127	25 m	276547	239597	25 m
1,000 kg	2	2	4 / 1	280259	270947	25 m	195127	25 m	276587	239597	25 m
1,000 kg	1	1	8	280269	270957	25 m	195127	25 m	276557	239597	25 m
1,000 kg	1	2	8 / 2	280279	270957	25 m	195127	25 m	276597	239597	25 m
2,000 kg	2	1	4	280289	270967	25 m	195127	25 m	276567	239597	25 m
2,000 kg	2	2	4 / 1	280299	270967	25 m	195127	25 m	276607	239597	25 m

Order products on day 1, will be shipped no later than day 2

Order products on day 1, will be shipped no later than day 3. Maximum quantities apply for this service.

Available on request. Please enquire about delivery times of these items.

Accessories for Volt Trac

Electric trolley 9/3 m/min

Model	Product Code
250 kg 1fall/1 speed	276517
500 kg 2falls/1 speed	276527
500 kg 1fall/1 speed	276537
1000 kg 2falls/1speed	276547
1000 kg 2 falls/ 1 speed	276557
2000 kg 2 falls/ 1 speed	276567
500 kg 1 fall/2 speeds	276577
1000 kg 2 falls/2 speeds	276587
1000 kg 1 fall/ 2 speeds	276597
2000 kg 2 falls/ 2 speeds	276607
250kg 1 fall/2 speeds	289517
500 kg 2falls/2 speeds	289807

Electric chain hoists volt trac™ are also suitable for use with the manual push and gear trolleys corso and the beam clamp corso.

Trolley limit switch

Model	Product Code
trolley limit switch	75257

Chain bags

Additional or replacement

Armazenamento organizado de correntes para uma operação segura e eficiente do guincho.

Concebidos para gerir a folga da corrente de carga, os Sacos para Correntes Tractel ajudam a manter ambientes de elevação seguros e desobstruídos.

Model	Description	Product Code
DFA1	250 kg 1 fall 13-25 m & 500 kg 2 falls 7-12 m	276617
DFA2	500 kg, 2 falls 13-18 m	276627
DFA3	500 kg, 2 falls 19-25 m, steel	276637
DTA4	500 kg, 1 fall 13-25 m, 1000 kg 2 strands 7-12 m	276647
DFB1	1000 kg, 2 falls 13-18 m	276657
DTB2	1000 kg, 2 falls 19-25 m, steel	276667
DFB3	1000 kg 1 fall 7-18 m & 2000 kg 2 falls 4-9 m	276677
DTB4	1000 kg, 1 fall 19-25 m	276687
DFC1	2000 kg 2 falls 10-15 m	276697
DFC2	2000 kg 2 falls 16-25 m	276707

Standard Range remote control

Free-field range 100 m

Model without electrical trolley	Product Code
Radio control - Model 250 kg 1 fall / 500 kg 2 falls - 1 lifting speed	294137
Radio control - Model 500 kg 1fall / 1 000 kg 2 falls - 1 lifting speed	294147
Radio control - Model 1 000 kg 1 fall / 2 000 kg 2 falls - 1 lifting speed	294157
Radio control - Model 250 kg 1 fall / 500 kg 2 falls - 2 lifting speeds	294167
Radio control - Model 500 kg 1 fall / 1 000 kg 2 falls - 2 lifting speeds	294177
Radio control - Model 1 000 kg 1 fall / 2 000 kg 2 falls - 2 lifting speeds	294187

Model with electrical trolley	Product Code
Radio control - Model 250 kg 1 fall / 500 kg 2 falls - 1 lifting speed - Trolley 2 steering speeds	294197
Radio control - Model 500 kg 1 fall / 1 000 kg 2 falls - 1 lifting speed - Trolley 2 steering speeds	294207
Radio control - Model 1 000 kg 1 fall / 2 000 kg 2 falls - 1 lifting speed - Trolley 2 steering speeds	294217
Radio control - Model 250 kg 1 fall / 500 kg 2 falls - 2 lifting speeds - Trolley 2 steering speeds	294227
Radio control - Model 500 kg 1 fall / 1 000 kg 2 falls - 2 lifting speeds - Trolley 2 steering speeds	294237
Radio control - Model 1 000 kg 1 fall / 2 000 kg 2 falls - 2 lifting speeds - Trolley 2 steering speeds	294247

Long Range remote control

Free-field range 400 m

Model without electrical trolley	Product Code
Radio control - Model 250 kg 1 fall / 500 kg 2 falls - 1 lifting speed	274047
Radio control - Model 500 kg 1 fall / 1 000 kg 2 falls - 1 lifting speed	274057
Radio control - Model 1 000 kg 1 fall / 2 000 kg 2 falls - 1 lifting speed	274067
Radio control - Model 500 kg 1 fall / 1 000 kg 2 falls - 2 lifting speeds	276717
Radio control - Model 1 000 kg 1 fall / 2 000 kg 2 falls - 2 lifting speeds	276727

Model with electrical trolley	Product Code
Radio control - Model 250 kg 1 fall / 500 kg 2 falls - 1 lifting speed - 2 steering speeds	276757
Radio control - Model 500 kg 1 fall / 1 000 kg 2 falls - 1 lifting speed - 2 steering speeds	276767
Radio control - Model 1 000 kg 1 fall / 2 000 kg 2 falls - 1 lifting speed - 2 steering speeds	276777
Radio control - Model 500 kg 1 fall / 1 000 kg 2 falls - 2 lifting speeds - 2 steering speeds	276787
Radio control - Model 1 000 kg 1 fall / 2 000 kg 2 falls - 2 lifting speeds - 2 steering speeds	276797

Extended hanger bar for electric trolley

Model	Product Code
250 kg - 1000 kg, 68 - 320 mm	108937
2000 kg 76 - 320 mm	108947

Eye suspension for Volt trac

For removing the hook and the replacment with an eye.

Model	Product Code
250 kg, 1fall	270987
500kg, 2 falls	270997
500 kg, 1 fall	274007
1000kg, 2falls	274017
1000 kg, 1 fall	274027
2000 kg, 2 falls	274037

Volt Trac Monophase

Range of monophase electric chain hoists - 250 to 1000 kg

Customize your Volt trac Monophase hoist starting from the basic kit.
Add the desired options to get the Volt trac that fits your project.

NEW



WLL	Number of Falls	Number of Speeds	Forward Speed (m/min)	Code	Options							
					Additional Lifting Height		Control Cable, Hoist only		Trolley 2 speeds 9-3 m/min		Control Cable, Hoist & Trolley	
					Additional m	Length max.	Additional m of PDC	Length max.	Flange Width: 66 - 220 mm	Additional m	Length max.	
250 kg	1	2	1.8 / 7	299899	270917	25 m	195127	25 m	299197	299337	25 m	
500 kg	2	2	0.9 / 3.5	299909	270927	12 m	195127	12 m	299387	299337	12 m	
500 kg	1	2	1.8 / 7	299919	270937	25 m	195127	25 m	299207	299337	25 m	
1,000 kg	2	2	0.9 / 3.5	299929	270947	12 m	195127	12 m	299397	239597	12 m	

Chain bags for Volt Trac

WLL (kg)	Nb of falls	1	2	3	4	5	6	7	8	9	10	12	13	15	18	20	25	30	40
250	1														276617				
500	2									276617									
500	1														276647				
1000	2									276647									

Manual push trolley in direct coupling

Model	Product Code
Manual trolley Volt Trac 250kg	276357
Manual trolley Volt Trac 500kg 2 falls	276367
Manual trolley Volt Trac 500kg 1 fall	276377
Manual trolley Volt Trac 1000kg 2 falls	276387

Sodenic jib crane

The Sodenic is a complete jib crane with integrated wire rope hoist. Perfect for lifting materials up to and down from a roof.

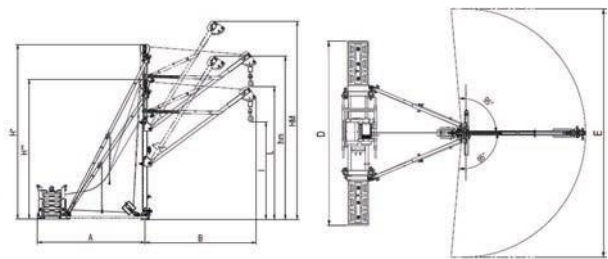
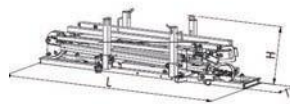
Sodenic is made of modular galvanized construction with integrated wire rope winch, making it easy to transport and assemble without specialised tools.

Due to the compact nature of the knocked down crane it can easily fit into a lift and be manipulated and assembled by two people.

- Building and industry
- Easy installation
- Modular configuration
- Fits in elevator, once disassembled
- One-man operation
- Topping and rotating

Specification:

- Galvanized steel construction
- Electric motor FEM class: 1Am/M3
- Petrol engine noise emission: 2000/14/CE
- Duty cycle: 100%
- Safety factor: 4
- Wire rope with swivel safety hook
- Sheave blocks with self-lubricating bearings
- Counterweight 750 kg (30 blocks of 25 kg each)
- Limit switches
- Topping and rotating jib
- Locking pins with safety pin
- Modular configuration
- Fits in elevator, once disassembled
- One-man operation





Model	WLL	Lifting Height	Forward Speed (m/min)	Product Code
Sodenic petrol	250 kg	45	22	251009
Sodenic petrol	250 kg	60	22	251019
Sodenic petrol	200 kg	80	22	251029
Sodenic electric	250 kg	45	28	251039
Sodenic electric	250 kg	60	28	251049
Sodenic electric	200 kg	80	28	251059


Delivery includes: lifting device, wire rope winch with control system and wire rope. Excluding counterweights.

Accessories for Sodenic jib crane

Model	Product Code
wire rope 45m	38928
wire rope 60m	38938
wire rope 80m	38948
manual winch 120 kg 38m	38968
counterweight 25 kg	3378

 Order products on day 1, will be shipped no later than day 2,

 Order products on day 1, will be shipped no later than day 6. Maximum quantities apply for this service.

 Available on request. Please enquire about delivery times of these items.



CHARLET pulleys, blocks & sheaves



CHARLET blocks

- Tractel blocks, also known as CHARLET, have been developed for all possible applications and are suitable for the most extreme ambient conditions.
- The various models are suitable for wire ropes or ropes and can be used for reeving loads. They can be used for pulling, lifting and diverting the wire rope.
- It is important to choose the right block. This choice depends on the type of application, manual or motorized drive and the rope diameter.
- We can design, produce, test and supply all possible cable blocks, crane blocks, rotablocks, hooks and sheaves (WLL 1 to 500t).
- Through customization and in-house production short delivery times can be realized.
- We are happy to help you make the right choice.

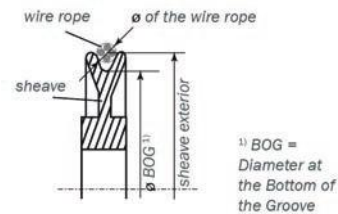


CHARLET pulleys

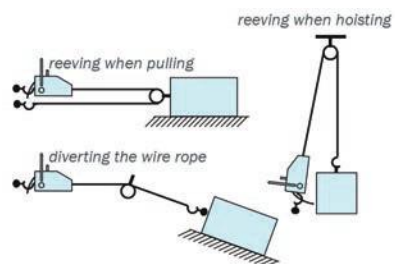
- There is a wide variety of basic versions available. Even models for man-riding applications in conformity with EN 1808 are available from stock.

Winding ratio	Reduction
6	21%
8	17%
10	14%
15	11%
20	9%

Detail of sheave



Example of application



Angle	Suspension load
0°	Hoist WLL x 2
15°	Hoist WLL x 1,98
30°	Hoist WLL x 1,95
45°	Hoist WLL x 1,85
60°	Hoist WLL x 1,73
90°	Hoist WLL x 1,41
120°	Hoist WLL x 1
150°	Hoist WLL x 0,52
180°	0



CHARLET special designs



Tractel Solutions offers a wide range of custom made sheaves
Pitch diameter ($\varnothing dp$) = Wire rope $\varnothing \times R$

If you have any special needs, please contact us:

Tractel Solutions S.A.S.

Phone: +33 4 78 50 18 18

Email: info.tractelsolutions@tractel.com



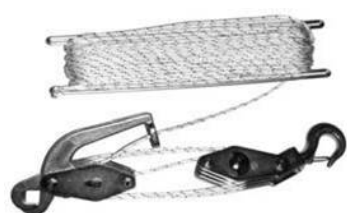
Pulleys, Blocks and Sheaves



BX Sheave Axle

- Allows mounting of BG-BH-BN sheaves

Model	Ø	Product Code
B060X	15	105439
B061X	22	105449
B062X	30	105459
B063X	30	105469
B064X	52	105479



Palanmatic

- Manual hoist with nylon rope Ø 4 mm
- Lifting on a fixed or mobile point (hoist in vertical position),
- Lifting of the towing gear (hoist in horizontal position).

Model	Description	Lifting Height	WLL	Number of Sheaves	Weight (kg)	Product Code
D202A	Scissor eye hook / swivel eye hook*. 3 sheaves.	7	250	3	1.9	80009
D212A	Scissor eye hooks. 3 sheaves.	3	250	3	1.6	80039
D204A	Scissor hook / swivel eye hook*. 5 sheaves.	7	400	5	2.9	80019
D214A	Scissor eye hooks. 5 sheaves.	3	400	5	2.2	80049
D206A	Scissor eye hook / swivel eye hook*. 7 sheaves.	3	630	7	3.7	80029



DB Poulistop 2

- Efficient and light
- Rope locking system
- Corrosion resistant product
- Can be attached to scaffolding
- Safe and easy to use

Model	Description	Sheave Diameter (mm)	Wire Rope Diameter (mm)	WLL	Weight (kg)	Product Code
D050B	Poulistop 2 with hook	150 / 195	18 - 20	50	4	192319
D051B	Poulistop 2 with scaffold bracket	150 / 195	18 - 20	50	4	192329
DC050B	Rope for Poulistop 2 - 50m		18	50	18	192339
DP050B	Bracket for scaffolding installation			50	9	192359

Pulleys, Blocks and Sheaves

DE Scaffold Block

- Efficient and light
- Corrosion resistant product
- Can be attached to scaffolding
- Safe and easy of use

Model	Sheave Diameter (mm)	Wire Rope Diameter (mm)	WLL	Weight (kg)	Product Code
D039E	156 / 200	22 - 30	40 kg	1.6	80169



DL Lyons Block

- For lifting or pulling loads
- Quick and safe installation
- Polyvalent

Model	Sheave Diameter (mm)	Wire Rope Diameter (mm)	WLL	Description	Number of Sheaves	Weight (kg)	Product Code
D083L	34 / 40	8 - 10	160	Sheave material: cast iron	2	0.9	80359
D086L	34 / 40	8 - 10	250	Sheave material: cast iron	3	1.3	80379
D089L	42 / 50	10 - 12	320	Sheave material: cast iron	2	1.8	80399
D092L	42 / 50	10 - 12	500	Sheave material: cast iron	3	2.4	80419
D080L	25 / 32	6 - 8	125	Sheave material: polyamide	3	0.7	80339
D082L	32 / 40	8 - 10	160	Sheave material: polyamide	2	0.9	80349
D085L	32 / 40	8 - 10	250	Sheave material: polyamide	3	1.3	80369
D088L	40 / 50	10 - 12	320	Sheave material: polyamide	2	1.8	80389
D091L	40 / 50	10 - 12	500	Sheave material: polyamide	3	2.4	80409



BL Sheave with Long Hub

- Three ranges available (machined, on bronze bushings or bearings)
- Bichromate

Model	Sheave Diameter (mm)	Wire Rope Diameter (mm)	WLL	Ø	Weight (kg)	Product Code
CA140C11VML	140 / 160	10 - 11.5	2	30	1.3	104039
CA172C15VML	172 / 200	13 - 15	3.2	30	2.2	104049



Pulleys, Blocks and Sheaves



BE Wide Mouthed Sheave

- Sheaves for wire rope
- Ø from 63 to 255 mm
- A high winding ratio improves the lifetime of the wire rope
- Zinc bichromated


Unmachined Machined


Model	Sheave Diameter (mm)	Wire Rope Diameter (mm)	WLL	Ø	Weight (kg)	Product Code
CA53C5CU	53 / 63	4 - 5	0.32	12.2	0.2	104189
CA60C5CU	60 / 80	4 - 5	0.63	15	0.32	104199
CA80C9CU	80 / 100	8 - 9	1.25	22	0.65	104209
CA120C11CU	120 / 150	10 - 11.5	2	30	1.4	104219
CA160C15CU	160 / 200	13 - 15	3.2	30	3	104239
CA210C18CU	210 / 255	16 - 18	5	60	4.6	104259


Bronze bush

Model	Sheave Diameter (mm)	Wire Rope Diameter (mm)	WLL	Ø	Weight (kg)	Product Code
CA80C9CM	80 / 100	8 - 9	1.25	22	0.65	104269
CA132C12VM	132 / 160	10 - 12	2	30	1.4	104279
CA160C15VM	160 / 200	13 - 15	3.2	30	3	104289
CA210C18CM	210 / 255	16 - 18	5	52	4.6	104299

Bearings

 Order products on day 1, will be shipped no later than day 2,

 Order products on day 1, will be shipped no later than day 6. Maximum quantities apply for this service.

 Available on request. Please enquire about delivery times of these items.

Pulleys, Blocks and Sheaves

CSB Sheave with Ball Bearings

- Sheave with ball bearings
- Electrogalvanised

Model	Sheave Diameter (mm)	Wire Rope Diameter (mm)	WLL	A	Ø	Weight (kg)	Product Code
CSB012	133 / 150	6 - 7	1.6		25	1.75	104359
CSB014	125 / 150	7.5 - 8	1.6		25	1.75	105639
CSB022	152 / 175	7 - 8	2		30	2.7	104389
CSB024	150 / 178	9 - 10	2		30	2.7	105649
CSB032	172 / 200	8 - 9	2.5		35	4.1	104419
CSB034	165 / 200	10 - 11	2.5		35	4.1	105659
CSB042	180 / 210	9 - 10	3.2		40	5.1	104449
CSB044	180 / 210	11 - 12	3.2		40	5.1	105669
CSB052	200 / 235	10 - 11	4		50	6.9	104479
CSB054	195 / 235	12 - 13	4		50	6.9	105679
CSB062	228 / 270	11 - 12	6.3		60	10.2	104509
CSB064	225 / 270	13 - 14	6.3		60	10.2	105689
CSB072	257 / 297	12 - 13	6.3		60	12.3	104539
CSB074	257 / 297	14 - 15	6.3		60	12.3	105699
CSB082	280 / 330	13 - 14	10		80	21.1	104569
CSB084	280 / 330	15 - 16	10		80	23.1	105709
CSB092	320 / 375	15 - 16	10		80	24.5	104599
CSB094	306 / 370	17 - 18	10		80	24.5	105719
CSB102	355 / 425	17 - 18	12.5		90	34	104629
CSB104	355 / 425	19 - 20	12.5		90	34	105729
CSB112	400 / 470	19 - 20	16		100	45	104659
CSB114	400 / 470	22 - 24	16		100	45	105739
CSB122	440 / 510	20 - 22	20		110	65	105759
CSB124	430 / 510	24 - 26	20		110	65	105779
CSB132	500 / 570	22 - 24	20		120	115	105799
CSB142	550 / 630	24 - 26	25		130	140	105829



EC Snatch Block

- Easy installation and low weight
- Multiple lashing possibilities: shackles, pins, chains, hooks, slings
- Occasional installations

Model	Sheave Diameter (mm)	Wire Rope Diameter (mm)	WLL	Weight (kg)	Product Code
EC1.6-100E9	80 / 100	8 - 9	1,600	2.2	80689
EC3.2-160E12	132 / 160	10 - 12	3,200	4.8	80699
EC5-200E15	160 / 200	13 - 15	5,000	9.3	80709
EC8-250E18	210 / 250	16 - 18	8,000	19.4	80719



Pulleys, Blocks and Sheaves



ED Snatch Pulley with Wire Rope Guide Flanges

- Cable guide flanges to prevent derailment
- Easy installation

Model	Sheave Diameter (mm)	Wire Rope Diameter (mm)	WLL	Weight (kg)	Product Code
E162D	140 / 160	10 - 11.5	1.25	5.2	80729
E172D	172 / 200	13 - 15	2	9.3	80769



EG Light Duty Pulley for Wire Rope

- Intended for slow use
- Allows lifting or deflecting without height or distance limits
- Equipped with cast iron sheave


Model	Sheave Diameter (mm)	Wire Rope Diameter (mm)	WLL	Weight (kg)	Product Code
E140G	60 / 80	4 - 5	0.32	1.6	80809
E144G	80 / 100	8 - 9	0.63	2.5	80829
E146G	80 / 100	8 - 9	0.63	2.5	80849





ES Cargo Block

- Simple yoke pulley for wire-rope
- For slow applications
- Lifting or wire-rope deviation without limit on use height or distance
- Ensures good positioning

Model	Sheave Diameter (mm)	Wire Rope Diameter (mm)	WLL	Weight (kg)	Product Code
E110S	60 / 80	4 - 5	320	0.9	81329
E112S	80 / 100	8 - 9	630	1.8	81339
E120S	132 / 160	10 - 11.5	1,200	3.4	81359

 Order products on day 1, will be shipped no later than day 2,

 Order products on day 1, will be shipped no later than day 6. Maximum quantities apply for this service.

 Available on request. Please enquire about delivery times of these items.

Pulleys, Blocks and Sheaves

EH Snatch Block

- Snatch blocks for wire rope cables
- Zinc bichromated coating

Model	Sheave Diameter (mm)	Wire Rope Diameter (mm)	WLL	Weight (kg)	Product Code
E303H	80 / 100	8 - 9	1,000	3	80869
E460H*	132 / 160	7.5 - 8.3	2,400	7	80969
E313H	132 / 160	10 - 12	2,000	8.5	80889
E323H	160 / 200	13 - 15	3,200	18	80909
E470H*	160 / 200	10 - 11.5	3,200	18	80989
E490H	160 / 200	13 - 15	5,000	17	81029
E333H	210 / 250	16 - 18	5,000	22	80929
E480H	275 / 336	14 - 16.3	6,400	34	81009
E347H	275 / 336	21 - 23	8,000	34	80949



EGZ Snatch Blocks for Wire Rope Cables

- Zinc bichromated coating
- Designed for temporary lifting or cable traction installations requiring quick installation and/or removal of the pulley

Model	Sheave Diameter (mm)	Wire Rope Diameter (mm)	WLL	Weight (kg)	Product Code
E303GZ	80 / 100	8 - 9	1,000	3	101829
E460GZ	132 / 160	7.5 - 8.3	2,400	7	101839
E313GZ	132 / 160	10 - 12	2,000	8.5	105629
E470GZ	160 / 200	10 - 11.5	4,800	15.5	101849
E323GZ	160 / 200	13 - 15	3,200	15.5	192859
E490GZ	160 / 200	13 - 15	5,000	17	192869
E333GZ	210 / 250	16 - 18	5,000	22	192879
E480GZ	275 / 336	14 - 16.3	6,400	34	101859
E347GZ	275 / 336	21 - 23	8,000	34	192889



Pulleys, Blocks and Sheaves



ELS = with safety hook



ELC = with safety clasp

ELC - ELS Pulleys

- **Specialized for temporary lifting/pulling:** ELC-ELS pulleys enable rapid assembly and dismantling for short-term applications.
- **Lightweight and compact:** Easy installation with locking parts makes them ideal for vessels, offshore platforms, and construction sites.
- **Maintenance-free design:** Features PTFE/steel self-lubricating bushings for extended service life without regular upkeep.
- **Safety and ease of use:** Includes hooks with safety latches, quick wire rope insertion, and a locking axle secured by a safety pin.
- **Variants and capacity:** Two models (ELC and ELS), both rated at 1 tonne, compatible with 6.5–7 mm wire ropes.

Model	Description	Sheave Diameter (mm)	Wire Rope Diameter (mm)	WLL (kg)	Weight (kg)	Product Code
ELC1-70E7	equipped with safety clasp	55	6.5 - 7	1,000	1.6	252209
ELS1-70E7	equipped with safety hook	55	6.5 - 7	1,000	1.8	252259



ETC Off-Shore Model Snatch Block

- Easy to set up
- Light
- Imperviousness of removable elements
- Intensive use


Model	Sheave Diameter (mm)	Wire Rope Diameter (mm)	WLL (kg)	Weight (kg)	Product Code
ETC2-79E10	60 / 79	9 - 10	2,000	2.7	81429
ETC5-114E14	90 / 114	12 - 14	5,000	8	81399
ETC5-165E14	140 / 165	12 - 14	5,000	10.5	81459
ETC8-142E19	112 / 142	17 - 19	8,000	15	81489
ETC8-209E19	177 / 209	17 - 19	8,000	20	81519
ETC8-262E19	221 / 262	17 - 19	8,000	25	81549
ETC8-326E23	275 / 326	20 - 23	8,000	29	81579
ETC12-145E23	112 / 145	20 - 23	12,500	30	81609
ETC12-216E23	174 / 216	20 - 23	12,500	35	81669
ETC12-216E29	174 / 216	26 - 29	12,500	35	81639
ETC15-262E23	221 / 262	20 - 23	15,000	38	81699
ETC15-326E23	275 / 326	20 - 23	15,000	45	81759
ETC15-420E23	355 / 420	20 - 23	15,000	65	81819
ETC20-216E29	174 / 216	26 - 29	20,000	39	81729
ETC20-268E38	224 / 268	35 - 38	20,000	56	81789
ETC20-410E38	349 / 410	35 - 38	20,000	70	81849
ETC25-262E29	221 / 262	26 - 29	25,000	62	81879
ETC25-326E29	270 / 326	26 - 29	25,000	85	81939
ETC32-334E46	270 / 334	42 - 46	32,000	95	81909
ETC32-518E46	443 / 518	42 - 46	32,000	135	81969


Pulleys, Blocks and Sheaves


ETM Off-Shore Model Snatch Block

- Easy to set up
- Light
- Imperviousness of removable elements

Model	Sheave Diameter (mm)	Wire Rope Diameter (mm)	WLL	Weight (kg)	Product Code
ETM2-79E10	60 / 79	9 - 10	2,000	2.7	81439
ETM5-114E14	90 / 114	12 - 14	5,000	8	81409
ETM5-165E14	140 / 165	12 - 14	5,000	10.5	81469
ETM8-142E19	112 / 142	17 - 19	8,000	15	81499
ETM8-209E19	177 / 209	17 - 19	8,000	20	81529
ETM8-262E19	221 / 262	17 - 19	8,000	25	81559
ETM8-326E23	275 / 326	20 - 23	8,000	29	81589
ETM12-145E23	112 / 145	20 - 23	12,500	30	81619
ETM12-216E23	174 / 216	20 - 23	12,500	35	81679
ETM12-216E29	174 / 216	26 - 29	12,500	35	81649
ETM15-262E23	221 / 262	20 - 23	15,000	38	81709
ETM15-326E23	275 / 326	20 - 23	15,000	45	81769
ETM15-420E23	355 / 420	20 - 23	15,000	65	81829
ETM20-216E29	174 / 216	26 - 29	20,000	39	81739
ETM20-268E38	224 / 268	35 - 38	20,000	56	81799
ETM20-410E38	349 / 410	35 - 38	20,000	70	81859
ETM25-262E29	221 / 262	26 - 29	25,000	62	81889
ETM25-326E29	270 / 326	26 - 29	25,000	85	81949
ETM32-334E46	270 / 334	42 - 46	32,000	95	81919
ETM32-518E46	443 / 518	42 - 46	32,000	135	81979

 Order products on day 1, will be shipped no later than day 2.

 Order products on day 1, will be shipped no later than day 6. Maximum quantities apply for this service.

 Available on request. Please enquire about delivery times of these items.



Pulleys, Blocks and Sheaves



ETA Off-Shore Model Snatch Block

- Easy to set up
- Light
- Imperviousness of removable elements

Model	Sheave Diameter (mm)	Wire Rope Diameter (mm)	WLL	Weight (kg)	Product Code
ETA 2-79E10	60 / 79	9 - 10	2,000	1.6	81449
ETA5-114E14	90 / 114	12 - 14	5,000	4.5	81419
ETA5-165E14	140 / 165	12 - 14	5,000	7	81479
ETA8-142E19	112 / 142	17 - 19	8,000	8.5	81509
ETA8-209E19	177 / 209	17 - 19	8,000	13.5	81539
ETA8-262E19	221 / 262	17 - 19	8,000	18	81569
ETA8-326E23	275 / 326	20 - 23	8,000	23	81599
ETA12-145E23	112 / 145	20 - 23	12,500	24	81629
ETA12-216E23	174 / 216	20 - 23	12,500	28	81689
ETA12-216E29	174 / 216	26 - 29	12,500	28	81659
ETA15-262E23	221 / 262	20 - 23	15,000	30	81719
ETA15-326E23	275 / 326	20 - 23	15,000	36	81779
ETA15-420E23	355 / 420	20 - 23	15,000	52	81839
ETA20-216E29	174 / 216	26 - 29	20,000	31	81749
ETA20-268E38	224 / 268	35 - 38	20,000	45	81809
ETA20-410E38	349 / 410	35 - 38	20,000	56	81869
ETA25-262E29	221 / 262	26 - 29	25,000	48	81899
ETA25-326E29	270 / 326	26 - 29	25,000	63	81959
ETA32-334E46	270 / 334	42 - 46	32,000	70	81929
ETA32-518E46	443 / 518	42 - 46	32,000	100	81989

Pulleys, Blocks and Sheaves

CUB One sheave overhead craneblock

- Fast production time
- Other dimensions on request

Model	Sheave Diameter (mm)	Wire Rope Diameter (mm)	WLL	Classification FEM/ISO	Weight (kg)	Product Code
CUB122M5	152 / 175	7 - 8	1.6	M5	11	104819
CUB122M6	152 / 175	7	1.25	M6	11	104829
CUB132M5	172 / 200	8 - 9	2	M5	14	104839
CUB132M6	172 / 200	8	1.6	M6	14	104849
CUB142M5	180 / 210	9 - 10	2.5	M5	18	104859
CUB142M6	180 / 210	9	2	M6	18	104869
CUB152M5	200 / 235	10 - 11	3.2	M5	21	104879
CUB152M6	200 / 235	10	2.5	M6	21	104889
CUB162M5	228 / 270	11 - 12	4	M5	36	104899
CUB162M6	228 / 270	11	3.2	M6	36	104909
CUB172M5	257 / 297	12 - 13	5	M5	41	104919
CUB172M6	257 / 297	12	4	M6	41	104929
CUB182M5	280 / 330	13 - 14	6.3	M5	65	104939
CUB182M6	280 / 330	13	5	M6	65	104949
CUB192M5	320 / 375	15 - 16	8	M5	68	104959
CUB192M6	320 / 375	15	6.3	M6	68	104969



CHB Two sheaves overhead craneblock

- Reinforced design.
- Fast production time
- Other dimensions on request

Model	Sheave Diameter (mm)	Wire Rope Diameter (mm)	WLL	Classification FEM/ISO	Weight (kg)	Product Code
CHB122M5	152 / 175	7 - 8	3.2	M5	17	105169
CHB122M6	152 / 175	7	2.5	M6	17	105179
CHB132M5	172 / 200	8 - 9	4	M5	25	105189
CHB132M6	172 / 200	8	3.2	M6	25	105199
CHB142M5	180 / 210	9 - 10	4	M5	27	105209
CHB142M6	180 / 210	9	4	M6	27	105219
CHB172M5	250 / 297	12 - 13	10	M5	65	105269
CHB172M6	250 / 297	12	8	M6	65	105279



Pulleys, Blocks and Sheaves



CHA - Two sheaves overhead crane block

- Fast production
- Other dimensions on request

Model	Sheave Diameter (mm)	Wire Rope Diameter (mm)	WLL	Classification FEM/ISO	Weight (kg)	Product Code
CHA152M5	200 / 235	10 - 11	6.3	M5	45	105229
CHA152M6	200 / 235	10	5	M6	45	105239
CHA162M5	228 / 270	11 - 12	8	M5	64	105249
CHA162M6	228 / 270	11	6.3	M6	64	105259
CHA172M5	257 / 297	12 - 13	10	M5	76	105289
CHA172M6	257 / 297	12	8	M6	76	105299
CHA182M5	280 / 330	13 - 14	12.5	M5	120	105309
CHA182M6	280 / 330	13	10	M6	120	105319
CHA192M5	320 / 375	15 - 16	16	M5	152	105329
CHA192M6	320 / 375	15	12.5	M6	152	105339
CHA202M5	355 / 425	17 - 18	20	M5	215	105349
CHA202M6	355 / 245	17	16	M6	215	105359
CHA212M5	400 / 470	19 - 20	25	M5	270	105369
CHA212M6	400 / 470	19	20	M5	270	105379

EP III Blocks for Man-Riding Applications

The EP III Blocks for Man-Riding Applications represent Tractel's advanced pulley technology designed specifically for temporary wire rope lifting and personnel transport where rapid installation and removal are essential. These pulleys serve dual-purpose functionality, excelling in both man-riding operations and material handling across construction, industrial maintenance, and access applications. The EP III range offers five distinct models with varying anchoring systems to accommodate different operational requirements and space constraints.

The EP III features a robust construction with black polyamide (PA6G) sheaves and S690Q steel flanges, providing superior durability and performance. The innovative bent flange design delivers dual functionality - protecting hands and fingers from entrapment whilst providing limit detection capability for equipped hoists. The pulleys incorporate an easy-access opening mechanism that facilitates wire rope positioning, with ultimate load capacity rated at 4 times the working load limit for enhanced safety margins.

These pulleys find extensive application in man-riding installations, temporary access systems, and material handling operations where EN 1808 compliance is mandatory. The EP III range is fully compatible with Tractel hoists and offers capacities from 1.6 to 5 tonnes, making them suitable for diverse industrial applications. Available anchoring options include axis mounting for confined spaces, and various hook configurations with safety latches to ensure secure and reliable operation in critical lifting scenarios.

Model	Sheave Diameter (mm)	Wire Rope Diameter (mm)	WLL	Weight (kg)	Product Code
EPA1.6-8/9 III	171 / 198	8 - 9	1.6 t	2.6	252739
EPA2.4-10/12 III	196 / 228.5	10 - 11.5	2.4 t	4.9	252789
EPA5-14/16 III	277.5 / 323.5	14 - 16.3	5 t	11.7	252839
EPC1.6-8-9 III	171 / 198	8 - 9	1.6 t	3.4	252699
EPC2.4-10/12 III	196 / 228.5	10 - 11.5	2.4 t	6.3	252749
EPC5-14/16 III	277.5 / 323.5	14 - 16.3	5 t	14.3	252799
EPE1.6-8/9 III	171 / 198	8 - 9	1.6 t	3.4	252709
EPE2.4-10/12 III	196 / 228.5	10 - 11.5	2.4 t	6.3	252759
EPE5-14/16 III	277.5 / 323.5	14 - 16.3	5 t	14.3	252809
EPF1.6-8/9 III	171 / 198	8 - 9	1.6 t	3.2	252719
EPF2.4-10/12 III	196 / 228.5	10 - 11.5	2.4 t	5.8	252769
EPF5-14/16 III	277.5 / 323.5	14 - 16.3	5 t	13.6	252819
EPL1.6-8/9 III	171 / 198	8 - 9	1.6 t	3.2	252729
EPL2.4-10/12 III	196 / 228.5	10 - 11.5	2.4 t	5.9	252779
EPL5-14/16 III	277.5 / 323.5	14 - 16.3	5 t	13.6	252829



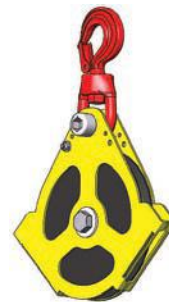
EPA



EPC



EPE



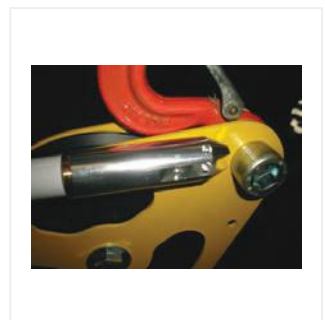
EPF



EPL

Accessories for EP Blocks

Model	Description	Product Code
EP-MCP	Option remote installation	192969
EPBFC	Option limit detection stop	192959



Suspensions



CE – Swivel hook with safety catch

Model	WLL	Weight (kg)	Product Code	jawOpeningMax
C120E	0.8	0.5	104979	19
C121E	1	0.9	104989	22
C125E	1.5	0.9	104999	22
C126E	2.5	1.4	105009	22
C127E	3.2	1.7	105019	25
C128E	5.4	3.3	105029	31
C134E	8	6.8	105039	41
C135E	11	10	105049	47
C136E	16	15	105059	53
C137E	22	26	105069	75



CH High Resistance Anchor Shackle

- High resistance anchor shackle
- Bolt type anchor shackles with thin head bolt-nut, with cotter pin

Model	WLL	Ø	Weight (kg)	Product Code
C036H/6	1	12	0.2	105599
C037H/6	1.5	14	0.22	105609
C039H/6	3.25	20	0.76	105589
C040H/6	4.75	22	1.2	105619
C041H/6	6.5	25	1.5	192269
C042H/6	8.5	30	2.5	192279
C043H/6	12	35	4.5	192289
C044H/6	13.5	38	6.6	192299
C100H/6	2	16	0.44	192648



CJ – Eye hook with safety catch

- Eye hook with safety catch
- Stamped hook
- Mainly fitted on sling or rope

Model	WLL	Weight (kg)	Product Code
C091J	0.8	0.3	105079
C092J	1	0.45	105089
C101J	1.25	0.3	105109
C093J	1.6	0.6	105099
C102J	1.6	0.45	105119
C103J	2.5	0.6	105129
C104J	3.2	0.9	105139
C105J	5.4	1.6	105149
C106J	8	3.5	105159



TOPAL



TOPAL RANGE

Tractel offers a complete range of lifting accessories (clamps, beams, etc.) to facilitate safe lifting and movement of materials.

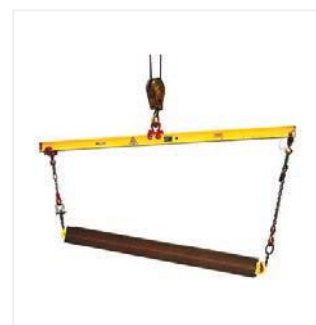
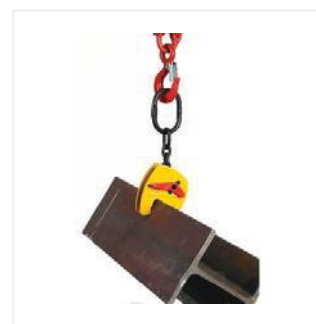
STANDARD PRODUCTS

All standard products exceed the highest safety requirements and are designed from a user's point of view: versatile, robust, simple and suitable for use in building, industry, maritime, on-shore, off-shore, etc. All products are available from stock.

SPECIAL SOLUTIONS

The specialists from the Solutions department design, produce and test a wide variety of special products with a capacity up to 500 t and beyond, in accordance with customer requirements. Special products are: Crane blocks, Rotablocks, lifting beams, wire rope blocks, C-hooks, directional blocks, sheaves, swivels, etc.

All our products are CE & UKCA conform.
They are all delivered with instruction manual + CE/UKCA certificate





TOPAL special designs



Tractel Solutions SAS manufactures on request a wide range of lifting clamps, either derived standard clamps or designed for a special application. From a simple polyurethane coating on an existing clamp up to a completely new design.

Please note: WLL are per unit, not per application.

If you have any special needs, please contact us:

Tractel UK

Phone: 0114 248 2266

Email: sales.uk.tractel@alimakgroup.com



Construction clamps

BX Kerbstone Clamps

- Easy to transport
- Easy to handle
- Great adherence without marking the load.
- Minimised damage risk

Model	WLL	Jaw Opening (mm)	Weight (kg)	Product Code
BX12 1000	120	1000	9	54008
BX02 120-130	200	120 - 300	10	50028



RB Lifting Clamp For Concrete Pipe Sections or Manholes

- Hooks for lifting circular or rectangular concrete manholes
- Manufactured without load bearing welds
- Hot epoxy coating
- Safety factor: 3 (EN 13155.2003 norm)

Model	Description	WLL	Jaw Opening (mm)	Weight (kg)	Product Code
RB1.5 40-110	Lifting clamp	500	40 - 110	9	50728
RBE 1500	Chain 3-hooks, l=1,500 mm for 3 RB clamps	1,500	1500	4.9	50738
RBE 1	2-Leg sling RB1.5 HOOKS	1,000	1500	2.7	52468
RB1.5 E-3	-	1,500		31	54068
RB1.5 E-2	-	1,000		21	54078



Construction clamps

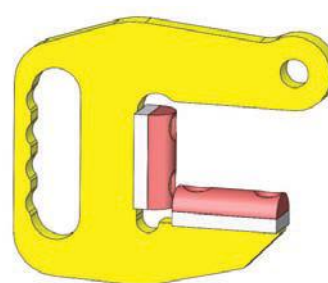
F lifting hook for pipe sections



F Hook



F Hook PVC version



F Hook PU version

- Lifting of horizontal pipes or tubes
- Large capacity hooks
- Quick and easy to use
- Coating possible
- Capacity from 1 to 15 t/pair

Model	WLL	Jaw Opening (mm)	Weight (kg)	Product Code
F2 0-60	1,000	0 - 60	2	189028
F5 0-75	2,500	0 - 75	5	189038
F7.5 0-100	3,750	0 - 100	7.5	185958
F10 - 0-100	5,000	0 - 100	15	189048
F15 0-100	7,500	0 - 100	20	189058

F lifting hook PVC version

for sensitive goods to avoid marking of the surface

Model	WLL	Jaw Opening (mm)	Weight (kg)	Product Code
F2-0-60/IIPVC	1,000	0 - 60	2	185968
F5-0-75/IIPVC	2,500	0 - 75	5	185978
F7.5-0-100/IIPVC	3,750	0 - 100	7.5	185988
F10-0-100/IIPVC	5,000	0 - 100	15	185998
F15-0-100/IIPVC	7,500	0 - 100	20	189008

F lifting hook PU version

for goods with more stable surface to avoid marking

Model	WLL	Jaw Opening (mm)	Weight (kg)	Product Code
F2-0-45/IIPU	1,000	0 - 45	2	189078
F5-0-55/IIPU	2,500	0 - 55	5	189088
F7.5-0-90/IIPU	3,750	0 - 90	7.5	189098
F10-0-90/IIPU	5,000	0 - 90	15	189108
F15-0-90/IIPU	7,500	0 - 90	20	189118



Order products on day 1, will be shipped no later than day 2.



Order products on day 1, will be shipped no later than day 6. Maximum quantities apply for this service.



Available on request. Please enquire about delivery times of these items.

Construction clamps

2-legged chain sling with shackles for F hooks

Slings 2 x F2 / < 2000 kg

Model	Jaw Opening (mm)	Product Code
E2W04000HR/1000	1400	191808
E2W04000HR/2000	2800	191818
E2W04000HR/3000	4200	191828
E2W04000HR/4000	5600	191838
E2W04000HR/5000	7000	191848

Slings 2 x F5 / < 5000 kg

Model	Jaw Opening (mm)	Product Code
E2W06700HR/1000	1400	192158
E2W06700HR/2000	2800	192168
E2W06700HR/3000	4200	192178
E2W06700HR/4000	5600	192188
E2W06700HR/5000	7000	192198

Slings 2 x F7.5 / < 10000 kg

Model	Jaw Opening (mm)	Product Code
E2W11500HR/1000	1400	192258
E2W11500HR/2000	2800	192268
E2W11500HR/3000	4200	192278
E2W11500HR/4000	5600	192288
E2W11500HR/5000	7000	192298

Slings 2 x F10 / < 10000 kg

Model	Jaw Opening (mm)	Product Code
E2W11500HR/1000	1400	192258
E2W11500HR/2000	2800	192268
E2W11500HR/3000	4200	192278
E2W11500HR/4000	5600	192288
E2W11500HR/5000	7000	192298

Slings 2 x F15 / < 15000 kg

Model	Jaw Opening (mm)	Product Code
E2W17000HR/1000	1400	192308
E2W17000HR/2000	2800	192318
E2W17000HR/3000	4200	192328
E2W17000HR/4000	5600	192338
E2W17000HR/5000	7000	192348



Order products on day 1, will be shipped no later than day 2.



Order products on day 1, will be shipped no later than day 6. Maximum quantities apply for this service.



Available on request. Please enquire about delivery times of these items.

Construction clamps

TB Lifting Hook For Pipe Sections

- Quick and easy to use
- Coating possible
- Capacity from 1 to 15 t/pair

Model	WLL	Jaw Opening (mm)	Weight (kg)	Product Code
TB1 0-150	500	0 - 150	4	50798
TB2 0-200	1,000	0 - 200	9	50808
TB3 0-250	1,500	0 - 250	15	50818
TB1 0-125-PU	500	0 - 125	4	189128
TB2 0-175-PU	1,000	0 - 175	9	189138
TB3 0-225-PU	1,500	0 - 225	15	189148

2-legged chain sling with shackles for TB hooks

Slings 2 x TB1/ < 1000 kg

Model	Jaw Opening (mm)	Product Code
E2W01600HR/1000	1400	191708
E2W01600HR/2000	2800	191718
E2W01600HR/3000	4200	191728
E2W01600HR/4000	5600	191738
E2W01600HR/5000	7000	191748

Slings 2 x TB2/ < 2000 kg

Model	Jaw Opening (mm)	Product Code
E2W04000HR/1000	1400	191808
E2W04000HR/2000	2800	191818
E2W04000HR/3000	4200	191828
E2W04000HR/4000	5600	191838
E2W04000HR/5000	7000	191848

Slings 2 x TB3/ < 3000 kg

Model	Jaw Opening (mm)	Product Code
E2W04100HR/1000	1400	191858
E2W04100HR/2000	2800	191868
E2W04100HR/3000	4200	191878
E2W04100HR/4000	5600	191888
E2W04100HR/5000	7000	191898



● Order products on day 1, will be shipped no later than day 2.

● Order products on day 1, will be shipped no later than day 6. Maximum quantities apply for this service.

○ Available on request. Please enquire about delivery times of these items.

Construction clamps

TI - Lifting Clamp For Round Materials and Pipe Sections

- Clamps for lifting & laying horizontal pipes in trenches
- Transport and/ or laying in trenches of pipes, bars, tubes...
- Manufacture without load bearing welds
- Hot epoxy coating
- Safety factor: 3 (EN 13155.2003 norm)
- Chloroprene coating for sensitive goods to avoid marking of the surface

Model	WLL	Jaw Opening (mm)	Weight (kg)	Product Code
TIA05 230-400	500	230 - 400	37	50948
TIS05 230-400	500	230 - 400	35	50938
TIA1 450-900	1,000	450 - 900	64	50988
TIS1 450-900	1,000	450 - 900	64	50978
TIA05 380-650	500	380 - 650	39	50968
TIS05 380-650	500	380 - 650	39	50958
TIA 380-650 CR	500	380 - 650	39	189188
TIS 380-650 CR	500	380 - 650	39	189178
TIA 230-400 CR	500	230 - 400	37	189168
TIS 230-400 CR	500	230 - 400	35	189158
TIA1 450-900 CR	1,000	450 - 900	64	189208
TIS1 450-900 CR	1,000	450 - 900	64	189198

S = Automatic laying down

A = Automatic clamping and laying down

CR = Chloroprene coating



Order products on day 1, will be shipped no later than day 2,

Order products on day 1, will be shipped no later than day 6. Maximum quantities apply for this service.

Available on request. Please enquire about delivery times of these items.

Vertical plate clamps



KF Clamp

- Vertical lifting
- Handling of unit steel loads
- Spring safety system
- Hardness 300 HB

Model	WLL	Jaw Opening (mm)	Weight (kg)	Product Code
KF 1 0-22	1,000	0 - 22	3.8	189418
KF 2 0-30	2,000	0 - 30	6.3	189428
KF 3 0-35	3,000	0 - 35	9.6	189438
KF 5 0-50	5,000	0 - 50	19	189448



KT clamp

- Lifting and tilting, vertical to horizontal
- Handling of unit steel loads
- Spring safety system
- Hardness 300 HB

Model	WLL	Jaw Opening (mm)	Weight (kg)	Product Code
KT 0.5 0-15	500	0 - 15	2	189918
KT 1 0-20	1,000	0 - 20	4.5	189928
KT 2 0-25	2,000	0 - 25	7.3	189938
KT 3 0-30	3,000	0 - 30	15	189948
KT 5 0-50	5,000	0 - 50	21.6	189958
KT 8 45-80	8,000	45 - 80	38.3	189968

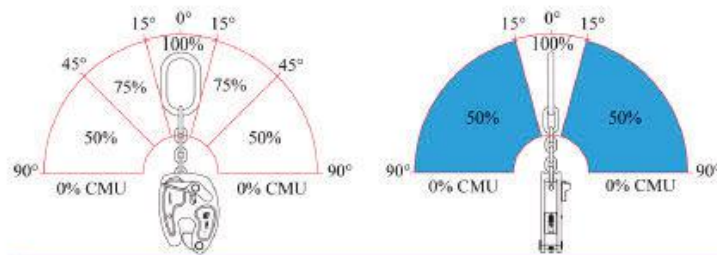


Vertical plate clamps

KS - Multi-Position Lifting Clamp

- Horizontal and vertical use
- Manual release
- One-sided mark
- Spare parts kits available.
- Safety coefficient according to EN 13155
- Pliers tested individually before delivery
- Hot epoxy coating
- Hardness up to 300 HB

Model	WLL	Jaw Opening (mm)	Weight (kg)	Product Code
KS075 0-15	750	0 - 15	1.55	50238
KS1 0-20	1,000	0 - 20	3.5	50248
KS2 0-25	2,000	0 - 25	6.26	50258
KS3 0-30	3,000	0 - 30	12.1	50268



		LIFTING	TURNING
VERTICAL PLATE	ONE CLAMP	<p>WLL at 100% +/- 15° around the vertical</p>	<p>WLL reduced with 50%</p>
	2 CLAMPS WITHOUT LIFTING BEAM	<p>WLL reduced with 50% if lifting angle exceeds 30°</p>	
HORIZONTAL PLATE	ONE CLAMP		<p>WLL reduced with 50%</p>
	2 CLAMPS WITH LIFTING BEAM	<p>WLL reduced with 50%</p>	
	2 CLAMPS WITHOUT LIFTING BEAM		

Vertical plate clamps



NK - Automatic Lifting Clamp

- Horizontal and vertical use
- Closes automatically
- Manual release
- Hot epoxy coating
- Hardness up to 330 HB

Model	WLL	Jaw Opening (mm)	Weight (kg)	Product Code
NK1 0-20	1,500	0 - 20	4	50288
NK1 20-40	1,500	20 - 40	6	50298
NK1 40-60	1,500	40 - 60	6	50308
NK2 0-30	3,000	0 - 30	13	50318
NK2 30-60	3,000	30 - 60	15	50328
NK2 60-90	3,000	60 - 90	17	50338
NK3 0-40	4,500	0 - 40	25	50348
NK3 40-80	4,500	40 - 80	26	50358
NK3 80-120	4,500	80 - 120	27	50368
NK5 0-50	7,500	0 - 50	42	50378
NK5 50-100	7,500	50 - 100	50	50388
NK5 100-150	7,500	100 - 150	60	50398



NX - NXR Automatic Lifting Clamp

- Non-marking
- Horizontal and vertical use
- Closes automatically
- Manual release
- Hot epoxy coating

Model	WLL	Jaw Opening (mm)	Weight (kg)	Product Code
NX05 0-20	500	0 - 20	4.5	50408
NX1.5 0-30	1,500	0 - 30	11	50418
NXR05 0-100	500	0 - 100	6	50428
NXR05 20-120	500	20 - 120	5.8	50438
NXR05 40-140	500	40 - 140	6	50448



Horizontal plate magnets

magfor™ - Permanent magnet lifters

Magfor II Lifting Magnet

- Permanent magnet lifter
- Capacity up to 5t
- Very powerful
- Large lifting eye
- Robust
- Use: -20 to +80 °C

Model	W.L.L. (Plate/Flat)	W.L.L. (Round)	Weight (kg)	Product Code
magfor™ II 100	100	50	4	185438
magfor™ II 300	300	125	9.5	185448
magfor™ II 500	500	215	18	185458
magfor™ II 1000	1,000	450	41.5	185468
Magfor™ II 2000	2,000	800	113	185478
magfor™ II 3000	3,000	1,200	190	192138
magfor™ II 5000	5,000	2,400	400	192148





Magfor II HT Lifting Magnet


- Permanent magnet lifter
- High-temperature applications
- Material: $\leq +250$ °C
- In accordance with EN 13155:2003 standard

Model	W.L.L. (Plate/Flat)	W.L.L. (Round)	Weight (kg)	Product Code
magfor™ II 200 HT	200	100	9.5	185518
magfor™ II 400 HT	400	200	18	185548
Magfor II 800 HT	800	400	41.5	185578



 Order products on day 1, will be shipped no later than day 2,

 Order products on day 1, will be shipped no later than day 6. Maximum quantities apply for this service.

 Available on request. Please enquire about delivery times of these items.

Horizontal plate clamps

magfor™ - Permanent magnet lifters



Magfor II HO Lifting Magnet

- Permanent magnet lifter
- 4 thread holes
- Customized assembly
- In accordance with EN 13155:2003 standard

Model	W.L.L. (Plate/Flat)	W.L.L. (Round)	Weight (kg)	Product Code
magfor™ II 100 HO	100	50	4	185508
magfor™ II 300 HO	300	125	9.5	185538
Magfor II 500 HO	500	215	18	185568
magfor™ II 1000 HO	1,000	450	41.5	185588



Magfor II TP Lifting Magnet

- Permanent magnet lifter
- Designed to separate thin plates in a bundle
- Separating thin plates
- Unique magnetic field

Model	W.L.L. (Plate/Flat)	Weight (kg)	Product Code
magfor™ II 180 TP	180	9.5	185528
magfor™ II 300 TP	300	18	185558



Magfor Auto

The Magfor Auto provides an advanced battery-powered lifting solution for flat and round materials in mechanical engineering, tool manufacturing, steel construction, and warehouses. This electro-permanent lifting magnet operates independently of mains power supply, utilising lithium-ion battery technology for portable operation.

The system consumes no battery power during lifting, requiring only brief current pulses for magnetising and demagnetising operations.

Engineered with electro-permanent technology and the ADPREM safety system, the Magfor Auto prevents accidental demagnetisation when loads are suspended whilst maintaining full holding force during power failures. The lithium-ion battery charges in approximately 3 hours using a mains charger, providing extended operational capability. Available switching modes include manual operation via push-button control or automatic operation by raising and lowering the lifting magnet.

Industrial applications include mechanical engineering, plant engineering, steel mills, cutting operations, and material handling in warehouses and shipbuilding facilities. Two magnets can be attached to small-size beams for enhanced lifting capability, whilst crane compatibility extends operational versatility. Available in working load limits of 200kg, 500kg, and 950kg with corresponding test loads of 600kg, 1500kg, and 2850kg respectively.



Model	WLL kg (Plate/Flat)	WLL kg (Round)	Product Code
Magfor Auto 200	200	50	192208
Magfor Auto 500	500	200	192218
Magfor Auto 950	1,000	400	192228
Spare battery for Magfor Auto 500 & 950	-	-	192238



● Order products on day 1, will be shipped no later than day 2.

● Order products on day 1, will be shipped no later than day 6. Maximum quantities apply for this service.

○ Available on request. Please enquire about delivery times of these items.

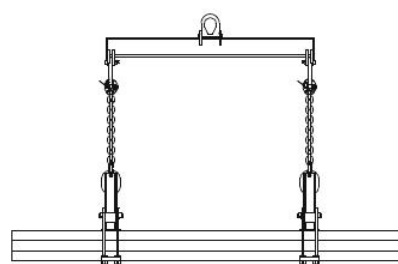
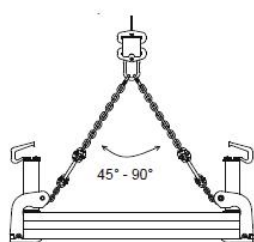
Horizontal plate clamps

TLC Lifting Clamp

- Universal clamps for lifting horizontal plates
- Lifting thin or thick loads
- Manufactured without load bearing welds
- Hot epoxy coating
- Safety factor: 3 (EN 13155.2003 norm)
- Sling angle 45° to 90°



Model	WLL	Jaw Opening (mm)	Weight (kg)	Product Code
TLC1	500	0 - 150	12	50998
TLC2.5	1,250	0 - 150	15	51008
TLC4	2,000	0 - 150	17	51018
TLC6	3,000	0 - 150	22	51028



2-legged chain sling with shackles for TB hooks

Slings 2x TLC 1 / ≤ 1000kg

Model	Jaw Opening (mm)	Product Code
E2W01600C0/1000	1400	191008
E2W01600C0/2000	2800	191018
E2W01600C0/3000	4200	191028
E2W01600C0/4000	5600	191038
E2W01600C0/5000	7000	191048

Slings 2x TLC 2.5 / ≤ 2500kg

Model	Jaw Opening (mm)	Product Code
E2W04000C0/1000	1400	191108
E2W04000C0/2000	2800	191118
E2W04000C0/3000	4200	191128
E2W04000C0/4000	5600	191138
E2W04000C0/5000	7000	191148

Slings 2x TLC 4 / ≤ 4000kg

Model	Jaw Opening (mm)	Product Code
E2W06300C0/1000	1400	191208
E2W06300C0/2000	2800	191218
E2W06300C0/3000	4200	191228
E2W06300C0/4000	5600	191238
E2W06300C0/5000	7000	191248

Slings 2x TLC 6 / ≤ 6000kg

Model	Jaw Opening (mm)	Product Code
E2W06700C0/1000	1400	191258
E2W06700C0/2000	2800	191268
E2W06700C0/3000	4200	191278
E2W06700C0/4000	5600	191288
E2W06700C0/5000	7000	191298

Horizontal plate clamps

3-legged chain sling with shackles for TB hooks

Slings 3 x TLC 1 / ≤ 1500 kg

Model	Jaw Opening (mm)	Product Code
E3W02400C0/1000	1400	191358
E3W02400C0/2000	2800	191368
E3W02400C0/3000	4200	191378
E3W02400C0/4000	5600	191388
E3W02400C0/5000	7000	191398

Slings 3 x TLC 2.5 / < 3750 kg

Model	Jaw Opening (mm)	Product Code
E3W06000C0/1000	1400	191458
E3W06000C0/2000	2800	191468
E3W06000C0/3000	4200	191478
E3W06000C0/4000	5600	191488
E3W06000C0/5000	7000	191498

Slings 3 x TLC 4 / < 6000 kg

Model	Jaw Opening (mm)	Product Code
E3W08500C0/1000	1400	191558
E3W08500C0/2000	2800	191568
E3W08500C0/3000	4200	191578
E3W08500C0/4000	5600	191588
E3W08500C0/5000	7000	191598

Slings 3 x TLC 9 / < 9000 kg

Model	Jaw Opening (mm)	Product Code
E3W10700C0/1000	1400	191608
E3W10700C0/2000	2800	191618
E3W10700C0/3000	4200	191628
E3W10700C0/4000	5600	191638
E3W10700C0/5000	7000	191648



Order products on day 1, will be shipped no later than day 2.

Order products on day 1, will be shipped no later than day 6. Maximum quantities apply for this service.

Available on request. Please enquire about delivery times of these items.

Horizontal plate clamps



TLR Lifting Clamp

- Adjustable clamps for horizontal plates
- Use in pairs for lifting plates or sheets, individual or in bundles
- Hot epoxy coating
- Safety factor: 3 (EN 13155)

Model	WLL	Jaw Opening (mm)	Weight (kg)	Product Code
TLR2 0-300	1,000	0 - 300	9	51158
TLR3 0-300	1,500	0 - 300	14	51168
TLR5 0-300	2,500	0 - 300	22	51178
TLR10 0-300	5,000	0 - 300	29	51188



TLH Lifting Clamp

- Horizontal plate clamps
- Use in pairs for lifting horizontal plates or sheet metals
- Hot epoxy coating
- Safety factor: 3 (EN 13155.2003 norm)

Model	WLL	Jaw Opening (mm)	Weight (kg)	Product Code
TLH1 0-60	500	0 - 60	3	51038
TLH1 0-120	500	0 - 120	5	51048
TLH2 0-60	1,000	0 - 60	5	51058
TLH2 0-120	1,000	0 - 120	8	51068
TLH3 0-60	1,500	0 - 60	6	51078
TLH3 0-150	1,500	0 - 150	13	51088
TLH4 0-60	2,000	0 - 60	8	51098
TLH4 0-150	2,000	0 - 150	17	51108
TLH5 0-60	2,500	0 - 60	10	51118
TLH5 0-150	2,500	0 - 150	21	51128
TLH10 0-60	5,000	0 - 60	16	51138
TLH10 0-150	5,000	0 - 150	31	51148
TLH1 0-40-PU	500	0 - 40	3	189218
TLH1 0-100-PU	500	0 - 100	5	189228
TLH2 0-40-PU	1,000	0 - 40	5	189238
TLH2 0-100-PU	1,000	0 - 100	8	189248
TLH3 0-40-PU	1,500	0 - 40	6	189258
TLH3 0-130-PU	1,500	0 - 130	13	189268
TLH4 0-40-PU	2,000	0 - 40	8	189278
TLH4 0-130-PU	2,000	0 - 130	17	189288
TLH5 0-40-PU	2,500	0 - 40	10	189298
TLH5 0-130-PU	2,500	0 - 130	21	189308
TLH10 0-40-PU	5,000	0 - 40	16	189318
TLH10 0-130-PU	5,000	0 - 130	31	189328



PU = polyurethane coating

Horizontal plate clamps

2-legged chain sling with shackles for TLH/TLR clamps

Sling 2 x TLH 1 / ≤ 1.000 kg

Model	Jaw Opening (mm)	Product Code
E2W01600C0/1000	1000	191008
E2W01600C0/2000	2000	191018
E2W01600C0/3000	3000	191028
E2W01600C0/4000	4000	191038
E2W01600C0/5000	5000	191048

2 x TLH 10 / ≤ 10.000 kg

Model	Jaw Opening (mm)	Product Code
E2W11500C0/1000	1000	191308
E2W11500C0/2000	2000	191318
E2W11500C0/3000	3000	191328
E2W11500C0/4000	4000	191338
E2W11500C0/5000	5000	191348

Slings 2x TLH 2-3 / ≤ 2.000 kg - ≤ 3.000 kg

Model	Jaw Opening (mm)	Product Code
E2W04000C0/1000	1000	191108
E2W04000C0/2000	2000	191118
E2W04000C0/3000	3000	191128
E2W06300C0/4000	4000	191138
E2W06300C0/5000	5000	191148

Slings 2x TLH 4-5 / ≤ 4.000 kg - ≤ 5.000 kg

Model	Jaw Opening (mm)	Product Code
E2W06300C0/1000	1000	191208
E2W06300C0/2000	2000	191218
E2W06300C0/3000	3000	191228
E2W06300C0/4000	4000	191238
E2W06300C0/5000	5000	191248

3-legged chain sling with shackles for TLH/TLR clamps

3 x TLH 1 / ≤ 1.500 kg

Model	Jaw Opening (mm)	Product Code
E3W024000C0/1000	1000	191358
E3W024000C0/2000	2000	191368
E3W024000C0/3000	3000	191378
E3W024000C0/4000	4000	191388
E3W024000C0/5000	5000	191398

3 x TLH 10 / ≤ 15.000 kg

Model	Jaw Opening (mm)	Product Code
E3W17000C0/1000	1000	191658
E3W17000C0/2000	2000	191668
E3W17000C0/3000	3000	191678
E3W17000C0/4000	4000	191688
E3W17000C0/5000	5000	191698

Slings 3 x TLH 2-3 / ≤ 3.000kg - ≤ 4.500kg

Model	Jaw Opening (mm)	Product Code
E3W06000C0/1000	1000	191458
E3W06000C0/2000	2000	191468
E3W06000C0/3000	3000	191478
E3W06000C0/4000	4000	191488
E3W06000C0/5000	5000	191498

Slings 3 x TLH 4-5 / ≤ 6.000kg - ≤ 7.500kg

Model	Jaw Opening (mm)	Product Code
E3W08500C0/1000	1000	191558
E3W08500C0/2000	2000	191568
E3W08500C0/3000	3000	191578
E3W08500C0/4000	4000	191588
E3W08500C0/5000	5000	191598

Horizontal plate hooks



QR - Double Lifting Hook

- Double hooks for lifting horizontal plates
- Use in pairs with a 4-legged sling
- Manufactured without load bearing welds
- Hot epoxy coating
- Safety factor: 3 5EN 13155.2003 norm°

Model	WLL	Jaw Opening (mm)	Weight (kg)	Product Code
QR3 0-300	1,500	300	18	50648
QR6 0-300	3,000	300	23	50658
QR12 0-300	6,000	300	57.5	50668



QS Single Lifting Hook

Single lifting hook for the horizontal transport of plates, bundles or construction parts. For use in configurations of 4 or more clamps. Lifting chain available upon request. Opening 300 mm, very suitable for thick plates.

Use in 4s with two 2-legged slings and lifting beam.

- Fixed model 300 mm
- Easy to use
- Hot epoxy coating

Model	WLL	Jaw Opening (mm)	Weight (kg)	Product Code
QS1,5 0-300	750	300	7	50678
QS3 0-300	1,500	300	10	50688
QS6 0-300	3,000	300	15	50698



QX - Double Lifting Hook

- Double hooks for separating & lifting horizontal plates
- Use in pairs with a 2-legged sling
- Manufactured without load bearing welds
- Hot epoxy coating
- Safety factor: 3 (EN 13155.2003 norm)

Model	WLL	Jaw Opening (mm)	Weight (kg)	Product Code
QX10-120	5,000	120	30	50708
QX10-210	5,000	210	38	50718



2-legged chain sling with shackles for QX hook

Slings 2x QX10 / ≤ 10000 kg

Model	Jaw Opening (mm)	Product Code
E2W11500HR/1000	1000	192258
E2W11500HR/2000	2000	192268
E2W11500HR/3000	3000	192278
E2W11500HR/3000	4000	192288
E2W11500HR/5000	5000	192298

Horizontal plate clamps

4-legged chain sling with shackles for QR hook

Slings 4 x QR3 / < 3000 kg

Model	Jaw Opening (mm)	Product Code
E4W04000HR/1000	1000	192358
E4W04000HR/2000	2000	192368
E4W04000HR/3000	3000	192378
E4W04000HR/4000	4000	192388
E4W04000HR/5000	5000	192398

Slings 4 x QR6 / < 6000 kg

Model	Jaw Opening (mm)	Product Code
E4W6700HR/1000	1000	192408
E4W6700HR/2000	2000	192418
E4W6700HR/3000	3000	192428
E4W6700HR/4000	4000	192438
E4W6700HR/5000	5000	192448

Slings 4 x QR12 / < 12 000 kg

Model	Jaw Opening (mm)	Product Code
E4W12900HR/1000	1000	192458
E4W12900HR/2000	2000	192468
E4W12900HR/3000	3000	192478
E4W12900HR/4000	4000	192488
E4W12900HR/5000	5000	192498



2-legged chain sling with shackles for QS hook

Sling 2 x QS1.5 / < 1500kg

Model	Jaw Opening (mm)	Product Code
E2W01600HR/1000	1000	191708
E2W01600HR/2000	2000	191718
E2W01600HR/3000	3000	191728
E2W01600HR/4000	4000	191738
E2W01600HR/5000	5000	191748

Sling 2 x QS3 / < 3000kg

Model	Jaw Opening (mm)	Product Code
E2W04000HR/1000	1000	191808
E2W04000HR/2000	2000	191818
E2W04000HR/3000	3000	191828
E2W04000HR/4000	4000	191838
E2W04000HR/5000	5000	191848

Sling 2 x QS6 / < 6000kg

Model	Jaw Opening (mm)	Product Code
E2W06700HR/1000	1000	192158
E2W06700HR/2000	2000	192168
E2W06700HR/3000	3000	192178
E2W06700HR/4000	4000	192188
E2W06700HR/5000	5000	192198



Drum Clamps



HF Drum Clamp

- Semi-automatic clamp for lifting horizontal steel drums with rim
- Manufactured without load bearing welds
- Hot epoxy coating
- Safety factor: 3 (EN 13155.2003 standard)

Model	WLL	Jaw Opening (mm)	Weight (kg)	Product Code
HF05 440-920	500	440 - 920	6	50208



VDL Drum Clamp

- Lifting of steel drums with rim
- Vertical or horizontal position
- Manufacture without load bearing welds
- Hot epoxy coating
- Safety factor: 3 (EN 13155.2003 norm)

Model	WLL	Jaw Opening (mm)	Weight (kg)	Product Code
VDL-1	1,000	150 - 950	3.5	54398



VLF Drum Clamp

- Clamps for lifting vertical steel drums with rim
- Manufacture without load bearing welds
- Hot epoxy coating
- Safety factor: 3 (EN 13155.2003 norm)

Model	WLL	Jaw Opening (mm)	Weight (kg)	Product Code
VLF05 600	500	600	6.7	51268
VLF08 600	800	600	9.6	51278



Drum clamps

VFR Drum Clamp

- Semi-automatic clamps for vertical steel drum lifting
- Manufacture without load bearing welds
- Hot epoxy coating
- Safety factor: 3 (EN 13155.2003 norm)

Model	WLL	Jaw Opening (mm)	Weight (kg)	Product Code
VFR05 5	500	400 - 500	12	51248
VFR05 6	500	500 - 600	14	51258



VFA Drum Clamp

- Lifting of steel drums
- Vertical position (with diameter 600 mm)
- Manufactured without load bearing welds
- Hot epoxy coating
- Safety factor: 3 (EN 13155.2003 norm.)

Model	WLL	Jaw Opening (mm)	Weight (kg)	Product Code
VFA 025	300	600	24	51208





VFB Drum Clamp


- VFB03-S: semi-automatic release.
- VFB03-A: fully automatic locking and release.
- VFB03-AR: with reduction gear for emptying the contents of the drum accurately and effortlessly.
- Tilting the drums
- Handles for easy use
- Durable
- Clamping jaw with nitrile finish for optimal grip
- Available in 3 versions
- Hot epoxy coating

Model	WLL	Jaw Opening (mm)	Weight (kg)	Product Code
VFB 03 S	300	600	53	51218
VFB 03 A	300	600	54	51228
VFB 03 AR	300	600	66	51238



 Order products on day 1, will be shipped no later than day 2,

 Order products on day 1, will be shipped no later than day 6. Maximum quantities apply for this service.

 Available on request. Please enquire about delivery times of these items.

Tubes and girder clamps



GP - Beam Clamp with Screw Spindle

- Beam clamp
- Provides a fixed or temporary suspension point
- Lifting of I or H profiles
- Manufacture without load bearing welds
- Hot epoxy coating
- Safety factor: 3 (EN 13155.2003 norm)

Model	WLL	Jaw Opening (mm)	Weight (kg)	Product Code
GP1 60-180	1,000	60 - 180	3.6	50158
GP2 60-200	2,000	60 - 200	5.6	50168
GP3 60-300	3,000	60 - 300	8.4	50178
GP5 100-390	5,000	100 - 390	10.8	50188
GP10 100-390	10,000	100 - 390	20.5	50198



KP Lifting Clamp For Beam Profiles

This clamp features a safety mechanism that locks the cam onto the load as soon as tension is applied. Its wide jaw range allows secure gripping of both wide and narrow flanges, and a spring-loaded cam maintains pressure even when the load is set down. The KP clamp is epoxy-coated and tested to 1.5 times the working load limit (WLL) for increased reliability.

Ideal for construction, fabrication, and infrastructure work, the KP clamp supports both vertical and rotational lifting tasks. The design includes a handle for easy positioning and allows 180° turning of structural profiles during installation or assembly.

Model	WLL	Jaw Opening (mm)	Weight (kg)	Product Code
KP1 0-20	1,500	0 - 20	4	50218
KP2 0-30	3,000	0 - 30	10	50228



PL Lifting Clamp For Beam Profiles

- Semi-automatic girder clamps
- Lifting of I or H-profiled girders
- Manufacture without load bearing welds
- Hot epoxy coating
- Safety factor: 3 (EN 13155.2003 norm)
- Unique safety device preventing the clamp to be fully closed

Model	WLL	Jaw Opening (mm)	Weight (kg)	Product Code
PL1 95-200	1,000	95 - 200	4	185328
PL2 120-300	2,000	120 - 300	8	185338
PL3 180-450	3,000	180 - 450	16	185348
PL4 120-300	4,000	120 - 300	14	185358

Tubes and girder clamps

PR - Lifting Clamp For Rail Profile

- Semi-automatic rail clamps
- Lifting of vignole type rails
- Manufacture without load bearing welds
- Hot epoxy coating
- Safety factor: 3 (EN 13155.2003 norm)

Model	WLL	Jaw Opening (mm)	Weight (kg)	Product Code
PR1 20-40	1,000	20 - 40	4	185308
PR2 40-80	2,000	40 - 80	9	185318
PR2A 40-80	2,000	40 - 80	9	185428



RT - Lifting Clamp For Round Materials and Pipe Sections

- Semi-automatic clamps for round bars & tubes
- Lifting of round or square bars, tubes...
- Hot epoxy coating
- Safety factor: 3 (EN 13155.2003 norm)
- Manufacture without load bearing welds

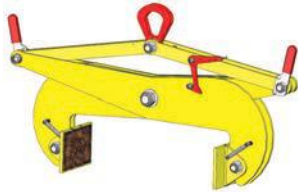
Model	WLL	Jaw Opening (mm)	Weight (kg)	Product Code
RT05 50-100	500	50 - 100	4	185368
RT1 100-200	1,000	100 - 200	9	185378
RT2 200-350	2,000	200 - 350	28	185388
RT3 250-450	3,000	250 - 450	40	185398
RTA1 100-200	1,000	100 - 200	9	189808
RTA2 200-350	2,000	200 - 350	28	189818
RTA3 250-450	3,000	250 - 450	40	189828
RT05 50-100-TC	500	50 - 100	4	189338
RT1 100-200-TC	1,000	100 - 200	9	189348
RT2 200-350-TC	2,000	200 - 350	28	189358
RT3 250-450-TC	3,000	250 - 450	40	189368
RTA05 50-100-TC	500	50 - 100	4	189838
RTA1 100-200-TC	1,000	100 - 200	9	189848
RTA2 200-350-TC	2,000	200 - 350	28	189858
RTA3 250-450-TC	3,000	250 - 450	40	189868
RT05 50-100-CR	500	50 - 100	4	189378
RTA05 50-100-CR	500	50 - 100	4	189878
RT1 100-200-CR	1,000	100 - 200	9	189388
RTA1 100-200-CR	1,000	100 - 200	9	189888
RT2 200-350-CR	2,000	200 - 350	28	189398
RTA2 200-350-CR	2,000	200 - 350	28	189898
RT3 250-450-CR	3,000	250 - 450	40	189408
RTA3 250-450-CR	3,000	250 - 450	40	189908



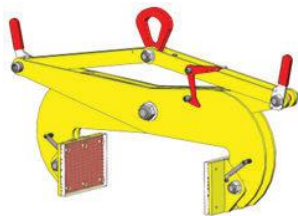
RT = Automatic release
RTA = Automatic clamping and release

TC = Curved pads
CR = Curved pads with 2 mm chloroprene coating

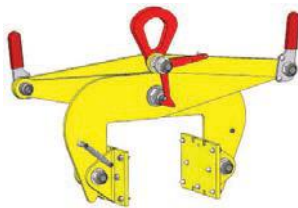
Parallel sides load clamp



with grained pads



with PU pads



with spiked pads

A = automatic one

PO = spiked

APO = automatic spiked

MG = grained

AMG = automatic grained

PU = Polyurethane coating pads

APU = Automatic one with polyurethane coating pads

PB Block Clamp

- Semi-automatic clamps for loads with parallel sides
- Lifting without marking of products
- Manufacture without load bearing welds
- Hot epoxy coating
- Safety factor: 3 (EN 13155.2003 norm)

Model	WLL	Jaw Opening (mm)	Weight (kg)	Product Code
PB05 0-100	500	0 - 100	10	50458
PB05 100-250	500	100 - 250	12	50468
PB05 200-500	500	200 - 500	20	50478
PB1 0-200	1,000	0 - 200	25	50488
PB1 0-200 / A	1,000	0 - 200	23	189488
PB1 200-500	1,000	200 - 500	47	50498
PB1 200-500 / A	1,000	200 - 500	48	189498
PB1 500-800	1,000	500 - 800	71	50508
PB1 500-800 / A	1,000	500 - 800	71	189508
PB1 700-1000	1,000	700 - 1000	78	50518
PB1 700-1000 / A	1,000	700 - 1000	95	189518

PB - grained pads

Model	WLL	Jaw Opening (mm)	Weight (kg)	Product Code
PB05 0-100 MG	500	0 - 100	10 kg	189668
PB05 100-250 MG	500	100 - 250	12	189678
PB05 200-500 MG	500	200 - 500	19	189688
PB1 0-200 MG	1,000	0 - 200	25	189698
PB1 0-200 AMG	1,000	0 - 200	25	192098
PB1 200-500 MG	1,000	200 - 500	48	189708
PB1 200-500 AMG	1,000	200 - 500	48	192108
PB1 500-800 MG	1,000	500 - 800	75	189718
PB1 500-800 AMG	1,000	500 - 800	75	192118
PB1 700-1000 MG	1,000	700 - 1000	99	189728
PB1 700-1000 AMG	1,000	700 - 1000	99	192128

PB - spiked pads

Model	WLL	Jaw Opening (mm)	Weight (kg)	Product Code
PB05 0-100 / PU	500	0 - 100	9	189528
PB05-100-250 PU	500	100 - 250	18	189538
PB05 200-500 / PU	500	200 - 500	18	189548
PB1 0-200 / PU	1,000	0 - 200	23	189558

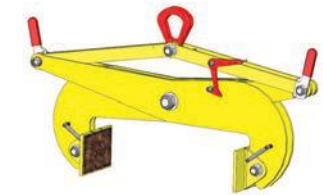
Parallel sides load clamp

PB - spiked pads

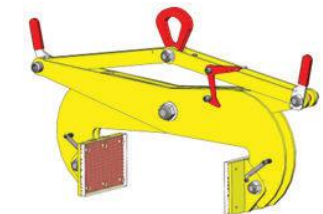
Model	WLL	Jaw Opening (mm)	Weight (kg)	Product Code
PB1 0-200 APO	1,000	0 - 200	23	192028
PB1 200-500 PO	1,000	200 - 500	46	189638
PB1 200-500 APO	1,000	200 - 500	46	192038
PB1 500-800 PO	1,000	500 - 800	71	189648
PB1 500-800 APO	1,000	500 - 800	71	192048
PB1 700-1000 PO	1,000	700 - 1000	95	189658
PB1 700-1000 APO	1,000	700 - 1000	95	192058

PB - Polyurethane coating pads

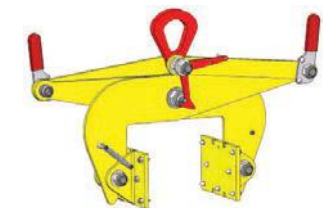
Model	WLL	Jaw Opening (mm)	Weight (kg)	Product Code
PB05 0-100 / PU	500	0 - 100	9	189528
PB05 100-250 PU	500	100 - 250	18	189538
PB05 200-500 / PU	500	200 - 500	18	189548
PB1 0-200 / PU	1,000	0 - 200	23	189558
PB1 0-200 / APU	1,000	0 - 200	23	191958
PB1 200-500 / PU	1,000	200 - 500	46	189568
PB1 200-500 / APU	1,000	200 - 500	46	191968
PB1 500-800 / PU	1,000	500 - 800	71	189578
PB1 500-800 / APU	1,000	500 - 800	71	191978
PB1 700-1000 / PU	1,000	700 - 1000	95	189588
PB1 700-1000 / APU	1,000	700 - 1000	95	191988
PB3 200-500 / PU	3,000	200 - 500	131	88368
PB3 200-500 / APU	3,000	200 - 500	130	192528
PB3 500-800 / PU	3,000	500 - 800	181	88378
PB3 500-800 / APU	3,000	500 - 800	177	192538



with grained pads



with PU pads



with spiked pads

- A = automatic one
- PO = spiked
- APO = automatic spiked
- MG = grained
- AMG = automatic grained
- PU = polyurethane coating pads
- APU = Automatic one with polyurethane coating pads

PP Block Clamp

Model	WLL	Jaw Opening (mm)	Weight (kg)	Product Code
PP1 200-1000	1,000	200 - 1000	41	50608
PP1-200-1000 PU	1,000	200 - 1000	42	189738
PP1-200-1000 PO	1,000	200 - 1000	41	189748
PP1-200-1000 MG	1,000	200 - 1000	43	189758



Load Positioning



TC Load Positioning Lifting Eye

- Load positioning
- For single wire rope
- Automatic locking
- Large lifting eye
- Easy to use

Model	WLL @ 45°	WLL @ 90°	WLL @ 120°	Wire Rope Diameter (mm)	Weight (kg)	Product Code
TC2 11	2 000	1 400	7 000	11	3	50828
TC3 13	3 000	2 100	1 500	13	5	50838
TC5 18	5 000	3 500	2 500	18	10	50848



TE Load Positioning Lifting Eye

- Load positioning
- For lifting chain
- Automatic locking
- Large lifting eye
- Easy to use

Model	WLL	Wire Rope Diameter (mm)	Weight (kg)	Product Code
TE1.6-7	1,600	7	4	50858
TE3-10	3,000	10	11	50868
TE4.5-13	4,500	13	19	50878



TF Load Positioning Lifting Eye

- Load positioning
- For double wire rope
- Automatic locking
- Large lifting eye
- Easy to use

Model	WLL @ 45°	Wire Rope Diameter (mm)	Weight (kg)	Product Code
TF1.5-9	1 500	9	4	50888
TF3-13.2	3 000	13	8.5	50898
TF5-16.8	5 000	17	21.5	50908
TF10-24	10 000	24	37.5	50918
TF20-32	20 000	32	76.5	50928



Order products on day 1, will be shipped no later than day 2,



Order products on day 1, will be shipped no later than day 6. Maximum quantities apply for this service.

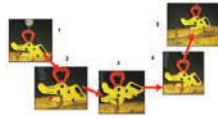


Available on request. Please enquire about delivery times of these items.

Various loads

AH - Autohook Lifting Hook

- Automatic safety hook
- Manufacture without load bearing welds
- Hot epoxy coating
- Static test coefficient : 2



Model	WLL (kg)	Jaw Opening (mm)	Weight (kg)	Product Code
AH2-32	2,000	0 - 38	6	185278
AH5-40	5,000	0 - 47.5	16	185288
AH10-40	10,000	0 - 55	30	185298



open position



closed position

CC Container Lug

- Container lugs
- Lifting of containers by their standard ISO corners
- CCB: lifting with a single lifting beam and two 2-legged slings.
- CCV: lifting with a spreader frame and 4 slings.
- Manufacture without load bearing welds
- Hot epoxy coating
- Safety factor: 3 (EN 13155.2003 norm)

Model	WLL (kg)	Weight (kg)	Product Code
CC7.5 V	7,500	4	50038
CC12.5 V	12,500	5	50048
CC7.5 B	7,500	4	50058
CC12.5 B	12,500	5	50068



CR C Shaped Lifting Hook for Coils

- C-hooks for lifting and turning coils
- turning or lifting over from the horizontal to the vertical position & vice versa.
- Manufacture without load bearing welds
- Hot epoxy coating
- Safety factor: 3 (EN 13155.2003 norm)

Model	WLL (kg)	Coil Width (mm)	Weight (kg)	Product Code
CR05 50-120	500	50-120	5.5	50078
CR1 70-140	1,000	70-140	9	50088
CR2 100-200	2,000	100-200	16	50098
CR2 160-330	2,000	160-330	31	50108



open position



closed position

Various loads



PC Fork-Lift Truck Lifting Beam

- Lifting eye for fork-lift truck
- Quick and easy to install
- Unique design
- Safe to use
- Hot applied epoxy coating

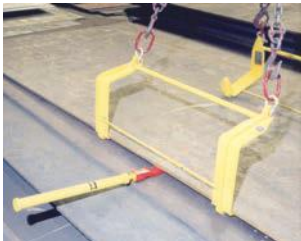
Model	WLL	Fork Width	Weight (kg)	Product Code
PC1.5 120	1,500	120	15	50528
PC3 170	3,000	170	23	50538



T0 Lifting Hook for Cable Reels

- Universal cable drum hooks
- Cable drum lifting.
- Manufacture without load bearing welds
- Hot epoxy coating
- Safety factor: 3 (EN 13155.2003 norm)

Model	WLL	Lifting Eye Radius	Weight (kg)	Product Code
To13	6,500	27	3	51198



LT Bar for Separating Plates

- Lever for separating plates
- Manufacture without load bearing welds
- Hot epoxy coating
- Safety factor: 3 (EN 13155.2003 norm)

Model	Length (cm)	Weight (kg)	Product Code
LT1-830	-	7	50278



Order products on day 1, will be shipped no later than day 2,



Order products on day 1, will be shipped no later than day 6. Maximum quantities apply for this service.



Available on request. Please enquire about delivery times of these items.

PAL-Beam Lifting Beam

Range of lifting beams with fixed or adjustable load-centre fitted with 2 exclusive lower pivots allowing additional lifting applications with profile and/ or lower pivots' inclined:

A- Lifting with symmetrical or asymmetrical lower pivots, pulling sideways outside or inside (max angle 15°).

B- Lifting with profile inclined at 6° out of the horizontal line:

- vertical traction with symmetrical lower pivots
- sideways traction with asymmetrical lower pivots

PBM PAL-BEAM Lifting Beam with Adjustable Lifting Eyes



Model	WLL	Length (cm)	Weight (kg)	Product Code
PBMA1-A	1,000	1,000	33	51838
PBMA1-D	1,000	2,000	52	51868
PBMA1-G	1,000	3,000	72	51898
PBMB1-J	1,000	4,000	141	51928
PBMA2-A	2,000	1,000	33	51938
PBMB2-D	2,000	2,000	80	51968
PBMB2-G	2,000	3,000	110	51998
PBMC2-J	2,000	4,000	167	52028
PBMB3-A	3,000	1,000	50	52038
PBMB3-D	3,000	2,000	80	52068
PBMC3-G	3,000	3,000	131	52098
PBMD3-J	3,000	4,000	202	52128
PBMC4-A	4,000	1,000	60	52138
PBMC4-D	4,000	2,000	80	52168
PBMD4-G	4,000	3,000	160	52198
PBME4-J	4,000	4,000	283	52228
PBMD5-A	5,000	1,000	75	52238
PBMD5-D	5,000	2,000	117	52268
PBME5-G	5,000	3,000	223	52298
PBME5-J	5,000	4,000	283	52328

Lifting beams


XBag Cross Lifting Beam for Big-Bags





- Lifting beam for big-bag
- Manufactured without load bearing welds
- Hot epoxy coating
- Safety factor: 3 (EN 13155.2003 norm)

Model	WLL	Load Width	Weight (kg)	Product Code
XBag 1.5	1,500	990	27	54628
XBag 2.5	2,500	990	34	54638
XBag 3.5	3,500	990	40	54648



 Order products on day 1, will be shipped no later than day 2,

 Order products on day 1, will be shipped no later than day 6. Maximum quantities apply for this service.

 Available on request. Please enquire about delivery times of these items.

Pal-Turn

The Pal-Turn has been specially developed to create a solution for the controlled turning and lifting of heavy and bulky loads. The tilt straps are rotated by 2 circulation tilt discs which are electrically driven. Suitable for applications in steel and machinery factories, civil engineering, shipyards, manufacturing industry and foundries. The use of Pal-Turn™ does not require an anchorage point on the returned load - the load is usually held in the straps. Each device allows the turning of several types of loads as long as its capacity allows it and the straps available are of an appropriate length.

- Tilting loads
- Shockproof
- Tilt disc circulation fixed or adjustable
- Available in single tilt strap version (mono)
- Electric operation
- Capacity from 0.5 ton to 100 tons

Important:

The load must keep its shape at all times during the roll-over movement.

Customized advice

Each load has unique dimensions (lxwxh), a specific weight and position of the centre of gravity. The Pal-Turn™ is produced on the basis of these characteristics and customer requirements.

Options:

- Chain pulleys for high temperature loads (> 80°C)
- Stand-alone model (battery operated)
- Radio control with or without infra-red validation
- Two-speed motorisation
- Frequency inverter
- Additional lifting points, retractable lower hook
- Chains or straps - open or open-ended - adjusted to the load, polyurethane protection coated on 1 or 2 sides, impregnated
- Protection class IP55 or higher
- Design according to other FEM class

Standard configuration:

- Cable remote control, single-speed motorisation
- Protection class IP54
- Design according to FEM A5, lifting speed 30 m/min.
- 500kg in 400V or 230V



Model		Product Code
PAL-TURN 500 kg - 400 V	N	211968
PAL-TURN 500 kg - 230 V	N	211978



Adjustable H Beam

PHM Adjustable H-Beams can be used whenever you have to move heavy & massive loads like machines, boats, vehicles, structures etc.

They are equipped with 4 lower attachments and are adjustable in all directions.

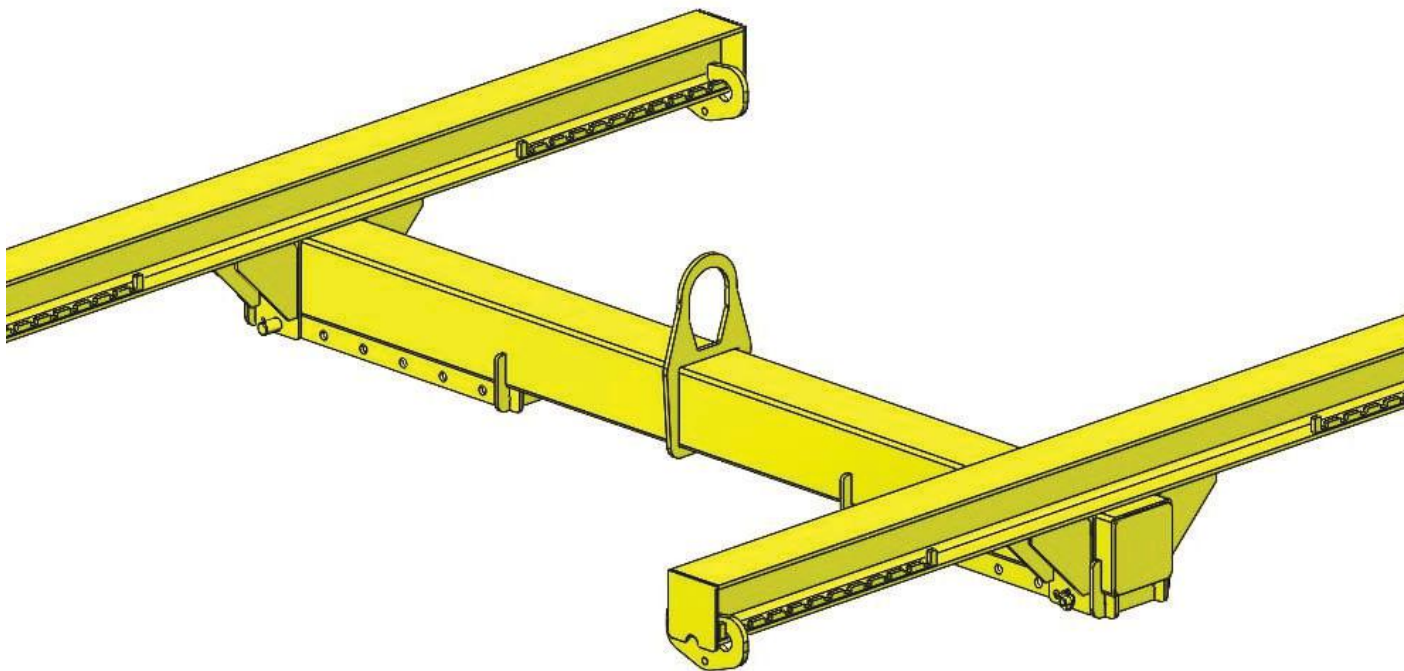
You can therefore adapt to the load dimensions and positions of the center of gravity, and use it for various loads.

1 ton

Model	Adjustable Length (mm)	Adjustable Width (m)	Weight (kg)	Product Code
PHM 1t - L1 - W1	1,184 mm	1	75	219728
PHM 1t - L2 - W1	2,184 mm	1	92	219738
PHM 1t - L2 - W2	2,184 mm	2	128	219748
PHM 1t - L3 - W1	3,184 mm	1	121	219758
PHM 1t - L3 - W2	3,184 mm	2	178	219768
PHM 1t - L4 - W1	4,184 mm	1	165	219778
PHM 1t - L4 - W2	4,184 mm	2	204	219788
PHM 1t - L5 - W1	5,184 mm	1	216	219798
PHM 1t - L5 - W2	5,184 mm	2	254	219808

2 tons

Model	Adjustable Length (m)	Adjustable Width (m)	Weight (kg)	Product Code
PHM 2t - L1 - W1	1,184 mm	1	79	219818
PHM 2t - L2 - W1	2,184 mm	1	118	219828
PHM 2t - L2 - W2	2,204 mm	2	170	219838
PHM 2t - L3 - W1	3,184 mm	1	158	219848
PHM 2t - L3 - W2	3,204 mm	2	219	219858
PHM 2t - L4 - W1	4,184 mm	1	211	219868
PHM 2t - L4 - W2	4,204 mm	2	270	219878
PHM 2t - L5 - W1	5,184 mm	1	270	219888
PHM 2t - L5 - W2	5,204 mm	2	355	219898



Adjustable H Beam

3 tons

Model	Adjustable Length (m)	Adjustable Width (m)	Weight (kg)	Product Code
PHM 3t - L1 - W1	1,184 mm	1	89	219908
PHM 3t - L2 - W1	2,184 mm	1	134	219918
PHM 3t - L2 - W2	2,244 mm	2	248	219928
PHM 3t - L3 - W1	3,184 mm	1	194	219938
PHM 3t - L3 - W2	3,244 mm	2	313	219948
PHM 3t - L4 - W1	4,184 mm	1	280	219958
PHM 3t - L4 - W2	4,244 mm	2	409	219968
PHM 3t - L5 - W1	5,184 mm	1	332	219978
PHM 3t - L5 - W2	5,244 mm	2	461	219988

4 tons

Model	Adjustable Length (m)	Adjustable Width (m)	Weight (kg)	Product Code
PHM 4t - L1 - W1	1,204 mm	1	109	219998
PHM 4t - L2 - W1	2,184 mm	1	148	220008
PHM 4t - L2 - W2	2,244 mm	2	262	220018
PHM 4t - L3 - W1	3,204 mm	1	244	220028
PHM 4t - L3 - W2	3,244 mm	2	364	220038
PHM 4t - L4 - W1	4,184 mm	1	284	220048
PHM 4t - L4 - W2	4,244 mm	2	413	220058
PHM 4t - L5 - W1	5,204 mm	1	400	220068
PHM 4t - L5 - W2	5,244 mm	2	526	220078

5 tons

Model	Adjustable Length (m)	Adjustable Width (m)	Weight (kg)	Product Code
PHM 5t - L1 - W1	1,204 mm	1	117	220088
PHM 5t - L2 - W1	2,204 mm	1	175	220098
PHM 5t - L2 - W2	2,244 mm	2	285	220108
PHM 5t - L3 - W1	3,204 mm	1	252	220118
PHM 5t - L3 - W2	3,244 mm	2	372	220128
PHM 5t - L4 - W1	4,204 mm	1	348	220138
PHM 5t - L4 - W2	4,184 mm	2	473	220148
PHM 5t - L5 - W1	5,204 mm	1	408	220158
PHM 5t - L5 - W2	5,244 mm	2	534	220168

6 tons

Model	Adjustable Length (m)	Adjustable Width (m)	Weight (kg)	Product Code
PHM 6t - L1 - W1	1,244 mm	1	161	220178
PHM 6t - L2 - W1	2,204 mm	1	185	220188
PHM 6t - L2 - W2	2,264 mm	2	355	220198
PHM 6t - L3 - W1	3,244 mm	1	288	220208
PHM 6t - L3 - W2	3,264 mm	2	409	220218
PHM 6t - L4 - W1	4,204 mm	1	352	220228
PHM 6t - L4 - W2	4,264 mm	2	506	220238
PHM 6t - L5 - W1	5,244 mm	1	539	220248
PHM 6t - L5 - W2	5,264 mm	2	660	220258

Adjustable H Beam

8 tons

Model	Adjustable Length (m)	Adjustable Width (m)	Weight (kg)	Product Code
PHM 8t - L1 - W1	1,244 mm	1	185	220268
PHM 8t - L2 - W1	2,244 mm	1	262	220278
PHM 8t - L2 - W2	2,264 mm	2	380	220288
PHM 8t - L3 - W1	3,244 mm	1	349	220298
PHM 8t - L3 - W2	3,284 mm	2	499	220308
PHM 8t - L4 - W1	4,244 mm	1	483	220318
PHM 8t - L4 - W2	4,264 mm	2	607	220328
PHM 8t - L5 - W1	5,244 mm	1	654	220338
PHM 8t - L5 - W2	5,284 mm	2	805	220348

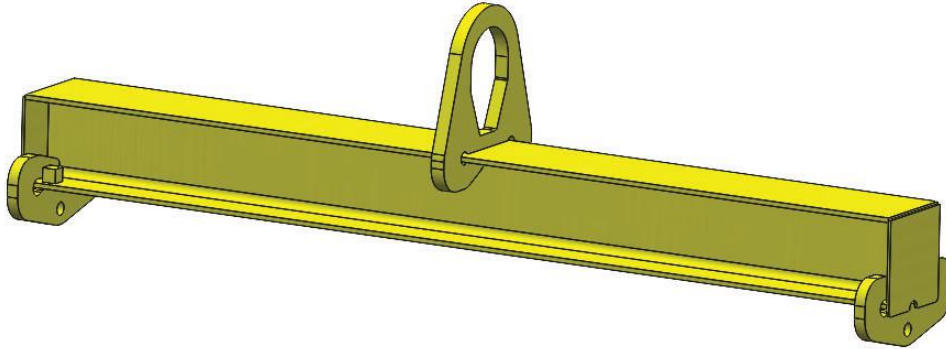
10 tons

Model	Adjustable Length (m)	Adjustable Width (m)	Weight (kg)	Product Code
PHM 10t - L1 - W1	1,244 mm	1	207	220358
PHM 10t - L2 - W1	2,244 mm	1	303	220368
PHM 10t - L2 - W2	2,284 mm	2	467	220378
PHM 10t - L3 - W1	3,244 mm	1	419	220388
PHM 10t - L3 - W2	3,304 mm	2	629	220398
PHM 10t - L4 - W1	4,244 mm	1	569	220408
PHM 10t - L4 - W2	4,284 mm	2	734	220418
PHM 10t - L5 - W1	5,244 mm	1	758	220428
PHM 10t - L5 - W2	5,284 mm	2	924	220438

Lifting beams

TracBeam F : fixed model

Range of lifting beams with fixed load-centre distance fitted with two lower attachment points for secure rigging. Each point supports a shackle connection for attaching various lifting accessories. Designed for stability and versatility in demanding lifting operations.



Model	WLL (kg)	Length (mm)	Weight (kg)	Product Code
TBF1 - 1000	1,000 kg	1,000 mm	29	219108
TBF1 - 2000	1,000 kg	2,000 mm	49	219118
TBF1 - 3000	1,000 kg	3,000 mm	68	219128
TBF1 - 4000	1,000 kg	4,000 mm	88	219138
TBF1 - 5000	1,000 kg	5,000 mm	107	219148
TBF1 - 6000	1,000 kg	6,000 mm	195	219158

Model	WLL (kg)	Length (mm)	Weight (kg)	Product Code
TBF2 - 1000	2,000 kg	1,000 mm	29	219168
TBF2 - 2000	2,000 kg	2,000 mm	48	219178
TBF2 - 3000	2,000 kg	3,000 mm	104	219188
TBF2 - 4000	2,000 kg	4,000 mm	135	219198
TBF2 - 5000	2,000 kg	5,000 mm	165	219208
TBF2 - 6000	2,000 kg	6,000 mm	277	219218

Model	WLL (kg)	Length (mm)	Weight (kg)	Product Code
TBF3.2 - 1000	3,200 kg	1,000 mm	53	219228
TBF3.2 - 2000	3,200 kg	2,000 mm	83	219238
TBF3.2 - 3000	3,200 kg	3,000 mm	114	219248
TBF3.2 - 4000	3,200 kg	4,000 mm	193	219258
TBF3.2 - 5000	3,200 kg	5,000 mm	235	219268
TBF3.2 - 6000	3,200 kg	6,000 mm	277	219278

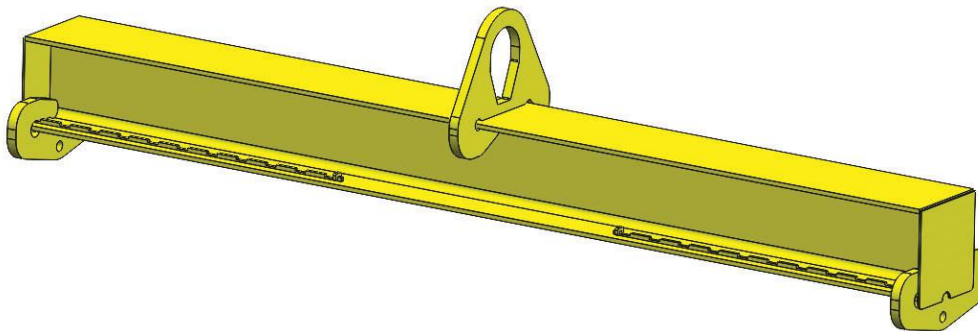
Model	WLL (kg)	Length (mm)	Weight (kg)	Product Code
TBF4 - 1000	4,000 kg	1,000 mm	53	219288
TBF4 - 2000	4,000 kg	2,000 mm	83	219298
TBF4 - 3000	4,000 kg	3,000 mm	114	219308
TBF4 - 4000	4,000 kg	4,000 mm	193	219318
TBF4 - 5000	4,000 kg	5,000 mm	235	219328
TBF4 - 6000	4,000 kg	6,000 mm	401	219338

Lifting beams

TracBeam R: adjustable model

Range of adjustable lifting beams load-centre distance fitted with 2 lower attachment components.

Each lower attachment point allows a shackle to be attached to which lifting accessories can be fitted.



Model	WLL (kg)	Length (mm)	Weight (kg)	Product Code
TBR1 - 1000	1,000 kg	500 - 1000 mm	29	220458
TBR1 - 2000	1,000 kg	1000 - 2000 mm	49	220468
TBR1 - 3000	1,000 kg	1000 - 3000 mm	70	220478
TBR1 - 4000	1,000 kg	2000 - 4000 mm	90	220488
TBR1 - 5000	1,000 kg	3000 - 5000 mm	110	220498
TBR1 - 6000	1,000 kg	4000 - 6000 mm	198	220508

Model	WLL (kg)	Length (mm)	Weight (kg)	Product Code
TBR2 - 1000	2,000 kg	500 - 1000 mm	29	200518
TBR2 - 2000	2,000 kg	1000 - 2000 mm	50	200528
TBR2 - 3000	2,000 kg	1000 - 3000 mm	107	200538
TBR2 - 4000	2,000 kg	2000 - 4000 mm	137	200548
TBR2 - 5000	2,000 kg	3000 - 5000 mm	168	200558
TBR2 - 6000	2,000 kg	4000 - 6000 mm	280	200568

Model	WLL (kg)	Length (mm)	Weight (kg)	Product Code
TBR3.2 - 1000	3,200 kg	500 - 1000 mm	54	220578
TBR3.2 - 2000	3,200 kg	1000 - 2000 mm	85	220588
TBR3.2 - 3000	3,200 kg	1000 - 3000 mm	117	220598
TBR3.2 - 4000	3,200 kg	2000 - 4000 mm	195	220728
TBR3.2 - 5000	3,200 kg	3000 - 5000 mm	238	220618
TBR3.2 - 6000	3,200 kg	4000 - 6000 mm	280	220628

Model	WLL (kg)	Length (mm)	Weight (kg)	Product Code
TBR4 - 1000	4,000 kg	500 - 1000 mm	53	220638
TBR4 - 2000	4,000 kg	1000 - 2000 mm	85	220648
TBR4 - 3000	4,000 kg	1000 - 3000 mm	116	220658
TBR4 - 4000	4,000 kg	2000 - 4000 mm	195	220668
TBR4 - 5000	4,000 kg	3000 - 5000 mm	238	220678
TBR4 - 6000	4,000 kg	4000 - 6000 mm	404	220688

Lifting beams

Model	WLL (kg)	Length (mm)	Weight (kg)	Product Code
TBF5 - 1000	5,000 kg	1,000 mm	53	219348
TBF5 - 2000	5,000 kg	2,000 mm	84	219358
TBF5 - 3000	5,000 kg	3,000 mm	163	219368
TBF5 - 4000	5,000 kg	4,000 mm	205	219378
TBF5 - 5000	5,000 kg	5,000 mm	341	219388
TBF5 - 6000	5,000 kg	6,000 mm	401	219398

Model	WLL (kg)	Length (mm)	Weight (kg)	Product Code
TBF6.3 - 1000	6,300 kg	1,000 mm	80	219408
TBF6.3 - 2000	6,300 kg	2,000 mm	121	219418
TBF6.3 - 3000	6,300 kg	3,000 mm	163	219428
TBF6.3 - 4000	6,300 kg	4,000 mm	286	219438
TBF6.3 - 5000	6,300 kg	5,000 mm	347	219448
TBF6.3 - 6000	6,300 kg	6,000 mm	522	219458

Model	WLL (kg)	Length (mm)	Weight (kg)	Product Code
TBF8 - 1000	8,000 kg	1,000 mm	80	219468
TBF8 - 2000	8,000 kg	2,000 mm	121	219478
TBF8 - 3000	8,000 kg	3,000 mm	231	219488
TBF8 - 4000	8,000 kg	4,000 mm	291	219498
TBF8 - 5000	8,000 kg	5,000 mm	446	219508
TBF8 - 6000	8,000 kg	6,000 mm	522	219518

Model	WLL (kg)	Length (mm)	Weight (kg)	Product Code
TBF10 - 1000	10,000 kg	1,000 mm	110	219528
TBF10 - 2000	10,000 kg	2,000 mm	170	219538
TBF10 - 3000	10,000 kg	3,000 mm	293	219548
TBF10 - 4000	10,000 kg	4,000 mm	370	219558
TBF10 - 5000	10,000 kg	5,000 mm	446	219568
TBF10 - 6000	10,000 kg	6,000 mm	522	219578

Lifting beams

Model	WLL (kg)	Length (mm)	Weight (kg)	Product Code
TBR5 - 1000	5,000 kg	500 - 1000 mm	54	220698
TBR5 - 2000	5,000 kg	1000 - 2000 mm	85	220708
TBR5 - 3000	5,000 kg	1000 - 3000 mm	166	220718
TBR5 - 4000	5,000 kg	2000 - 4000 mm	207	220728
TBR5 - 5000	5,000 kg	3000 - 5000 mm	343	220738
TBR5 - 6000	5,000 kg	4000 - 6000 mm	404	220748

Model	WLL (kg)	Length (mm)	Weight (kg)	Product Code
TBR6.3 - 1000	6,300 kg	500 - 1000 mm	80	220758
TBR6.3 - 2000	6,300 kg	1000 - 2000 mm	122	220768
TBR6.3 - 3000	6,300 kg	1000 - 3000 mm	166	220778
TBR6.3 - 4000	6,300 kg	2000 - 4000 mm	290	220788
TBR6.3 - 5000	6,300 kg	3000 - 5000 mm	350	220798
TBR6.3 - 6000	6,300 kg	4000 - 6000 mm	525	220808

Model	WLL (kg)	Length (mm)	Weight (kg)	Product Code
TBR8 - 1000	8,000 kg	500 - 1000 mm	80	220818
TBR8 - 2000	8,000 kg	1000 - 2000 mm	122	220828
TBR8 - 3000	8,000 kg	1000 - 3000 mm	233	220838
TBR8 - 4000	8,000 kg	2000 - 4000 mm	294	220848
TBR8 - 5000	8,000 kg	3000 - 5000 mm	448	220858
TBR8 - 6000	8,000 kg	4000 - 6000 mm	525	220868

Model	WLL (kg)	Length (mm)	Weight (kg)	Product Code
TBR10 - 1000	10,000 kg	500 - 1000 mm	111	220878
TBR10 - 2000	10,000 kg	1000 - 2000 mm	171	220888
TBR10 - 3000	10,000 kg	1000 - 3000 mm	296	220898
TBR10 - 4000	10,000 kg	2000 - 4000 mm	372	220908
TBR10 - 5000	10,000 kg	3000 - 5000 mm	448	220918
TBR10 - 6000	10,000 kg	4000 - 6000 mm	525	220928

Beam trolleys for Material handling

Corso Push Trolley for Material handling

The Corso push and manually operated geared trolleys can be quickly and easily assembled onto a steel beam, with both a straight and sloping flange, creating a reliable and moveable anchor point for lifting equipment such as Tirfor, Bravo, Tralift, Minifor, Volt trac and Tralift TT.

It is possible to manually adjust the opening, so the trolley can be easily positioned and adjusted to the most frequently used profiles.



Model	WLL	Flange Width (mm)	Min.Radius (mm)	Weight (kg)	Product Code
C250	250	45 - 152	650	3,5	69289
C500	500	50 - 220	900	8,5	23309
C1000	1,000	58 - 220	1 000	10,5	23319
C2000	2,000	66 - 220	1 200	18	23329
C3000	3,000	74 - 220	1 300	32	23379
C5000	5,000	90 - 220	1 400	48,5	23389
C500	500	160 - 320	900	8,5	108879
C1000	1,000	160 - 320	1 000	10,5	108889
C2000	2,000	160 - 320	1 200	18	108899
C3000	3,000	160 - 320	1 300	32	108909
C5000	5,000	180 - 320	1 400	48,5	108919
C10000	10,000	142 - 320	2 500	105	56279

Corso Geared Beam Trolleys for Material handling

- Push and geared trolleys with WLL from 250kg to 20t
- For beam widths from 45 - 320 mm depending on capacity
- Handle included for quick and easy adjustment of the hanger bar to suit the beam size
- Folded steel end stops which also act as anti-drop bars and anti-tilt devices welded onto side plates
- Hanger bar preventing from rotating by tightening a grub screw
- Steel wheels with ball bearings for smooth running
- In accordance with EU Machine Directive 2006/42/EC



Model	WLL	Flange Width (mm)	Weight (kg)	Product Code
1000	1,000	58 - 220	19	23339
2000	2,000	66 - 220	22,5	23349
3000	3,000	74 - 220	37,5	23359
5000	5,000	90 - 220	55	23369
1000	1,000	160 - 320	19	108929
2000	2,000	160 - 320	22,5	108939
3000	3,000	160 - 320	37,5	108949
5000	5,000	180 - 320	55	108959
10000	10,000	142 - 320	115	56289
20000	20,000	153 - 320	254	56299

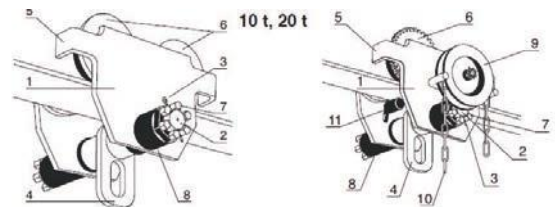
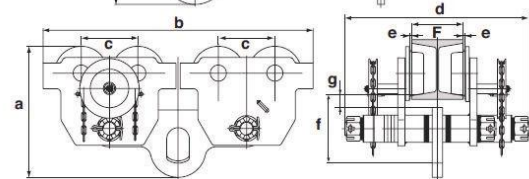
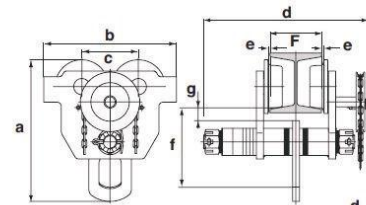
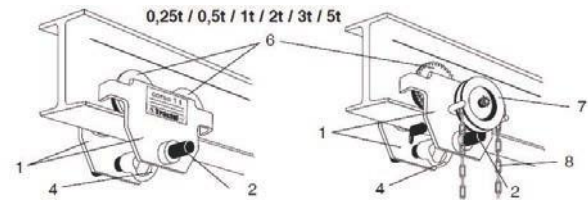
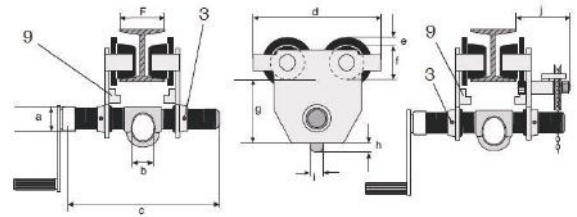
Accessories for Corso

0.25 t to 5 t

WLL	A	B	C	D	E	F	G	H
250	22	22	220	175	11	50	74	7
500	27	25	324	225	15	62	88	16
1,000	30	30	334	252	15	62	103	17
2,000	38	40	342	300	18	80	127	18
3,000	45	48	358	360	15	97	177	18
5,000	52	58	372	400	20	110	192	23

All dimensions in mm.

- | | |
|--|--|
| 1. Trolley side plates | antideraling devices |
| 2. Threaded bar | 6. Running wheels |
| 3. Securing screw for preventing the bar from moving | 7. Operating wheel |
| 4. Anchor point for hoist | 8. Operating chain |
| 5. End stops acting as | 9. Anti-tilt system welded onto side plate |



10 t to 20 t

Model	Description	A	B	C	D	E	F	G
C10000	Push trolley	500	470	200	550	2,5	280	45
10000	Geared trolley	500	470	200	583	2,5	280	45
20000	Geared trolley	500	955	200	654	2,5	270	45

All dimensions in mm.

- | | |
|---------------------------------------|--------------------|
| 1. Trolley side plates | 6. Running wheels |
| 2. Fixing bar | 7. Fixing nut |
| 3. Safety pin | 8. Spacer washers |
| 4. Anchor point | 9. Operating wheel |
| 5. Safety bar and traversing end stop | 10. Hand chain |
| | 11. Anti-tilt bar |

Extension bar

Model	Flange Width (mm)	Description	Product Code
0.5	160-320	to suit 0.5t push trolley 023309	14652
1T	160-320	to suit 1t push trolley 023319 and 1t geared trolley 023339	14662
2T	160-320	to suit 2t push trolley 023329 and 2t geared trolley 023349	14672
3T	160-320	to suit 3t push trolley 023379 and 3t geared trolley 023359	14682
5T	180-320	to suit 5t push trolley 023389 and 5t geared trolley 023369	14692

Beam clamps for material handling

Corso Beam Clamps for Material Handling

The Corso Beam Clamps for Material Handling provide quick and easy assembly onto steel beams, creating reliable anchor points for lifting equipment such as Tirfor, Bravo, Tralift, and Minifor systems. This versatile clamping system accommodates beam widths from 75 to 320mm depending on capacity, with easy width adjustment to suit various steel beam configurations. The robust design ensures secure attachment for demanding material handling operations.

Engineered with generously sized bodies made from steel alloy construction for maximum durability and stability when correctly fixed. The spindle bar locking system prevents rotation through grub screw tightening, ensuring secure positioning during lifting operations. The adjustable design accommodates various beam profiles whilst maintaining high stability, with working load limits spanning from 1 to 10 tonnes across the product range.

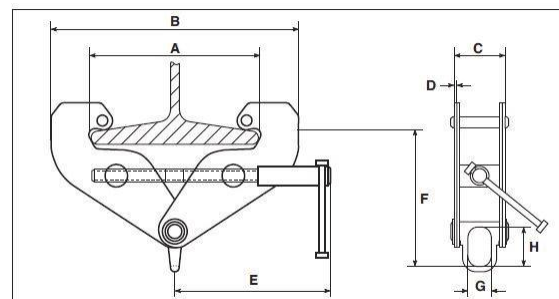
Industrial applications include construction sites, warehouses, manufacturing facilities, and maintenance operations requiring temporary anchor points for lifting equipment. The system's quick assembly capability reduces setup time whilst providing reliable attachment points for hoists and other material handling equipment. Available in five models with working load limits from 1t to 10t, accommodating diverse operational requirements across industrial sectors.



Model	WLL	Flange Width (mm)	Weight (kg)	Product Code
LT-1B	1,000	75-230	4.8	7009
LT-2B	2,000	75-230	5.6	7019
LT-3B	3,000	80-330	11	7029
LT-5B	5,000	80-330	12.3	7039
LT-10B	10,000	80-320	21	7049

Technical information

Model	A	B	C	D	E	F	G	H
LT-1B	220	180/380	76	4	210	120/175	30	45
LT-2B	220	180/380	84	6	210	130/180	30	45
LT-3B	320	235/490	115	8	275	175/250	45	60
LT-5B	320	253/490	138	10	245	140/220	45	60
LT-10B	310	255/480	160	12	275	250/300	60	90



Floor handling equipment

Hydrofor Hydraulic Toe Jack

- WLL 5000kg to 25000kg
- Heavy duty operations from one of the lightest jacks on the market
- Vertical and horizontal functionality
- Full lifting capacity on head or toe
- Pressure limit device prevents overload for safe operation
- Screw release valve for easy and controlled lowering
- 360 degree swivel of the jack body for ease of positioning
- Handle rotates through 180 degrees



Model	WLL	A	B	C	D	E	F	G	Max effort of the handle	Weight (kg)	Product Code
H5	5	368 - 573	745	140	213	Ø93	25	205	450	20	243269
H10	10	420 - 650	745	170	205	Ø103	30	230	500	28	243279
H25	25	505 - 720	1305	210	420	155 x 155	58	215	450	109	79909

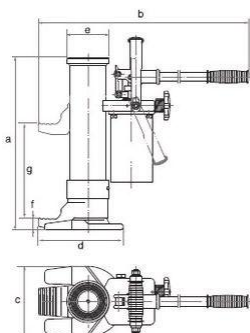
Top Mechanical Toe Jack

- Purpose: Heavy-duty floor handling for loads requiring lifts up to 390 mm.
- Operation: Crank-operated jack using rack and pinion technology with double retaining catch for safety.
- Capacity: Available in working load limits of 1.5, 3, 5, and 10 tonnes.
- Safety Features: Locked ratchet system with friction discs for secure lowering; folding handle for compact transport.
- Durability: Heat-treated steel gears, pinions, and rack for longevity in harsh conditions.
- Applications: Maintenance on heavy machinery, worksite lifting, and general industrial floor handling.
- Flexibility: Dual lifting points (jack head or toe) and transport handles for mobility.
- Maintenance: Designed for maintenance-free operation.

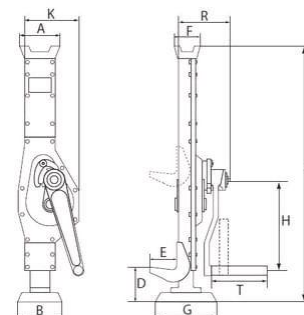


Model	WLL	Lifting Height	Max effort of the handle	A	B	C	D	E	F	G	H	K	R	T	Weight (kg)	Product Code
BT 1,5	1.5 t	300	30	81	100	600	70	55	46	110	225	147	119	113	18	264889
BT 3	3 t	355	35	83	130	735	70	60	45	138	249	168	129	130	20	264899
BT 5	5 t	345	40	108	140	735	80	71	68	170	249	190	146	130	28	264909
BT 10	10 t	390	58	124	140	800	100	86	76	170	300	250	168	239	46	264919

Dimensions of floor handling products



Technical drawing hydrofor

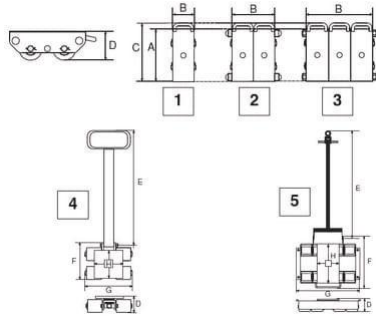


Technical drawing topjack


Pakrol Skates and Trolley Skates


The Pakrol skates and trolley skates can be used in combination to move loads from 2,000kg to 20,000kg.


- WLL 2,000kg to 20,000kg
- Robust construction
- A modular system to steer and move loads
- Trolley skates have turntables
- Skates can be joined together to increase capacity
- Nylon or PU rollers with ball bearings
- The load can be pulled and steered by the drawbar
- The floor must be completely smooth and flat in order to move the loads.



Model	Description	Type	WLL	A	B	C	D	E	F	G	H	Weight (kg)	Product Code
Skate 2t NY	2 wheel nylon skate	1	2	270	106	308	110	-	-	-	-	5	50149
Skate 4t NY	4 wheel nylon skate	2	4	270	232	308	110	-	-	-	-	11	50159
Skate 6t NY	6 wheel nylon skate	3	6	270	348	308	110	-	-	-	-	25	50169
Skate 2t PU	2 wheel PU skates	1	2	270	106	308	110	-	-	-	-	5	55549
Skate 4t PU	4 wheels PU skate	2	4	270	232	308	110	-	-	-	-	11	55559
Skate 6t PU	6 wheel PU skates	3	6	270	348	308	110	-	-	-	-	25	55569
Trolley skate 4t NY	4 wheel nylon trolley skate	4	4	-	-	-	110	940	230	297	145 x 180	14	50179
Trolley skate 6t NY	8 wheel nylon trolley skate	5	8	-	-	-	110	1200	530	640	400 x 220	50	50189
Trolley skate 4t PU	4 wheels PU trolley skate	4	4	-	-	-	110	940	230	297	145 x 180	14	55579
Trolley skate 8t PU	8 wheel PU trolley skate	5	8	-	-	-	110	1200	530	640	400 x 220	50	50199
Connection bar	-	-	-	-	-	-	-	-	-	-	-	-	74517

 Order products on day 1, will be shipped no later than day 2,

 Order products on day 1, will be shipped no later than day 6. Maximum quantities apply for this service.

 Available on request. Please enquire about delivery times of these items.



Material-only load arrester



When a material-only load is being lifted or lowered, it may be important to add a secondary safety device to make sure that the load cannot fall in the event of an incident. For example when the load falling could endanger people in the vicinity. This is also the case when the load or the area underneath the load has a significant value and requires protection.

Our load arrester range consist of 3 different types that all work on the basis of the same principle. The load is connected to the load arrester by a wire rope. If the main lifting rope or device experiences a malfunction and the load starts to fall, the load arrested device will detect the increasing speed of the wire rope and will immediately stop the load from falling.

Blocstop

Our tried and tested Blocstop solution can work with an unlimited length of wire rope while the Blocstop is attached to a supporting structure.

Blocmat S and SI

The Blocmat S and SI offer wire rope storage with a maximum capacity up to 25m, which is automatically stored on an integrated reeler. The S or Si version is to be permanently installed on a ceiling or floor.

Blocmat TSD

The Blocmat TSD is a mobile load arrested that can be easily moved from location to location. All that is required for installing the Blocmat TSD is a fixing point or hook with 4x the capacity of the load arrester.

	Blocstop	Blocmat S and SI	Blocmat TSD
Load capacity	350-3000 kg	500-1000 kg	250 kg
Triggering speed	20,30,40,60 m/min	30 m/min	35 m/min
Daily check	✓	✓	✓
Unlimited wire rope	✓	-	-
Wire rope storage	-	✓	✓
Fastening interface needed	✓	✓	✓
Reset after actuation*	✓	✓	✓
Integrated pretension of wire rope	-	✓	✓
Sheaving/reaving possibility	✓	-	-
Electrical connectivity to the lifting equipment	✓	-	-
Shock absorber (limits to 6.5 kN)	-	-	✓

Material-only load arrester

Blocstop BSO



The Blocstop BSO can be used in numerous areas like a load arrester for material transportation (i.e. opening and closing of a garage door, lifting of valuable material load, protection for a sensible ground surface underneath the load....)

BSO – Blocstop operating by overspeed detection :

If the movement of the safety rope exceeds a specified speed then the BSO triggers automatically and securely catches the load. The safety rope is held between the clamping jaws, preventing the rope from slipping any further. However, the surface of the clamping jaws is large enough to prevent damage to the rope. The Blocstop BSO is designed in such a way that the clamping jaws grip tighter, the higher the load on the rope.

Furthermore, the Blocstop BSO has been tested using many times the nominal load in order to ensure an extremely large safety margin.

We are constantly working to improve our products.


Features Blocstop BSO :


- Very robust and durable
- Small, light and compact
- Manual test function
- Capacity up to 3,000 kg
- Complies with the 2006/42/EC standard


NEW

Integrate this product using **BIM and 3D files**. Access downloads on the product page of our website.

Model	WLL	Forward Speed (m/min)	Wire Rope Diameter (mm)	Description	Weight (kg)	Product Code
BSO 510	350	30	6	-	4,3	291849
BSO 510E	350	30	6	with limit switch and 2m cable fitted with plug for tirak™ connection	4,3	291859
BSO 510E	350	30	6	with limit switch and 2m cable fitted with cable gland for tirak™ connection	4,3	296369
BSO 1004	600	40	8	-	6,5	291889
BSO 1004E	600	40	8	with limit switch and 2m cable fitted with plug for tirak™ connection	6,5	291899
BSO 1004E	600	40	8	with limit switch and 2m cable fitted with cable gland for tirak™ connection	6,5	296429
BSO 1026	600	60	9	-	6,5	291969
BSO 1026E	600	60	9	with limit switch and 2m cable fitted with plug for tirak™ connection	6,5	291979
BSO 1026E	600	60	9	with limit switch and 2m cable fitted with cable gland for tirak™ connection	6,5	296469
BSO 1024	800	40	9	-	6,5	291909
BSO 1024E	800	40	9	with limit switch and 2m cable fitted with plug for tirak™ connection	6,5	291919
BSO 1024E	800	40	9	with limit switch and 2m cable fitted with cable gland for tirak™ connection	6,5	296439
BSO 1022	1,000	20	9	-	6,5	291729
BSO 1022E	1,000	20	9	with limit switch and 2m cable fitted with plug for tirak™ connection	6,5	291739
BSO 1022E	1,000	20	9	with limit switch and 2m cable fitted with plug for tirak™ connection	6,5	296399

 Order products on day 1, will be shipped no later than day 2,

 Order products on day 1, will be shipped no later than day 6. Maximum quantities apply for this service.

 Available on request. Please enquire about delivery times of these items.

Blocstop BSO load arrester

Model	WLL	Forward Speed (m/min)	Wire Rope Diameter (mm)	Description	Weight (kg)	Product Code
BSO 1022EFA	1,000	20	9	with remote triggering of the BSO	6,5	291749
BSO 1020	1,000	30	9	-	6,5	291869
BSO 1020E	1,000	30	9	with limit switch and 2m cable fitted with cable gland for tirak™ connection	6,5	296419
BSO 1020E	1,000	30	9	with limit switch and 2m cable fitted with plug for tirak™ connection	6,5	291879
BSO 1034	1,000	40	10	-	6,5	291929
BSO 1034E	1,000	40	10	with limit switch and 2m cable fitted with plug for tirak™ connection	6,5	291939
BSO 1034E	1,000	40	10	with limit switch and 2m cable fitted with cable gland for tirak™ connection	6,5	296449
BSO 1032	1,200	20	10	-	6,5	291759
BSO 1032E	1,200	20	10	with limit switch and 2m cable fitted with plug for tirak™ connection	6,5	291769
BSO 1032E	1,200	20	10	with limit switch and 2m cable fitted with cable gland for tirak™ connection	6,5	296409
BSO 1032EFA	1,200	20	10	with remote triggering of the BSO	6,5	291779
BSO 1044	1,200	40	11	-	6,5	291949
BSO 1044E	1,200	40	11	with limit switch and 2m cable fitted with plug for tirak™ connection	6,5	291959
BSO 1044E	1,200	40	11	with limit switch and 2m cable fitted with cable gland for tirak™ connection	6,5	296459
BSO 3060	3,000	30	16	-	14	291989
BSO 3060E	3,000	30	16	with limit switch and 2m cable fitted with plug for tirak™ connection	14	291999
BSO 3060E	3,000	30	16	with limit switch and 2m cable fitted with cable gland for tirak™ connection	14	296509
BSO 2552	2,500	20	14	-	14	291819
BSO 3050E	3,000	30	14	with limit switch and 2m cable fitted with cable gland for tirak™ connection	14	296509



Order products on day 1, will be shipped no later than day 2,



Order products on day 1, will be shipped no later than day 6. Maximum quantities apply for this service.

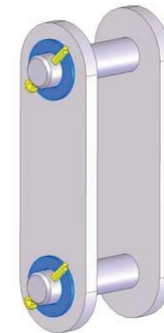
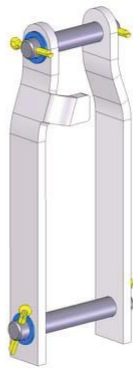


Available on request. Please enquire about delivery times of these items.

Blocstop BSO accessories

Set of straps for Blocstop

Model	Product Code
straps for BSO 510 - 1044	42517
straps for BSO 2050 - 3060	198247

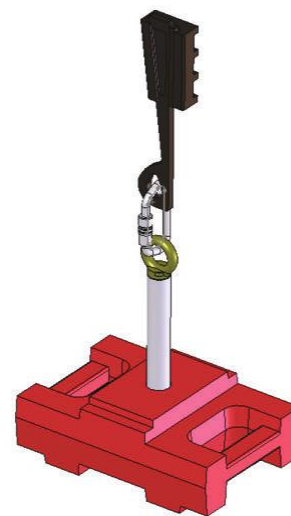


Counterweights for Blocstop

Model	Product Code
Counterweight for BSO 510-1044	21488
Counterweight for BSO 2050-3060	199487



Counterweight for BSO 510 - 1044



Counterweight for BSO 2050 - 3060



Order products on day 1, will be shipped no later than day 2.



Order products on day 1, will be shipped no later than day 6. Maximum quantities apply for this service.



Available on request. Please enquire about delivery times of these items.

Load arrester

Blocmat S Ceiling Assembly and SI, Floor Assembly

Automatic wire rope load arrester with an integrated drum reeler.

The Blocmat is an automatic wire rope load arrester with an integrated drum reeler. A falling load will be arrested within 10 cm by the Blocmat. It is easy to carry out a functional test and to manually release and reset the load arrester. After activation, release, and reset the system can immediately be used again.

Available models in the Blocmat series:


- S - Ceiling assembly
- SI - Floor assembly (to be used with additional sheave)


Features Blocmat S Ceiling assembly and SI Floor assembly:


- Very limited fall (<100 mm)
- Triggering speed 30m/min
- Automatic winding of wire rope
- Very robust and durable
- Easy to use
- Manual test function
- Capacity up to 1,000 kg
- Complies with the 2006/42/EC standard



Model	WLL	Wire Rope Length (m)	Wire Rope Diameter (mm)	Weight (kg)	Product Code
S 500/8 - suspended version	500	8	9.5	39	299499
S 500/25 - suspended version	500	25	9.5	45	299509
S 1000/8 - suspended version	1,000	8	9.5	39	47379
S 1000/25 - suspended version	1,000	25	9.5	45	75399
SI 1000/10 - floor mounted version	1,000	10	9.5	40	47309
SI 1000/25 - floor mounted version	1,000	25	9.5	45	47319

 Order products on day 1, will be shipped no later than day 2,

 Order products on day 1, will be shipped no later than day 6. Maximum quantities apply for this service.

 Available on request. Please enquire about delivery times of these items.

Load arrester

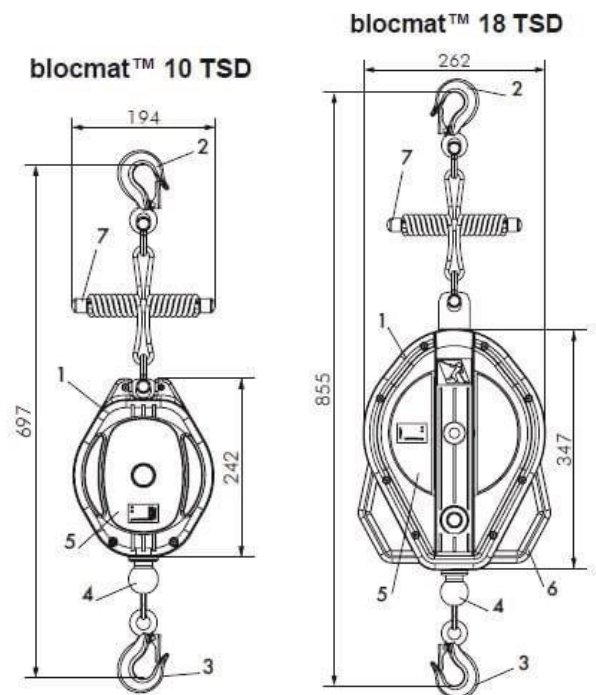
Blocmat TSD

The Blocmat TSD serves as an advanced self-retracting load fall arrester specifically designed to prevent violent shock loads during equipment drops. Available in 10m and 18m cable lengths with 250kg working load limits, this system incorporates the revolutionary TSD (Top System Dissipator) technology that maintains fall loads below 650daN even when loads drop at full wire rope extension. The compact design ensures reliable load arrest across diverse operational scenarios.

Advanced engineering centres on plastic ABS-filled polyamide casings with anti-UV properties that resist shocks and ageing, combined with single pawl stop mechanisms. The integrated TSD system at the device top eliminates violent shock risks, whilst ergonomic design ensures perfect grip for transport and installation. Maximum fall heights of 700 mm with 10,000 winding and unwinding cycles provide extensive operational capability.

Primary applications span industrial operations requiring reliable load arrest protection with enhanced shock absorption capabilities. The system accommodates vertical, horizontal, and inclined plane installations using return pulleys, ensuring operational flexibility across diverse environments. Simplified maintenance through optimised design reduces downtime whilst compliance with Machine Directive 2006/42/EC ensures regulatory adherence for professional lifting operations.

Model	WLL	Dimensions	Wire Rope Length (m)	Wire Rope Diameter (mm)	Forward Speed (m/min)	Weight (kg)	Product Code
Blocmat 10 TSD	250	697 x 194 x 95	10	4.9	35	5,9	279479
Blocmat 18 TSD	250	855 x 262 x 110	18	4.9	35	9,6	279489



1. Housing
2. Anchorage on structure
3. Anchorage to load
4. End stop
5. Identification label
6. Handle
7. Shock absorber

Measure & Control





Dynafor Load Indicators

Page 122–133

Mechanical Dynasafe

Page 134–134

Electronic Dynasafe

Page 135–139

Dynarope Tension Meters







Page 140–141

Anchor test equipment

Page 142–142

Dynafor loadcells

a wide range

	Handifor	Dynascale	Dynafor Industrial	Dynafor Pro	Dynafor Expert
					
Accuracy	±0,5%	±0,5%	±0,3 %	±0,2 %	±0,1 %
Capacity	20 kg to 200 kg	1 t to 12,5 t	1 t to 20 t	1 t to 250 t	0,5 t to 10 t
Functions	Tare, Peak hold, Units change (kg, daN, lbs)	Tare, Peak hold, Units change (kg, daN, lbs)	Tare, Peak hold, Units change (kg, daN, lbs)	Tare, Peak hold, Units change (kg, t, US ton, daN, lbs), Settable alarms, Data saving, Multiple readings	
Display	Display integrated on the loadcell with 14 mm digits	Display integrated on the load cell with 30 mm digits	Display integrated on the load cell with 18 mm digits	Multiple display options: <ul style="list-style-type: none"> • Multiple reading of load cells on the HHD, wireless range up to 400 m • Free app compatible with Android and iOS devices  <ul style="list-style-type: none"> • AL63 giant remote display with 1 to 4 load cells, wireless range up to 200 m. 	
Battery life	Up to 100 h	Up to 50h	Up to 300 h	Up to 1 000 h	
IP rating	IP40	IP54	IP65	IP65 as standard, IP67 available as option	IP64 as standard, IP67 available as option
Lifting accessories	None	Compatible with bow shackles and hooks	Compatible with bow shackles	Compatible with bow shackles	Compatible with bow and clevis shackles
Applications	<ul style="list-style-type: none"> • Hand weighing 	<ul style="list-style-type: none"> • Overhead weighing • Safety and lifting applications • Quality controls • Logistics 	<ul style="list-style-type: none"> • Overhead weighing • Force measurement testing • Towing applications • Safety and lifting applications 	<ul style="list-style-type: none"> • Overhead weighing • Force measurement testing • Towing applications • Safety and lifting applications • Water bag load testing • Heavylift projects • R&D projects • Load balancing • Load monitoring on lifting equipment 	<ul style="list-style-type: none"> • Overhead weighing • Force measurement testing • Towing applications • Safety and lifting applications • R&D projects • Load balancing • Load monitoring on lifting equipment



Handifor

A convenient electronic load indicator including hooks for measuring small weights, quickly and easily.

- 5-digit LCD display, 14 mm height
- Safety factor minimum of 4
- 0.5% accuracy of measuring range
- Units: kg, daN, lbs
- IP40 protection rating

Model	W.L.L (kg)	Accuracy (kg)	Resolution (kg)	Weight (kg)	Code
Handifor 20	20	±0.1	0.1	0.5	199919
Handifor 50	50	±0.25	0.2	0.5	199929
Handifor 100	100	±0.5	0.2	0.6	199939
Handifor 200	200	±1	0.5	0.9	199949

Delivery includes the Handifor, S-hook and carabiner hook, user manual and declaration of conformity. Supplied in sturdy cardboard packaging.





Dynascale

Weighing hook

Featuring an integrated display, the Dynascale series of weighing hooks provides great visibility, with an accuracy of 0.5%.

- Capacity range from 1t up to 12.5t
- 5-digit LCD display, 30mm height
- 0.5% accuracy of measuring range
- Automatic time off set at 20 min (removal in option)
- Multiple integrated functions : On, Tare, Peak Hold, Units change (kg, lbs, daN)
- IP54 protection rating
- QR code on side face leading to technical documentation and traceability at all times

Model	W.L.L (t)	Accuracy (kg)	Resolution (kg)	Weight (kg)	Model
Dynascale 1t	1	±5	1.0	3.5 kg	299089
Dynascale 3.2t	3.2	±16	2.0	3.6 kg	299099
Dynascale 6.5t	6.5	±32.5	5.0	6.3 kg	299109
Dynascale 12.5t	12.5	±62.5	10.0	15.8 kg	299119
Infrared remote control (incl. as standard)	-	-	-	-	299319

The delivery includes the Dynascale, an infrared remote control, 2 shackles, its user manual, its calibration report and its declaration of conformity. Supplied in a plastic case with protective foam padding. Weights above include shackles.



Eye hook

Model	Product Code
Eye hook 1t	299529
Eye hook 6.5t	299299
Eye hook 12.5t	299309



Swivel hooks

Model	Product Code
Swivel hook 3.2t	40977
Swivel hook 6.3t-6.5t	105567
Swivel hook 12.5t-15t	113227
Swivel hook 20t	105587

Dynafor Industrial

Featuring an integrated display, the Dynafor Industrial series of load indicators provides great value, with an accuracy of 0.3%.

- Capacity range from 1t up to 20t
- 5-digit LCD display, 18mm height
- 0.3% accuracy of measuring range
- Automatic time off set at 20 min (removal in option)
- Multiple integrated functions : On, Tare, Peak Hold, Units change (kg, lbs, daN)
- IP65 protection rating
- QR code on front face leading to technical documentation and traceability at all time

Model	W.L.L (t)	Accuracy (kg)	Resolution (kg)	Weight (kg)	Product Code
Dynafor Industrial 1T	1	±3	1.0	0.75	260889
Dynafor Industrial 3.2T	3.2	±9.6	2.0	0.93	260899
Dynafor Industrial 6.3T	6.3	±18.9	5.0	1.44	260909
Dynafor Industrial 12.5T	12.5	±37.5	10.0	3.22	260919
Dynafor Industrial 20T	20	±60	20.0	4.95	260929
Option - Time off removal	-	-	-	-	281097

The delivery includes the Dynafor Industrial, its user manual, its calibration report and its declaration of conformity. Supplied in a plastic case with protective foam padding.



Bow shackles

Model	Product Code
Bow shackle 0.5-3.2T	47916
Bow shackle 5,0 - 6.5 T	47926
Bow shackle 10T-12.5T	47936
Bow shackle 20T-25T	47946



Swivel hooks

Model	Product Code
Swivel hook 3.2t	40977
Swivel hook 6.3t-6.5t	105567
Swivel hook 12.5t-15t	113227
Swivel hook 20t	105587



Dynafor Pro



The Dynafor Pro is a versatile and robust wireless digital dynamometer, used in various weighing and force measurement applications.

- Capacity range from 1t up to 250t
- Wireless connection using Radio-Frequency 2.4Ghz with Tractel® Dynafor HHD, large displays AL63, DMU and software accessories, up to 400m
- Wireless connection using Bluetooth® with any smartphone equipped with our free app', up to 30m
- Both Bluetooth® and Radio-Frequency 2.4 GHz available simultaneously
- Various possibilities using several Pro and accessories
- 0.2% accuracy of measuring range
- IP 64 (HHD Display IP 65) protection rating (IP 67 in option)
- QR Code apposed on product leading to technical and traceability documentation

Model	W.L.L (t)	Accuracy (kg)	Resolution (kg)	Weight (kg)	Product Code
Dynafor Pro 1T	1	±2	0.2	0.7	293369
Dynafor Pro 3,2T	3.2	±6,4	0.5	0.86	293379
Dynafor Pro 6,5T	6.5	±13	1.0	1.6	293389
Dynafor Pro 15T	15	±30	5.0	3.66	293399
Dynafor Pro 25T	25	±50	10.0	5.33	293409
Dynafor Pro 50T	50	±100	20.0	11.45	293419
Dynafor Pro 100T	100	±200	50.0	27.48	293429
Dynafor Pro 100 t - Calibration certificate according to ISO 376 - 100 t	-	-	-	-	299459
Dynafor Pro 250 t - Calibration certificate according to ISO 376 - 250 t	-	-	-	-	299469
Dynafor Pro 250 t	250	±500	100.0	97.98	299449
Option - IP 67	-	-	-	-	281077

The delivery includes the Dynafor Pro, its user manual, its calibration report and its declaration of conformity. Supplied in a plastic case with protective foam padding



Dynafor HHD

Special offer when purchased with your loadlink Dynafor



Intuitive, equipped with a colored-LED display, the Dynafor HHD is a complete and versatile handheld display, which offers endless functionalities.

Adaptable, the Dynafor HHD can be connected to our Dynafor Pro, Dynafor Expert and Dynafor Transmitter WL. Up to 4 equipments can be simultaneously connected.

Model	Product Code
Dynafor HHD	293609

The delivery includes the Dynafor HHD, its user manual, its rugged plastic cover and its declaration of conformity. Supplied in sturdy cardboard packaging

Dynafor Pro

Lifting accessories

Bow shackles

Model	Product Code
Bow shackle 0.5-3.2T	47916
Bow shackle 5,0 - 6.5 T	47926
Bow shackle 10T-12.5T	47936
Bow shackle 15T	112427
Bow shackle 20T-25T	47946
Bow shackle 50T	47956
Bow shackle 100T	38166
Bow shackle 250T	93106



Swivel hooks

Model	Product Code
Swivel hook 3.2t	40977
Swivel hook 6.3t-6.5t	105567
Swivel hook 12.5t-15t	113227
Swivel hook 25t	51207
Swivel hook 50t	51447



Order products on day 1, will be shipped no later than day 2,

Order products on day 1, will be shipped no later than day 6. Maximum quantities apply for this service.

Available on request. Please enquire about delivery times of these items.

Dynafor Pro

Display accessories



Dynafor HDD

Wireless display



The Dynafor HDD is a complete and versatile handheld display.

Adaptable, it can be connected to our Dynafor Pro, Dynafor Expert and Dynafor Transmitter WL.

- Wireless range up to 400m
- Single and multi-sensors (max. 4) reading with sum function and/or subtraction functions
- Multiple display units (daN, kg, t, US Ton, lbs,kN)
- Tare & Peak hold functions
- Ergonomic interface

- Settable alarms with incorporated buzzer
- Manual data recording with up to 100 measures
- Autonomy up to 24h. Equipped with rechargeable battery. Charger included.
- Can be used in combination with large displays AL63 and DMU for modular solutions. For this type of connection, a DMU is required. The AL63 can also communicate directly with a DMU.
- Can be used with Tractel App at the same time
- QR Code apposed on product for technical and traceability documentation

Model	Product Code
Dynafor HDD	293449

The delivery includes the Dynafor HDD, its user manual, its rugged plastic cover and its declaration of conformity..
Supplied in sturdy cardboard packaging



Dynafor AL63

High visibility displays



The Dynafor AL63 is designed to visualize the efforts or loads measured by one up to 4 sensors in a large display.

It can be wirelessly connected to our Dynafor Pro, Dynafor Expert, up to 200m range.

- Connection from 1 up to 4 sensors, with automatic sum function.
- Visibility up to 45 m

- Tare, peak hold, unit's selection with the TLC remote control.
- Communication between Dynafor AL63 and sensors through RadioFrequency 2.4 GHz
- Can be used with monitor Dynafor DMU
Multiple configurations of monitors, sensors and displays are possible.

Model	Product Code
AL63 kit (incl. TLC remote control, connection unit)	294579
Power supply 110/230VAC -> 24 VDC	199046

The delivery includes the Dynafor AL63, its user manual, a remote control TLC, and its declaration of conformity.
Supplied in sturdy cardboard packaging

Dynafor DMU

The Dynafor DMU is a configurable safety device for managing 5 relays which are triggered in response to signals received from 1 or more electronic loadcells.

- Measure the rope tension or loads from 1 or more Dynafor Pro, Expert and Transmitter to control overload hoist safety system for exemple.
- Manage 5 relays with adjustable thresholds and hysteresis
- Used for shutting down off equipments, powering on visual and audible alarms..
- Monitor the network
- Connect the unit to a AL63 LED display with a cable
- Connect the unit to a remote display HHD



Model	Product Code
Dynafor DMU - Display Monitoring Unit	293479
Power supply 110/230VAC -> 24 VDC	199046

The delivery includes the Dynafor DMU, its user manual, its declaration of conformity.
Supplied in sturdy cardboard packaging

Dynasoft - software for Dynafor

The Dynasoft suite is composed of several modules:

- **Dynasoft Download** allows the transfer of measurements stored in our Dynafor HHD to the PC
- **Dynasoft Threshold Management** allows to transfer the alarm data saved in our Dynafor HHD to the PC and to set the thresholds on the PC to send them more easily to the HHD.
- **Dynasoft Monitoring** to perform real-time monitoring, recording and processing. The software needs to be used conjointly with our Dynafor HHD, and one to 16 Dynafor loadcells. Two packages are available. The basic and premium licenses are valid for an initial period of 1 year, which can be extended on expiration.



Model	Product Code
Dynasoft Basic (incl. Download & Threshold management) - First year	293509
Dynasoft Basic - renewal 1 year	287717
Dynasoft Premium (incl. Monitoring, Download & Threshold Management) - First year	294479
Dynasoft Premium - Renewal 1 year	287707

Softwares are delivered informatically, with an activation code.
Software activation requires Internet connection.

Certificates for Dynafor

Model	Product Code
ISO 376 - Certificate for Dynafor: 0,5 t	299167
ISO 376 - Certificate for Dynafor: 1 t to 5 t	299177
ISO 376 - Certificate for Dynafor: 6,3 t to 50 t	299187

Dynafor Expert



The Dynafor Expert specific mechanical design allows it to be extremely precise.

- Capacity range from 0.5t up to 10t
- Wireless connection using Radio-Frequency 2.4Ghz with Tractel® Dynafor HHD, large displays AL63, DMU and software accessories, up to 400m
- Wireless connection using Bluetooth® with any smartphone equipped with our free app', up to 30m
- Both Bluetooth® and Radio-Frequency 2.4 GHz available simultaneously
- Various possibilities using several Expert and accessories
- 0.1% accuracy of measuring range
- IP 64 protection rating (IP 67 in option)
- Unique loadcell compatible with clevis hooks and shackles
- QR Code apposed on product leading to technical and traceability documentation

Model	WLL (t)	Accuracy (kg)	Resolution (kg)	Weight (kg)	Product Code
Dynafor Expert 0.5T	0.5	±0.5	0.1	2.3	293299
Dynafor Expert 1T	1	±1	0.2	2.3	293309
Dynafor Expert 2T	2	±2	0.5	2.3	293319
Dynafor Expert 3.2T	3.2	±3.2	0.5	2.3	293329
Dynafor Expert 5T	5	±5	1.0	3.35	293339
Dynafore Expert 6.3T	6.3	±6.3	1.0	3.35	293349
Dynafor Expert 10T	10	±10	2.0	6.45	293359
Option - IP 67	-	-	-	-	281067

The delivery includes the Dynafor Expert, its user manual, its calibration report and its declaration of conformity. Supplied in a plastic case with protective foam padding




Dynafor HHD


Special offer when purchased with your loadlink Dynafor


Intuitive, equipped with a colored-LED display, the Dynafor HHD is a complete and versatile handheld display, which offers endless functionalities.

Adaptable, the Dynafor HHD can be connected to our Dynafor Pro, Dynafor Expert and Dynafor Transmitter WL. Up to 4 equipments can be simultaneously connected.

Model	Product Code
Dynafor HHD	293609

 Order products on day 1, will be shipped no later than day 2,

 Order products on day 1, will be shipped no later than day 6. Maximum quantities apply for this service.

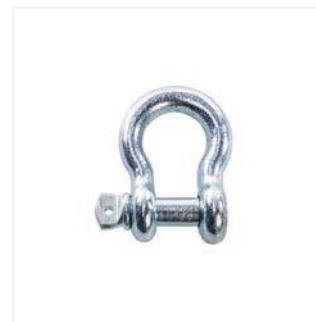
 Available on request. Please enquire about delivery times of these items.

Dynafor Expert

Lifting Accessories

Bow shackles

Model	Product Code
Bow shackle 0.5-3.2T	47916
Bow shackle 5,0 - 6.5 T	47926
Bow shackle 10T-12.5T	47936



Clevis shackles

Model	Product Code
Clevis shackle 0.5T-3.2T	111407
Clevis shackle 5T-6.3T	111417
Clevis shackle 10T	112207



Clevis Hooks

Model	Product Code
Clevis hook 0.5T-3.2T	111437
Clevis hook 5T-6.3T	111447
Clevis hook 10T	112217



Dynafor Expert



Dynafor HHD

Wireless display



The Dynafor HHD is a complete and versatile handheld display.

Adaptable, it can be connected to our Dynafor Pro, Dynafor Expert and Dynafor Transmitter WL.

- Wireless range up to 400m
- Single and multi-sensors (max. 4) reading with sum function and/or subtraction functions
- Multiple display units (daN, kg, t, US Ton, lbs,kN)
- Tare & Peak hold functions
- Ergonomic interface
- Settable alarms with incorporated buzzer
- Manual data recording with up to 100 measures
- Autonomy up to 24h. Equipped with rechargeable battery. Charger included.
- Can be used in combination with large displays AL63 and DMU for modular solutions. For this type of connection, a DMU is required. The AL63 can also communicate directly with a DMU.
- Can be used with Tractel App at the same time
- QR Code apposed on product for technical and traceability documentation

Model	Product Code
Dynafor HHD	293449

The delivery includes the Dynafor HHD, its user manual, its rugged plastic cover and its declaration of conformity. Supplied in sturdy cardboard packaging



Dynafor AL63

High visibility displays



The Dynafor AL63 is designed to visualize the efforts or loads measured by one up to 4 sensors in a large display.

It can be wirelessly connected to our Dynafor Pro, Dynafor Expert, up to 200m range.

- Connection from 1 up to 4 sensors, with automatic sum function.
- Visibility up to 45 m
- Tare, peak hold, unit's selection with the TLC remote control.
- Communication between Dynafor AL63 and sensors through RadioFrequency 2.4 GHz
- Can be used with monitor Dynafor DMU

Multiple configurations of monitors, sensors and displays are possible.

Model	Product Code
AL63 kit (incl. TLC remote control, connection unit)	294579
Power supply 110/230VAC -> 24 VDC	199046

The delivery includes the Dynafor AL63, its user manual, a remote control TLC, and its declaration of conformity. Supplied in sturdy cardboard packaging

Dynafor Expert

Dynafor DMU

Display Monitoring Unit

The Dynafor DMU is a configurable safety device for managing 5 relays which are triggered in response to signals received from 1 or more electronic loadcells.

- Measure the rope tension or loads from 1 or more Dynafor Pro, Expert and Transmitter to control overload hoist safety system for example.
- Manage 5 relays with adjustable thresholds and hysteresis
- Used for shutting down off equipments, powering on visual and audible alarms..
- Monitor the network
- Connect the unit to a AL63 LED display with a cable
- Connect the unit to a remote display HHD



Model	Product Code
Dynafor DMU - Display Monitoring Unit	293479
Power supply 110/230VAC -> 24 VDC	199046

The delivery includes the Dynafor DMU, its user manual, its declaration of conformity.
Supplied in sturdy cardboard packaging

Dynasoft - software for Dynafor

Connect your Dynafor load cells to your PC for additional functionality

The Dynasoft suite is composed of several modules:

- **Dynasoft Download** allows the transfer of measurements stored in our Dynafor HHD to the PC
- **Dynasoft Threshold Management** allows to transfer the alarm data saved in our Dynafor HHD to the PC and to set the thresholds on the PC to send them more easily to the HHD.
- **Dynasoft Monitoring** to perform real-time monitoring, recording and processing. The software needs to be used conjointly with our Dynafor HHD, and one to 16 Dynafor loadcells.

Two packages are available. The basic and premium licenses are valid for an initial period of 1 year, which can be extended on expiration.



Model	Product Code
Dynasoft Basic (incl. Download & Threshold management) - First year	293509
Dynasoft Basic - renewal 1 year	287717
Dynasoft Premium (incl. Monitoring, Download & Threshold Management) - First year	294479
Dynasoft Premium - Renewal 1 year	287707

Softwares are delivered informatically, with an activation code.
Software activation requires Internet connection.

Certificates for Dynafor

Model	Product Code
ISO 376 - Certificate for Dynafor: 0,5 t	299167
ISO 376 - Certificate for Dynafor: 1 t to 5 t	299177
ISO 376 - Certificate for Dynafor: 6,3 t to 50 t	299187

Mechanical Dynasafe

Quick and reliable load limiters



Dynasafe Mecha

Wire rope load limiter

The Dynasafe Mecha is a mechanical load limiter to be installed on a steel wire rope.

- 2 independant thresholds (max. 4A / 230 VAC)
- Can be used for overload protection, wire rope slack detection and others
- Easy to mount
- Repeatability of 1%
- Cable gland output - Length 2m
- QR Code apposed on product for technical and traceability documentation
- Factory setting available in option

Model	W.L.L (kg)	Rope Diameter (mm)	Product Code
Dynasafe Mecha 3.2	3200	5-16	293599
Dynasafe Mecha 7	7000	17-26	198959
Dynasafe Mecha 12	12000	24-35	38668
Option Mecha 3.2 - Extra cable lenght	-	-	282847
Option Mecha 7 - Extra cable lenght	-	-	288907

The delivery includes the Dynasafe Mecha, its user manual, its declaration of conformity. Supplied in sturdy cardboard packaging



Dynasafe HF 05

Dead-end load limiter

The Dynasafe HF05 is a mechanical load limiter to be installed on a fixed point (dead-end or specific mechanical design)

- Capacity up to 8 t
- 2 independant thresholds (max. 4A / 230 VAC)
- Can be used for overload protection and others
- Cable gland output - Length 2m
- Factory setting available in option

Model	W.L.L (kg)	Product Code
HF05/1/A2/AL	500	207298
HF05/2/A2/AL	1 000	207308
HF05/3/A2/AL	2 000	207318
HF05/4/A2/AL	3 200	207328
HF05/5/A2/AL	5 000	207338
HF05/6/A2/AL	8 000	207348

The delivery includes the Dynasafe HF05, its user manual, its declaration of conformity. Supplied in sturdy cardboard packaging

Dynasafe Mecha and HF05 setting

Model	Product Code
Option - Factory preset for Mecha 3.2	281407
Option - Factory preset for Mecha 7	274647
Option - Factory preset for HF05, Mecha 7 & 12	73887

Price is for one threshold setting. For Mecha, setting is done on wire ropes of structure 6X36 or 7X19, at the nearest diameter available at factory.

Applications

When a mechanical solution is not enough, and you want to :

- Display a load
- Integrate a sensor signal to your PLC (Programmable Logic Controller)
- Do real-time monitoring and relay management
- Manage several sensors individually and together

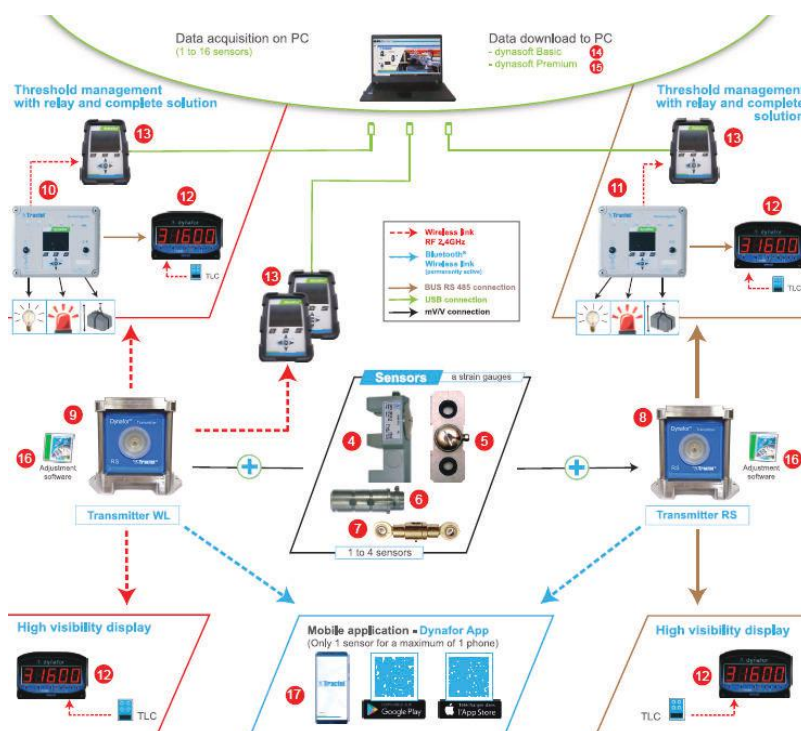
From the sensor definition, to the accessories option, Tractel supports you in defining an electronic solution that meets your requirements.

How to define a Dynasafe solution



1. Select or design a strain gauge sensor that fits perfectly in your application. Tractel offers standards sensors as well as specific sensors.
2. Define what type of connection do you need :
 - Wired connection through our Dynafor™ Transmitter RS
 - Wireless connection through our Dynafor™ Transmitter WL
 - Standard wired conditioner for analog output (4-20 mA, 0-10V)
3. Select the correct Tractel accessories to fulfill your needs

A fully modular system



Signal conditioner

2. Connection



Dynafor Transmitter WL & RS

Conditionner



The Dynafor Transmitter WL & RS are conditioners used to format the signal generated by a strain gauge sensor into a signal readable by our wired and wireless accessories.

It can be used with any sensor that has a mV/V output.

- Capacity defined by the associated sensor
- WL version :
 - Radio-Frequency 2.4GHz chipset for wireless range up to 400m with our accessories (HHD, AL63, DMU and softwares)
 - Bluetooth chipset for a connection to any smartdevice equipped with our free app', up to 30m
 - Both Bluetooth and Radio-Frequency 2.4 GHz available
- RS version :
 - RS485 output (proprietary) for a wired connection with accessories.
 - Bluetooth chipset aswell as WL version
 - Both RS485 and Bluetooth available
- Powered by 3 AA batteries for WL version, RS485 for RS version
- Combined with our required software "Dynasoft Adjustment", the system {Dynafor Transmitter RS or WL + sensor} is adjustable by the end-user for high accuracy.

Model	Product Code
Dynafor Transmitter RS	293469
Dynafor Transmitter WL	293459

The delivery includes the Dynafor Transmitter WL & RS, its user manual, its rugged plastic cover and its declaration of conformity. Supplied in sturdy cardboard packaging

Dynasoft Adjustment

Option required to calibrate the system

The Dynasoft Adjustment is mandatory to calibrate the loadcell and its Transmitter. It allows the user to set the system capacity, and makes possible to reach high accuracy.

Model Name	Product Code
Dynasoft Adjustment	199529

Software is delivered with a USB dongle, used for the connection between the Transmitter and the PC.

Once the Transmitter is selected, the system can communicate with our wired and wireless Tractel accessories (DMU, HHD, AL), presented on next pages

Dynasafe HF35

Wire rope electronic sensor

- Electronic loadcell for installation on a wire rope
- 1% accuracy of measuring range
- Capacity range from 2t to 20t
- Compatible with wire rope diameters 5 to 45 mm
- Cable gland output
- Customized signal output : mV/V, 0-10V, 4-20mA, Hz

Specify wire rope diameter, capacity on fall and signal output with your request.



Dynasafe HF10

Wired loadlink

- Electronic loadcell for installation on dead-end or integrated in a machine
- 0.2% accuracy of measuring range
- Capacity range from 1.6t to 16t
- Cable gland output
- Customized signal output : mV/V, 0-10V, 4-20mA, Hz

Specify effort and signal output with your request.



Dynasafe HF50

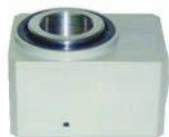
Load pin

- Shear stress electronic loadcell for installation as a shaft
- Most integrated product with no headroom loss
- 0.5% accuracy of measuring range
- Mechanical design according to customer's specification
- Custom capacity
- Cable gland output
- Customized signal output : mV/V, 0-10V, 4-20mA, Hz

Fulfill the loadpin specification sheet with your request.



Others designs available. For any request please contact us at : sales.uk@tractel.com





Dynafor HDD

Wireless display



The Dynafor HDD is a complete and versatile handheld display.

Adaptable, it can be connected to our Dynafor Pro, Dynafor Expert and Dynafor Transmitter WL.

- Wireless range up to 400m
- Single and multi-sensors (max. 4) reading with sum function and/or subtraction functions
- Multiple display units (daN, kg, t, US Ton, lbs,kN)
- Tare & Peak hold functions
- Ergonomic interface

- Settable alarms with incorporated buzzer
- Manual data recording with up to 100 measures
- Autonomy up to 24h. Equipped with rechargeable battery. Charger included.
- Can be used in combination with large displays AL63 and DMU for modular solutions. For this type of connection, a DMU is required. The AL63 can also communicate directly with a DMU.
- Can be used with Tractel App at the same time
- QR Code apposed on product for technical and traceability documentation

Model	Product Code
Dynafor HDD	293449

The delivery includes the Dynafor HDD, its user manual, its rugged plastic cover and its declaration of conformity. Supplied in sturdy cardboard packaging



Dynafor AL63

High visibility displays



The Dynafor AL63 is designed to visualize the efforts or loads measured by one up to 4 sensors in a large display.

It can be wirelessly connected to our Dynafor Pro, Dynafor Expert and Dynafor Transmitter WL, up to 400m range.

It also can be wired-connected to our Dynafor Transmitter RS.

- Connection from 1 up to 4 sensors, with automatic sum function.

- Visibility up to 45 m
 - Tare, peak hold, unit's selection with the TLC remote control.
 - Communication between Dynafor AL63 and sensors either through BUS RS 485, either through RadioFrequency 2.4 GHz
 - Can be used with monitor Dynafor DMU
- Multiple configurations of monitors, sensors and displays are possible.

Model	Product Code
AL63 kit (incl. TLC remote control, connection unit)	294579
Power supply 110/230VAC -> 24 VDC	199046
Bus cable RS485 (per meter)	31411
Connection Unit	244019
Dynafor TLC remote control	293499

The delivery includes the Dynafor AL63, its user manual, a remote control TLC, and its declaration of conformity. Supplied in sturdy cardboard packaging

Dynafor DMU

Display Monitoring Unit

The Dynafor DMU is a configurable safety device for managing 5 relays which are triggered in response to signals received from 1 or more electronic loadcells.

- Measure the rope tension or loads from 1 or more Dynafor Pro, Expert and Transmitter to control overload hoist safety system for exemple.
- Manage 5 relays with adjustable thresholds and hysteresis
- Used for shutting down off equipments, powering on visual and audible alarms..
- Monitor the network
- Connect the unit to a AL63 LED display with a cable
- Connect the unit to a remote display HHD



Model	Product Code
Dynafor DMU - Display Monitoring Unit	293479
Power supply 110/230VAC -> 24 VDC	199046
Bus cable RS485 (per meter)	31411
Connection Unit	244019

The delivery includes the Dynafor DMU, its user manual, its declaration of conformity.
Supplied in sturdy cardboard packaging

Dynasoft - software for Dynafor

Connect your Dynafor load cells to your PC for additional functionality

The Dynasoft suite is composed of several modules:

- **Dynasoft Download** allows the transfer of measurements stored in our Dynafor HHD to the PC
- **Dynasoft Threshold Management** allows to transfer the alarm data saved in our Dynafor HHD to the PC and to set the thresholds on the PC to send them more easily to the HHD.
- **Dynasoft Monitoring** to perform real-time monitoring, recording and processing. The software needs to be used conjointly with our Dynafor HHD, and one to 16 Dynafor loadcells.

Two packages are available. The basic and premium licenses are valid for an initial period of 1 year, which can be extended on expiration.



Model	Product Code
Dynasoft Basic (incl. Download & Threshold management) - First year	293509
Dynasoft Basic - renewal 1 year	287717
Dynasoft Premium (incl. Monitoring, Download & Threshold Management) - First year	294479
Dynasoft Premium - Renewal 1 year	287707

Softwares are delivered informatically, with an activation code.
Software activation required Internet connection.

Certificates for Dynafor

Model	Product Code
ISO 376 - Certificate for Dynafor: 0,5 t	299167
ISO 376 - Certificate for Dynafor: 1 t to 5 t	299177
ISO 376 - Certificate for Dynafor: 6,3 t to 50 t	299187



Dynarope HF37

Compact, lightweight and handy device for low capacities

The Dynarope tension meter HF37 is a precision device for measuring forces in a tensioned cable or rope, without dismantling the installation.

Can be used for guy wire maintenance, architectural wire rope installations, sailing ships, etc.

- Quick direct mounting on the wire or rope
- Capacity range from 50 to 3000 kg
- Extensive wire rope database
- 3% accuracy of measuring range, if wire rope and diameter included in the database
- Compatible with diameters from 5 to 16 mm
- LCD display directly on the sensor
- Possibility to add a wire or rope in the database

Model	W.L.L (kg)	Rope Diameter (mm)	Product Code
Kit Dynarope HF37/1/LPT	50 - 1 500	5 - 13	190008
Kit Dynarope HF37/2/LPT	100 - 3 000	5 - 16	190018
Specific wire rope calibration	-	-	111347

The delivery includes the Dynarope HF37, its display, the software Loader Light, its CE certificate and its manual. Supplied in a robust plastic case.



Dynaline HF 45

Adapted for lifeline

Specific model, based on HF37 technology, adapted to measure precisely tension in lifelines.

- Quick direct mounting on the wire or rope thanks to modified fixing hooks
- Capacity range from 50 to 600 kg
- Specific lifeline wire rope database
- 3% accuracy of measuring range, if wire rope and diameter included in the database
- Compatible with diameters from 8 to 12 mm
- LCD display directly on the sensor
- Possibility to add a wire or rope in the database

Model	W.L.L (kg)	Rope Diameter (mm)	Product Code
Kit Dynaline HF45/1/LPT	50 - 600	8 - 12	187998
Specific wire rope calibration	-	-	111347

The delivery includes the Dynaline HF45, its display, the software Loader Light, its CE certificate and its manual. Supplied in a robust plastic case.

Database extension and softwares

Model Name	Product Code
Option - Specific calibration for database	111347
Software Loader Full (incl. Loader Tech + Loader Light)	187978
Software Monitor - Real time monitoring on PC	193028

In order to perform calibration, a specific sample is required.

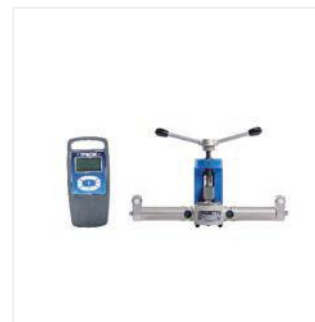
Loader Light (unload data saved in the tensiometer) always included with the kit

Dynarope HF 36

Tension meter for high capacities

The Dynarope tension meter HF36 is a precision device for measuring forces in a tensioned cable or rope, without dismantling the installation. Can be used for equalising wire rope installations, guy wire tower applications, guy wire antennas and masts applications...

- Direct mounting on wire or rope, tightening by turning the wheel
- Extensive capacity range from 100 kg to 40t
- Various wire rope database
- 1% accuracy of measuring range, if wire rope and diameter included in the database
- Compatible with diameters from 5 to 44 mm
- Separate LCD display connected with LEMO cable
- Possibility to add a wire or rope in the database



Model Name	W.L.L (kg)	Rope Diameter (mm)	Product Code
Kit Dynarope HF36/1/LPT	100 - 5 000	5 - 13	187938
Kit Dynarope HF36/2/LPT	100 - 20 000	9 - 28	187948

*For efforts above 20t, the complementary hydraulic kit is required. Contact Tractel.

The delivery includes the Dynarope HF36, its displays, the LEMO cable connection, the software Loader Light, its CE certificate and its manual. Supplied in a robust plastic case.

Dynarope HF 36/RWT

Tension meter designed for railway applications

The Dynarope tension meter HF36 model RWT is a very specific tensiometer designed to measure tension on catenaries, without dismantling the installation.

- Direct mounting on wire or rope, tightening by turning the wheel
- Modified support points to match catenaries shape
- Capacity range from 100 to 5000 kg with specific database
- 1% accuracy of measuring range, if wire rope and diameter included in the database
- Compatible with diameters from 9 to 28 mm
- Separate LCD display connected with LEMO cable

Model Name	W.L.L (kg)	Rope Diameter (mm)	Product Code
Kit Dynarope HF36/1/RWT	100 - 5 000	9 - 28	190688

The delivery includes the Dynarope HF36, its displays, the LEMO cable connection, the software Loader Light, its CE certificate and its manual. Supplied in a robust plastic case.

Database extension and softwares

Model Name	Product Code
Software Loader Full (incl. Loader Tech + Loader Light)	187978
Software Monitor - Real time monitoring on PC	193028

In order to perform calibration, a specific sample is required. Loader Light (unload data saved in the tensiometer) always included with the kit

Anchor test equipment

Anchor point testers and Dynaplug



Anchor Tester TA

Anchor testers TA are test specimens endowed with a breaking section calibrated to break under a determined traction force. The anchor tester must be installed between the anchor point to be tested and the loading device by means of shackles or any other adequate mechanical connection.

- Quick and reliable test
- Unique usage
- Capacity range from 600 to 4000 daN
- Breaking tolerance $\pm 10\%$

Model	Breaking load (daN)	Product Code
TA 600 - 20 plates	600	193269
TA 1000 - 20 plates	1 000	261769
TA 1200 - 20 plates	1 200	261779
TA 1500 - 20 plates	1 500	193279
TA 2000 - 20 plates	2 000	193289
TA 2500 - 20 plates	2 500	299859
TA 3000 - 20 plates	3 000	299869
TA 4000 - 10 plates	4 000	193299

The delivery includes the shear stress plates in batch of N plates, and its manual. Supplied in PE bag.



Dynaplug HF 44

Electronic anchor tester

The Dynaplug anchor tester is an electronic load cell designed to measure anchor strength in construction material. Its shape as a tripod has been especially designed to minimize its influence on the concrete around the fixing.

- Stand-alone anchor tester
- Capacity range from 1 500 to 5000 daN
- 0.5% accuracy of measuring range
- Height of legs adjustable between 70 and 190 mm
- Multiple accessories provided with the tester
- LCD display integrated on the device
- Data saving and possibility to monitor the tension on a PC in option



Model	W.L.L (daN)	Product Code
Kit Dynaplug HF44/1/LPT	1500	190028
Kit Dynaplug HF44/2/LPT	2500	190038
Kit Dynaplug HF44/3/LPT	5000	190048

The delivery includes the Dyplug HF44, 4 studs M10/M12/M14/M16 and one traction fork, 3 threaded rods to adjust the height of the legs, the software Loader Light, its CE certificate and its manual. Supplied in a robust plastic case.

Fall Protection





Safety harnesses and accessories

Page 150–174

Fall arresters and lanyards

Page 175–202

Safety connectors

Page 203–208

Anchor points

Page 209–222

Lifelines

Page 223–244

Safety ladders and rails

Page 245–278

Confined space access

Page 279–305

Rescue equipment

Page 306–310

Rope access equipment

Page 311–316

Safety at height

Worker safety and ergonomic working conditions are the two key topics to consider when planning work at height.

Collective protection

If working at height cannot be avoided, the installation of collective protection measures such as guard rails should be considered in the first instance. How to safely enter, exit and move around the area with collective protection are points that should be taken into consideration. All measures must be taken to prevent the performance of a particular job from leading to the temporary removal of collective protection equipment. In some instances the installation of temporary collective protection is also a good solution.



Using fall protection PPE

If it is impossible to use collective protection to protect against falls from height, PPE can be used to ensure worker safety. Before any height safety PPE is used, a fall protection plan should be created.

A fall protection plan is a safety plan for workers who will be at elevated work areas. Having a detailed fall protection plan is essential to ensure the highest degree of worker safety. The plan aims to provide a safe working environment and to manage the use of fall protection measures, techniques and equipment.



The following 7 topics should always be addressed in your fall protection plan:

- Assess all fall hazards in the work area
- The fall protection applications employees will be conducting in and the equipment they will need to work safely
- Correct procedures for assembly, use, inspection, maintenance and disassembly of fall protection systems used
- Correct procedures for handling, storage and securing of tools and materials
- Training required for the workers working on the jobsite
- The fall protection plan must be job and site specific
- The fall protection plan must be available to all workers

EN Standards

HARNESSES

EN361: Personal protective equipment against falls from height. Harness belts for work restraint and fall arrest.

EN358: Personal protective equipment for work positioning and prevention of falls from a height. Belts for work positioning and restraint and work positioning lanyards. Normally encompassing side 'D' rings on the waist belt, this allows the user to incorporate a work positioning belt.

EN813: Personal protective equipment against falls from height. Work seats. The seat belt **EN813** can be incorporated on the harness **EN361**. These harnesses have a padded seat and are suitable for working in full suspension. This includes rope access and activities such as window cleaning. It allows greater comfort for the user and has an attachment point for attaching a descender.

EN1497: Rescue harness, dedicated to the design and test of the rescue features in a harness. **EN1497** can be incorporated on the harness **EN361**.

LANYARDS

EN354: Personal protective equipment against falls from height. Lanyards. These can be made from webbing or rope and are suitable for work restraint.

EN355: Personal protective equipment against falls from height. Shock absorbers. These lanyards have a shock absorber and are suitable for fall arrest and work restraint. The maximum length of the lanyard is 2m.

CONNECTORS

EN362: Personal protective equipment against falls from height. Connectors. These include connectors like karabiners, scaffold hooks and dual action hooks. They are used for connecting to anchor points and structures.

ANCHOR POINTS

EN795: fall arrest anchorage point permitting connection to the structure. Two types:

1. PPE anchorage: is transportable anchorage not permanently fixed to the structure.

type (B): Temporary anchor points, **type (E):** Dead-weight anchors

2. NOT PPE anchorage: permanently fixed to the structure

type (A): Permanent anchoring, **type (C):** Permanent lanyard systems, **type (D):** Horizontal rail systems

FALL ARREST/CONTROLLED RATE DESCENDERS/ROPE GRABS

EN360: Personal protective equipment against falls from height. Automatic Fall arresters with retractable lanyards These blocks can be made from webbing or steel wire rope and, depending on the model, can be used in horizontal or vertical applications.

EN341: Evacuator from height. Descender devices for rescue. These controlled rate descenders can be used to lower a casualty or for self rescue from height. These can be equipped with a rescue winch **EN1496**

EN1496: Rescue winch / Rescue lifting devices. These devices can be used to raise a casualty back to the anchor point in the event of an emergency. They are often used as a secondary device

EN353-1: Personal protective equipment against falls from height. Guided type fall arresters including a rigid anchor line. These are permanently installed systems that can be either wire rope or rail. They include a traveller that will allow the user to ascend and descend. This mechanism will lock off in the event of a fall.

EN567: This standard covers mountaineering equipment such as those used in rope access. It includes rope clamp and ascenders.

RIGID & VERTICAL FALL ARREST

EN353-2: Personal protective equipment against falls from height. Guided type fall arresters including a flexible anchor line. These are temporary installed systems. Depending on the model, they can be used vertically or horizontally and for work restraint or fall arrest.

HELMETS

EN397: Industrial safety helmets. Head protection suitable for construction site use.

ADDITIONAL TECHNICAL SPECIFICATIONS

CNB/P/11.060 (horizontal use for the blocfor™ range)

CNB/P/11.062 (use with more than 100 kg user weight)

CNB/P/11.074 horizontal use for the lanyards range)

CNB/P/11.075 (horizontal use for the stopfor™ range)

CNP/P/11.085 (Retractable fall arrest device, Fall Factor 2)

COLLECTIVE PROTECTION

EN13374-A: Temporary edge protection systems. Temporary guardrail. It specifies the requirements and test methods for temporary edge protection systems for use during construction or maintenance of buildings and other structures.

EN14122-4: Safety of machinery — Permanent means of access to machinery. It gives requirements for non-powered guardrails which are a part of a stationary machine, and to the non-powered adjustable parts (e.g. foldable, slidable) and movable parts of those fixed means of access.

Before choosing fall protection, it is important to look at the environment and the situation in which you work. Each situation requires a specific approach, as well as appropriate equipment.

European standards recognize 5 types of fall protection.

Fall arrest

A fall arrest system prevents the user from falling to the ground in the case of a free fall. Its role is to arrest a fall safely by limiting the force of shock suffered by the user. It must be used with enough space that is free from obstacles, allowing the free fall (fall clearance).

EQUIPMENT REQUIRED

- Anchoring (EN 795)
- Harness (EN 361)
- Fall arrester (EN 355, EN 353-2, EN 360)
- Safety helmet (EN 397)

Working while suspended (rope access work)

A suspension work system allows a user to move on a rope when they are no longer in contact with a structure. The user moves in suspension, using a safety harness equipped with an umbilical attachment point, to which a vertical displacement system is connected.

This device is not intended to stop a fall and must be used in conjunction to a fall arrest system.

EQUIPMENT REQUIRED

- Anchoring (EN 795-A, B, D)
- Harness (EN 361, EN 358, EN 813)
- Fall arrester (EN 360, EN 353-2)
- Ascender (EN 567)
- Descender (EN 341)
- Safety helmet (EN 397)

Work restraint

A restraint system allows delimitation of a workspace, preventing the worker from entering an area which has a risk of falling.

This type of device is not intended to stop a fall from height.

EQUIPMENT REQUIRED

- Anchoring (EN 795)
- Harness or safety belt (EN 361, EN 358)
- Lanyard (EN 354)
- Adjustable lanyard (EN 358)
- Safety helmet (EN 397)

Rescue

A rescue system can evacuate a user on a vertical axis from top to bottom or from bottom to top. The use must be assessed before each intervention and the rescue system should be adapted to the site. Staff must be trained in its use.

EQUIPMENT REQUIRED

- Anchoring (EN 795)
- Harness (EN 361, EN 1497)
- Rescue or evacuation equipment (EN 341, EN 1496)
- Safety helmet (EN 397)

Work positioning

A work positioning system secures the operator at the place of work.

It consists of a work positioning belt and an adjustable lanyard. This system lets the operator make precise positional adjustments at the place of work while keeping both of his or her hands free to perform the task.

The purpose of this device is not to arrest a fall, it must be used in conjunction with a fall arrest system.

EQUIPMENT REQUIRED

- Anchoring (EN 795)
- Work positioning harness and belt (EN 361, EN 358)
- Work positioning lanyard (EN 358)
- Safety helmet (EN 397)



Tractel's fall arrest equipment specifications

High capacity range 150 kg and use of fall arrest equipment on sharp edges



Tractel is one of the first manufacturers to develop a complete range of fall arrest systems with a capacity greater than 100 kg, compliant with the EC requirements.

This range, including anchoring systems, connectors, fall arresters, automatic fall arresters, sliding fall arresters, harnesses, belts, and thigh straps, is tested according to European specifications:

- CNB/P/11.062 (for use above 100 kg)
- CNB/P/11.060 – 074 – 075 (for horizontal use / EDGE compliant)

This range is tested to stop the fall of an operator weighing 150 kg (this figure includes the weight of a person and their equipment) and allows employees to work safely at height, both vertically and horizontally, and in roof / edge applications.

In order to provide protection for the user up to the maximum allowed weight, the entire security line (anchorage – fall arrester – harness) must be HIGH CAPACITY RANGE 150 KG.

Please note: The component with the lowest capacity always determines the maximum capacity of the entire fall arrest system.

Use of the Tractel® fall arrest equipment on sharp edges:

Tractel fall protection PPE is intended for working at height, where there is a risk of falling vertically, as well as for working at height on a horizontal surface, where there is a risk of falling over a sharp edge (roof terrace use.)

Therefore, our ranges blocfor™*, stopfor™* and lanyards* are certified according to the sheets:

- **CNB/P/11.060** (for the blocfor range)
- **CNB/P/11.074** ((for the lanyards range)
- **CNB/P/11.075** (for the stopfor range)

Tractel products are tested to stop the fall of a person, including safety equipment and tools, weighing up to 150 kg.



Selecting your fall protection PPE

Tractel® offers a full range of Personal Protective Equipment (PPE) in order to offer the support and safety necessary to protect yourself from the risk of falling when working at height. With over 70 years of industry experience, Tractel® has built a culture of safety through its ingenuity in manufacturing innovative and high quality products.

BASIC REQUIREMENTS OF PPE

- PPE must be suitable for the user.
- PPE must be properly maintained and stored.
- The user must be trained and / or informed in the use, care and maintenance of the equipment.
- Employers must evaluate the PPE requirements.
- Employees must report any loss or damage to the PPE.
- PPE must be compatible with the systems used.

CREATE YOUR FALL ARREST SYSTEM

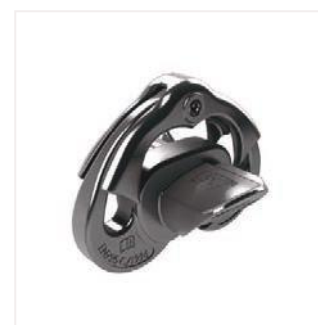
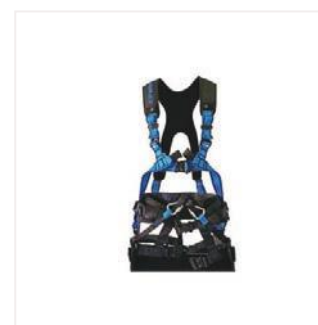
To protect yourself in the event of a fall, you must have a fall arrest system that will stop and support you.

This fall arrest system must contain:

- An anchor
- Fall arrester (rope grab, self-retracting lanyard, energy absorber)
- A safety harness

Your fall arrest system can be supplemented with a lanyard that limits your movements within a secured area

While working at height using fall arrest equipment, a helmet must be worn that is certified to EN 397, with chin strap and 4 fixing points and classified as PPE category III.



Harness details

Attachment points



DORSAL

Fall arrest attachment point, marked with the letter "A", present on all EN 361-compliant harnesses.



STERNAL

EN 361-compliant fall arrest attachment point, marked with the letter "A", and "A/2".



THORACIC

EN 361-compliant fall arrest attachment point, marked with the letter "A", and EN 358-compliant work positioning point.



UMBILICAL

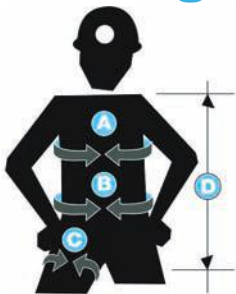
Attachment point for work while suspended (rope access work) EN 813.
Cannot be used as an anchor point for fall arrest purposes.



LATERAL

Attachment point for EN 358-compliant work positioning systems.
Cannot be used as an anchor point for fall arrest purposes.

Selecting the correct harness size



	S	M	XL	XXL*
A	60 - 100	80 - 120	100 - 160	130 - 170
B	75 - 100	90 - 110	100 - 150	130 - 170
C	45 - 60	45 - 70	45 - 80	80 - 90
D	55 - 65	65 - 80	80 - 90	90 - 100

in cm

*XXL sizes are only available for specific models, indicated directly on the pages concerned.

Harness series

Specialist series

Designed to meet specific job requirements and extended use - EN358 / EN361 / EN813



HT Access



HT Secours



HT Promast



HT Transport



HT Electra



HT Easyclimb



HT55 CS



HT ladytrac

Expert series

Generalist harnesses designed for daily use – EN361



HT56



HT55



HT120



HT46



HT45



HT45 with jacket



HT45 with jacket



HT44

Pro series

Designed for regular use – EN361



HT34



HT43



HT42



HT22



HT22 with jacket



HT22 with jacket

Essential series

Designed for occasional use - EN361



HT10



HT11

Specialist series

HT Access Harness

EN 361 - EN 358 - EN 813



The HT Access is a versatile and comfortable safety harness. It is perfect for rope access, rescue or fall arrest applications. We designed the HT Access to be the day-to-day working tool for everyone working at height.

Working in comfort reduces fatigue and the HT Access has been designed to do just that. This has a positive impact on the efficiency of the work carried out.

Comfort and Fit

The HT Access was designed to maximise the user comfort. The belt and Y-pad are made with high-density foam to reduce fatigue during long working operations. The fabric on the inner lining reduces perspiration. We have also added padding on the belt, back pad and the leg straps.

The innovative design of the shoulder straps allows free movement of the shoulders. The left shoulder strap includes an adjustable automatic buckle to allow for easy adjustment and removal of the harness. The shoulder straps connect to the belt with a double safety connector.

A well-fitting harness is both comfortable and safe. We have made sure all that all straps that need to be adjusted are fitted with easy-to-use buckles. Please find more information about making sure your harness fits well here. Putting the HT Access on is easy and quick. Traditional safety harnesses are put on like a jacket, but with this harness you put it on like a pair of trousers.

The HT Access is available in sizes S / M / XL / XXL

Connection points

While working at height, users want clarity. The sternal and back fall arrest connection points are in grey and equipped with a fall indicator. The work positioning and the umbilical rope access connection points are in blue. All connection points are made from aluminium and have a 65 mm diameter to increase the safety and comfort.

The wide umbilical connection point can easily be used with multiple rope access accessories.

When the work positioning connection points are not required, they can be folded away.

The 4 semi-rigid loops on the belt can be used to connect tools.

Online access to all important documents

Like all Tractel fall-protection equipment, the HT Access is connected to our Tracinfo platform. By scanning a QR Code on the harness, you can access all important documentation specific to your harness. Tracinfo can also be used to store details of periodic inspections and to set automatic reminders for future inspections.

A wide range of accessories can be combined with the HT Access harness. Please refer to the rope access equipment section.

	S	M	XL	XXL
HT Access	86512	86522	86532	87012



Semi-rigid loops on the belt



Shoulder adjustment and automatic buckle



Sternal connection point



Umbilical connection point

Specialist series

HT Promast Harness

EN361 - EN358 - EN813



Harness for rope access work. Designed for working in a suspended position for long periods of time.

- 1 dorsal anchorage with a big forged D to eliminate the risk of carabiner disconnection.
- 1 sternal anchorage textile loop.
- 1 umbilical suspension point textile loop.
- 2 lateral belt-attachment points.
- X-pad comfort backrest: Breathable and flexible - it gives the harness shape to make it easier to put on.
- Quick-release buckles.
- Sliders for strap adjustment. Cannot be removed for security reasons.
- Fall indicator on each attachment point.
- High-comfort, mountaineering design leg straps



	S	M	XL
HT Promast - Quick-release buckles	65242	65252	65262

HT Secours Harness

EN361 - EN358 - EN813



This harness offers considerable freedom of movement for rope access work. Designed for working in suspension.

- 1 dorsal with a big forged D anchorage to eliminate the risk of carabiner disconnection.
- 1 sternal anchorage.
- 1 umbilical suspension point textile loop.
- 2 lateral belt-attachment points.
- X-pad comfort back pad: Breathable and flexible - it gives the harness shape to make it easier to put on.
- Standard or Quick release buckles.
- Sliders for strap adjustment. Cannot be removed for security reasons.
- Fall indicator on each attachment point.
- High-comfort, mountaineering design leg straps (adjustable slider).



	S	M	XL	XXL
HT Secours - Standard buckles	-	66142	66152	-
HT Secours - Quick-release	65882	65892	65902	80812

Specialist series

HT Transport Harness

EN361 - EN358 - EN813



Comfort	<div style="width: 100%; height: 10px; background-color: #92d050;"></div>
Frequency of use	<div style="width: 100%; height: 10px; background-color: #92d050;"></div>
Integrated options	<div style="width: 90%; height: 10px; background-color: #92d050;"></div>



Harness for working on pylons, ensuring easy climbing, staying in position on the job and designed for working in suspension.

- 1 dorsal with a big forged D anchorage to eliminate the risk of carabiner disconnection.
- 1 sternal anchorage textile loop.
- 1 umbilical suspension point textile loop.
- 2 lateral belt-attachment points.
- X-pad comfort back pad: Breathable and flexible - it gives the harness shape to make it easier to put on.
- Quick-release buckles.
- Sliders for strap adjustment. Cannot be removed for security reasons.
- Fall indicator on each attachment point.
- High-comfort, mountaineering design leg straps (adjustable slider).



	S	M	XL
HT Transport - Quick-release buckles	65942	65952	65962
HT Transport - Quick-release buckles with Elastrac™	-	65982	65992



Work Seat

For working in a seated position for a long period of time.

The rigid sides avoid thigh compression.

It is equipped with three tool holders.

It can be installed by the user.

This work seat is compatible with the HT Secours, HT Access, HT Promast and HT Transport.

Model	Product Code
Work seat	65762

● Order products on day 1, will be shipped no later than day 2,

● Order products on day 1, will be shipped no later than day 6. Maximum quantities apply for this service.

○ Available on request. Please enquire about delivery times of these items.

Specialist series

HT Electra Harness

EN361 - EN358



Harness designed for working in the utilities industry. The HT Electra belt rotates inside the harness to allow for freedom of rotation when working on pylons.

- 1 dorsal with a big forged D anchorage to eliminate the risk of carabiner disconnection.
- 1 sternal anchorage textile loop.
- 2 lateral belt-attachment points.
- X-pad comfort back pad: Breathable and flexible - it gives the harness shape to make it easier to put on.
- Quick-release buckles.
- Sliders for strap adjustment. Cannot be removed for security reasons.
- Fall indicator on each attachment point.
- High-comfort, mountaineering design leg straps (adjustable slider).



	S	M	XL
HT Electra - Quick-release buckles	65272	65282	65292

Specialist series



HT Easyclimb Harness

EN361 - EN358



Harness designed for climbing up and down ladders equipped with EN 353-1 fall arrester, rails or wire rope. Its unique sternal attachment point (Tractel patent), situated on the belt, makes ladder movement easy.

- 1 dorsal with a big forged D anchorage to eliminate the risk of carabiner disconnection.
- 2 thoracic forged D anchorages.
- 1 attachment point umbilical forged D (anti roll-back).
- 2 lateral belt-attachment points.
- X-pad comfort back pad: Breathable and flexible - it gives the harness shape to make it easier to put on.
- Quick-release buckles.
- Sliders for strap adjustment. Cannot be removed for security reasons.
- Fall indicator on each attachment point.
- High-comfort, mountaineering design leg straps (adjustable slider).

Comfort	<div style="width: 100%; height: 10px; background-color: #92d050;"></div>
Frequency of use	<div style="width: 100%; height: 10px; background-color: #92d050;"></div>
Integrated options	<div style="width: 100%; height: 10px; background-color: #92d050;"></div>

	S	M	XL	XXL
HT Easyclimb - Quick-release buckles	66452	66462	66472	80712

● Order products on day 1, will be shipped no later than day 2,

● Order products on day 1, will be shipped no later than day 6. Maximum quantities apply for this service.

○ Available on request. Please enquire about delivery times of these items.

Harness HT55 Confined Space

EN 361



The HT55 harness can be used for confined space. It is particularly suited for use with a respiratory system which slides easily onto the belt.

Enhanced comfort is ensured by the back XPad, the mountaineering-type thigh straps, and the linkage between the shoulder straps and thigh straps by connecting buckles.

The harness is very easy to slip on as it opens fully at the front with the X-Pad preserving the harness form.

- Universal and very comfortable harness, automatic with extra comfort for long periods of work
- 1 dorsal with a big forged D anchorage to eliminate the risk of carabiner disconnection
- 1 sternal anchorage
- 1 special belt for respiratory system
- 1 comfort sub-pelvic strap
- Sliders for strap adjustment. Cannot be removed for security reasons
- 3 adjustment points
- Independent mountain leg strap High-comfort
- X-pad comfort back pad: Breathable and flexible - it gives the harness shape to make it easier to put on.
- Fall indicator in each anchorage
- Label holder



	M	XL
HT55 AE Confined Space	83912	83922

● Order products on day 1, will be shipped no later than day 2,

● Order products on day 1, will be shipped no later than day 6. Maximum quantities apply for this service.

Available on request. Please enquire about delivery times of these items.

ladytrac™ harness

A harness designed for women, a Tractel patented design.

EN361



At last, a harness designed for women:

- IPAF Innovation Award (International Powered Access Federation), Bauma 2010
- 1st Prize for Innovation, Expoprotection

A design adapted to the female form:

- The position of the straps are adapted to a woman's shape
- No friction on the upper body caused by the positioning of the straps
- The jacket fits the user's shape
- Comfort dedicated to women: light belt with elastic canvas

Increased safety in case of a fall:

- Much lower risks of lesions to the breast caused by contact with the straps in the advent of a fall
- The ladytrac patented concept ensures an ideal position of the straps on a woman's body
- Universal and very comfortable harness
- 1 dorsal forged D anchorage
- 3 Adjustment points
- Comfortable elastic jacket

In addition, the Ladytrac B version has:

- 2 belt attachment points (lateral)
- 4 Adjustment points

	M	XL
HT ladytrac - Quick-release Buckles	55882	55892
HT ladytrac B version - Quick-release Buckles	55282	-



● Order products on day 1, will be shipped no later than day 2,

● Order products on day 1, will be shipped no later than day 6. Maximum quantities apply for this service.

○ Available on request. Please enquire about delivery times of these items.

Harnesses HT56 and HT55

These harnesses are designed for a wide range of applications.

Enhanced comfort is ensured by the back X-Pad, the mountaineering-type thigh straps and the linkage between the shoulder straps and thigh straps by connecting buckles.

The harnesses are very easy to put on as it opens fully at the front with the X-Pad preserving the harness form.

- Universal and very comfortable harness automatic with extra comfort for long periods of work
- 1 dorsal with a big Forged D anchorage to eliminate the risk of carabiner disconnection & 1 sternal anchorage.
- 2 thoracic anchorage forged D for the HT56.
- 1 comfort sub-pelvic strap / 3 adjustment points.
- Sliders for strap adjustment. Cannot be removed for security reasons.
- Independent mountain leg strap High-comfort.
- X-pad comfort back pad: Breathable and flexible - it gives the harness shape to make it easier to put on.
- Fall indicator on each anchorage.
- Label holder: ideal to customise the harness with a name, logo, information, etc..

Harness HT56

EN361



	S	M	XL	XXL
HT56 - standard buckles	65302	65312	65322	-
HT56 - automatic buckles	65332	65342	65352	80682
HT56 - automatic buckles with Elastrac	-	65692	65702	-



Harness HT55

EN361



	S	M	XL	XXL
HT55 - Standard Buckles	65592	65602	65612	-
HT55A - Quick-release Buckles	65622	65632	65642	80632





HT120 Fall Arrest Harness

EN361



Harness designed for movement (up or down) on structures equipped with an EN 353.1 rail or cable fall arrester device equipped with an approved fall arrest umbilical anti-fallback system attachment point.

The HT120 harness is equipped with an approved fall arrest umbilical attachment point. This attachment point, while being fall arrest approved, provides comfortable support going up or down. HT 120 is the only harness on the market that offers this type of attachment point.

The HT120 harness is particularly adapted for climbing on ladders equipped with a rail-mounted FAB type fall arrester, whether or not including a tractelift climbing aid system.

It's patented design prevents the user from falling backwards in the event of a fall, eliminating the risk of serious back injuries

- 1 dorsal attachment point.
- 2 thoracic attachment points.
- 1 umbilical attachment point.

	S	M	XL
HT120 - Standard Buckles	61702	61712	61722

HT46 Fall Arrest Harness

EN361



- Comfortable for long periods of work
- 1 dorsal "Forged D clip", 1 sternal and 2 thoracic ones
- 5 adjustment points.
- 1 sub-pelvic strap

- Sliders for strap adjustment. Cannot be removed for security reasons.
- High comfort independent mountain leg strap
- Label holder.



	S	M	XL	XXL
HT46 - Standard Buckles	55042	55052	55062	-
HT46A - Automatic Buckles	52972	52982	52992	80552

● Order products on day 1, will be shipped no later than day 2,

● Order products on day 1, will be shipped no later than day 6. Maximum quantities apply for this service.

Available on request. Please enquire about delivery times of these items.

HT45 Fall Arrest Harness

EN361



- Comfortable for long periods of work
- 1 dorsal "Forged D clip", 1 sternal anchorage
- 5 adjustment points.
- 1 sub-pelvic strap.
- Sliders for strap adjustment. Cannot be removed for security reasons.
- Label holder.

	S	M	XL	XXL
HT45 - Standard Buckles	55012	55022	55032	75532
HT45A - Automatic Buckles	53072	53082	53092	-
HT45 AE - Automatic Buckles - Elastrac	-	54932	54942	-



HT44 Fall Arrest Harness

EN361



- Comfortable for long periods of work
- 1 dorsal "Forged D clip" and 2 thoracic ones.
- 5 adjustment points.
- 1 sub-pelvic strap.
- High comfort independent mountain leg strap
- Sliders for strap adjustment. Cannot be removed for security reasons.
- Label holder.

	M	XL
HT44 - Standard Buckles	44112	44122





HT34 Fall Arrest Harness with Work Positioning Belt

EN361 - EN358



- Universal harness with belt.
- 1 dorsal forged D anchorage.
- 1 sternal anchorage.
- 2 thoracic anchorage.
- 2 lateral hitch D rings.
- 6 adjustment points.
- 1 sub-pelvic strap.

	S	M	XL
HT34 - Standard Buckles	35352	35362	35372



HT43 Fall Arrest Harness

EN361



- 1 dorsal forged D anchorage.
- 1 sternal textile loop anchorage.
- 2 thoracic anchorage.
- 5 adjustment points.
- 1 sub-pelvic strap.

	S	M	XL
HT43 - Standard Buckles	33302	33292	33312
HT43 A - Quick-release Buckles	33332	33322	33342



HT42 Fall Arrest Harness

EN361



- 1 dorsal forged D anchorage.
- 2 thoracic anchorage.
- 5 adjustment points.
- 1 sub-pelvic strap.

	M	XL
HT42 - Standard Buckles	10042	31082

HT22 Fall Arrest Harness with X-pad Comfort Back Pad

EN361



- 1 dorsal forged D anchorage.
- 1 sternal textile loop anchorage.
- 5 adjustment points.
- 1 sub-pelvic strap.
- Sliders for strap adjustment. Cannot be removed for security reasons.
- X-pad comfort back pad: Breathable and flexible - it gives the harness shape to make it easier to put on.

	M	XL	XXL
HT22 XP XXL	69272	69292	80322



HT22 Fall Arrest Harness

EN361



- 1 dorsal forged D anchorage.
- 1 sternal textile loop anchorage.
- 5 adjustment points.
- 1 sub-pelvic strap.
- Sliders for strap adjustment. Cannot be removed for security reasons.

HT22 - Standard Buckles



Order products on day 1, will be shipped no later than day 2,

Order products on day 1, will be shipped no later than day 6. Maximum quantities apply for this service.

Available on request. Please enquire about delivery times of these items.

Pro series



Harness HT22 with jacket

EN361 - EN471



- 1 dorsal forged D anchorage.
- 1 sternal textile loop anchorage.
- 5 adjustment points.
- 1 sub-pelvic strap.
- Sliders for strap adjustment. Cannot be removed for security reasons.
- Orange/ yellow jacket : comfortable lightweight high-visibility vest - **Already installed on the harness.**

	M	XL
HT22 with orange jacket - Standard Buckles	83782	83792
	M	XL
HT22 with yellow jacket - Standard Buckles	83782	83792

Comfort	<div style="width: 100%; height: 10px; background-color: #90EE90;"></div>
Frequency of use	<div style="width: 75%; height: 10px; background-color: #90EE90;"></div>
Integrated options	<div style="width: 50%; height: 10px; background-color: #90EE90;"></div>



● Order products on day 1, will be shipped no later than day 2,

● Order products on day 1, will be shipped no later than day 6. Maximum quantities apply for this service.

Available on request. Please enquire about delivery times of these items.

HT22R Fall Arrest Harness

EN361 - EN1497



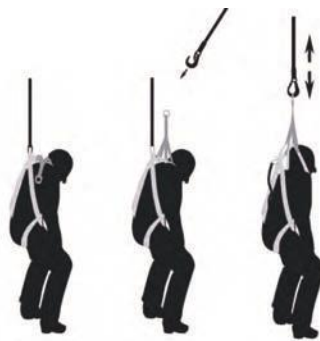
Universal harness with standard buckles and rescue straps.

The HT22 R is a harness specifically designed to rescue an operator working in a confined space. It is equipped with an emergency strap attached to the shoulder straps. This strap allows the operator to be raised in a perfect vertical position which facilitates the exit of the body through the manhole.

- 1 dorsal anchor point.
- 1 sternal anchorage point in textile loop.
- 1 sub-pelvic strap.
- 5 adjustment loops.



	S	M	XL
HT22R	44952	44962	44972



HT9 Evacuation Triangle

EN1497



Special harness for evacuation operations, easy to install, even with a person lying on the ground.

Due to its 3 adjustment settings, the HT9 can be used with both children and adults



Model	Product Code
HT9	17622

Order products on day 1, will be shipped no later than day 2,

Order products on day 1, will be shipped no later than day 6. Maximum quantities apply for this service.

Available on request. Please enquire about delivery times of these items.

Essential series



Comfort 
Frequency of use 
Integrated options 

HT11 Fall Arrest Harness

EN361



- 1 dorsal forged D anchorage.
- 3 adjustment points.
- 1 sub-pelvic strap.

	M
HT11	10002



Comfort 
Frequency of use 
Integrated options 

HT10 Fall Arrest Harness

EN361



- 1 dorsal forged D anchorage.
- Chest strap fitted with quick-release buckle.
- 3 adjustment points.

	M
HT10 - Standard Buckles	17892

How to correctly put on a harness

1

Hold the harness up by the rear "D" ring and check for any twists or tangles.



2

Put both of your arms through the shoulder straps.



3

Connect the front buckle and tighten.



4

Connect the leg straps and tighten.



5

Adjust the straps. The harness should be snug but not overly tight.



6

The harness is now fitted correctly. The rear "D" ring should be between the shoulder blades and the sub pelvic strap should be positioned under the buttocks. If in doubt ask a colleague to check your harness.



Scan this QR code to visit our website (tractel.com) and view the video that shows you how to properly put on and adjust your harness.



Taking two minutes to view this video can mean the difference between safety and injury in the event of a fall.

Helmets



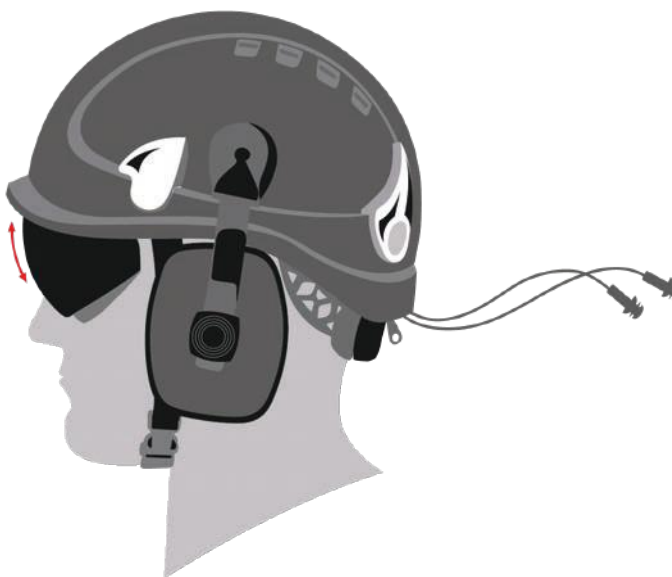
TR2000 helmet with 4 point chinstrap

EN397 - EN50365

Tractel's TR2000 helmet offers numerous advantages:


- Shell in polycarbonate for optimal protection from impacts and compression
- Short visor for easier upwards vision
- Available in 3 colours: blue, white and red
- Lightweight: 375 g
- Fast knurled wheel adjustment to head size 45 to 62 cm
- Fabric straps for ideal comfort
- Towelling all round sweatband
- Usage temperature -30°C to +40°C
- Service life: 5 years from the date of production
- Numerous accessories


Model	Product Code
Helmet - blue colour	60252
Helmet - red colour	60432
Helmet - white colour	60442




TR2000 helmet accessories

Model	Product Code
integrated visor, clear	60272
Integrated visor, tinted	60262
in-ear defender	60292
mounted ear defenders	60282
head torch clip	60302

 Order products on day 1, will be shipped no later than day 2,

 Order products on day 1, will be shipped no later than day 6. Maximum quantities apply for this service.

 Available on request. Please enquire about delivery times of these items.

Belts

CE restraint belts feature side attachment points for a support lanyard and are equipped with three tool bag buckles. The size is easily and quickly adjusted by a single set of loops. The belt is held in place with plastic loops. They can be combined with any harness from our range, using belt loops, making a fully integrated belt-harness solution.

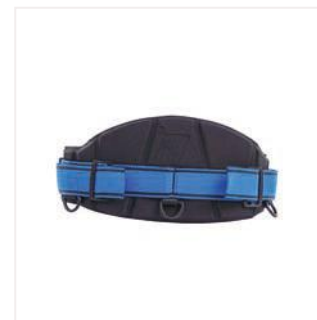


Safety Belt CE06

EN358

- Two wide easy access forged steel fastening buckles of 60mm.
- Large comfortable foam backpad.

Model	Size (Apparel)	Product Code
Safety Belt CE06 - Standard Buckles	S	80242
Safety Belt CE06 - Standard Buckles	M	80252
Safety Belt CE06 - Standard Buckles	XL	80262
Safety Belt CE06 - Quick-release buckles - Size S	S	80272
Safety Belt CE06 - Quick-release buckles - Size M	M	80282
Safety Belt CE06 - Quick-release buckles - Size XL	XL	80292



Safety Belt CE01

EN358

- Belt fits all harnesses with 2 pressed D ring of 45mm.

Model	Size (Apparel)	Product Code
Safety Belt CE01 - Standard Buckles	S	32882
Safety Belt CE01 - Standard Buckles	M	10052
Safety Belt CE01 - Standard Buckles	XL	10062
Safety Belt CE01 - Quick-release buckles	S	33202
Safety Belt CE01 - Quick-release buckles	M	33212
Safety Belt CE01 - Quick-release buckles	XL	33222



Order products on day 1, will be shipped no later than day 2,

Order products on day 1, will be shipped no later than day 6. Maximum quantities apply for this service.

Available on request. Please enquire about delivery times of these items.

Accessories



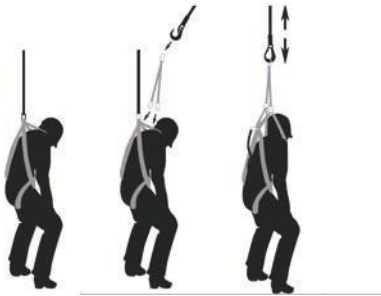
Rescue lanyard option R

Rescue lanyard with 3 connectors M10 to evacuate a casualty. This 60 cm long webbing extension fits all Tractel harnesses.

It is fixed directly onto the shoulder straps of the harness via two M10 connectors.

The rescue system is fixed onto the other end using a connector.

Model	Product Code
Option R	83892



Option RL

EN354

45mm webbing anchorage extender that attaches to the back D-ring of a fall arrest harness.

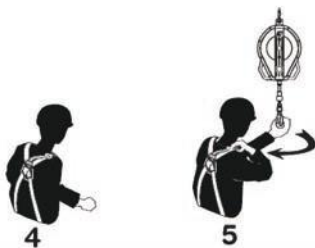
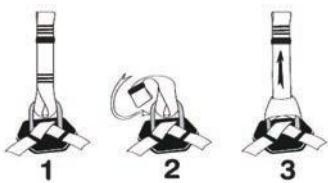
The extender is equipped with a plastic loop that allows the soft strand of the webbing to be positioned on one of the harness back straps when the extender is not in use.

Dimensions (mm)


- Webbing width 45 mm
- Total length: 260 mm
- 2 sewn loops
- Max. working load: 150 kg


Material


- Webbing: polyester



Model	Product Code
Option RL	32872

 Order products on day 1, will be shipped no later than day 2,

 Order products on day 1, will be shipped no later than day 6. Maximum quantities apply for this service.

 Available on request. Please enquire about delivery times of these items.

Suspension trauma straps

Accessory for safety harnesses

The Suspension trauma straps is a portable, lightweight accessory that fits onto any harness and can be deployed in the event of a fall. The comfort strap has a foot loop for the user to stand in while suspended. It allows the user to stand up straight, relieving any pressure on the legs.

Suspension syncope can occur when the user is left suspended in a hanging position following a fall. During this time the harness can cut into the thighs, restricting blood flow, which can cause a series of complications including fainting and even death.

Specification

- Hardwearing zipped pouch, 80 mm diameter, 40 mm thick.
- Strap made from polyamide strap and zinc plated steel.
- Adjustment buckle.
- Easily adjustable up to 1.2 m to suit the height of the user.
- Weight: 100 g.
- User manual included within the pouch.
- Quick and easy to attach to the harness.
- Suitable for use with any Tractel harness.

Easy to Use

Step 1 - Unzip the pouch and deploy the leg loop.

Step 2 - Place both feet in the foot loop.

Step 3 - Adjust the strap as required.

Step 4 - Stand up straight to relieve pressure on the legs.



Model	Product Code
Suspension trauma strap	66182

X-Pad

Removable X-Pad for Tractel harnesses

The X-Pad can be installed on all Tractel existing harnesses (except the HT Ladytrac and HT Access), including those with the Elastrac option, by the users themselves.

On the left shoulder strap, the X-Pad is equipped with a label holder designed to receive a traceability card dedicated to the user.

Following customers' feedback regarding the comfort around the neck, the 2 straps around the neck have now a wide opening.

Gives rigidity to hold the harness into a good shape for an easy put on.

The X-Pad is individually available.

The X-Pad is equipping our Specialties harness series and harness HT55 and HT56.



Model	Product Code
X-Pad N	86612

Accessories



High-visibility vest

EN471 - EC/ISO standard 20471, class 2

Comfortable lightweight high-visibility vest specifically developed for use with TRACTEL® harnesses without belt.

Reflective vests provide double security in those situations where there may not be enough light to be seen by others and by night. It makes the wearer visible at all times and in all weathers thanks to the retroreflective warning strips.

- Fluorescent outer fabric of polycotton (80% polyester / 20% cotton): resistant to all kinds of grease and dirt.
- Black honeycomb-structure lining, 100% polyester: reduces transpiration for the wearer's comfort.
- Two double pockets on the front of the vest, each with a flap that can be closed with press studs.
- Grey 50 mm-wide retro-reflective strip.
- Light weight: 660g.
- Easy to position the harness within the vest. Fast, simple and safe donning : once the harness has been set up in the vest, the user can easily slip on the garment with the harness fitted in.
- One size only : the sides can be let in or out thanks to clever inlays connected by an elastic cord, adjustable using a clip.
- Can be washed in a standard washing machine at 60°C.

Model	Product Code
High-visibility vest - Orange	75672
High-visibility vest - Yellow	75662



Order products on day 1, will be shipped no later than day 2,



Order products on day 1, will be shipped no later than day 6. Maximum quantities apply for this service.



Available on request. Please enquire about delivery times of these items.

Tool holding accessories

Tractel tool holders are compatible with a vast majority of standard tools, weighing up to 5 kg. When a tool holder is utilised, it eliminates the risk of a serious accident caused by falling tools. This line of accessories does not inhibit a person's ability to fully utilise the required tools and ensures complete safety by eliminating the risk of objects falling from height.



ETL



ETLS



TL

Model	Product Code
ETL	74782
ETLS	74812
TL	74842
TLS	74872
TWB	74902
OAS	75572



TWB



OAS

Tool holding bag


Designed to be attached to Tractel harness belts.


It's thoughtfully designed to enable the user to safely carry the tools and small components required when working at height.


- A main, open compartment measuring 220mm wide x 70mm deep x 350mm high. The base of the pouch is leather-reinforced to prevent it from being cut or pierced by sharp tools.
- A Velcro-closable pocket measuring 220mm wide x 20mm deep x 180mm high.
- Two front pockets measuring 110mm wide x 20mm deep x 180mm high



Model	Product Code
Tool holding bag	75582

 Order products on day 1, will be shipped no later than day 2.

 Order products on day 1, will be shipped no later than day 6. Maximum quantities apply for this service.

 Available on request. Please enquire about delivery times of these items.

Bags

Model	Description	Product Code
Cloth pocket bag	Zip fastening / Size : 400 x 290 x 20 mm	11942
Cloth shoulder bag	Zip fastening / Size : 430 x 310 x 150 mm	10542
Backpack	Zip fastening / Size : 420 x 260 x 120 mm	67392
Combipro 20L	Waterproof canvas carrying bag Zip fastening / Size : 360 X 320 mm	50992
Combipro 30L	Waterproof canvas carrying bag Zip fastening / Size : 570 X 410 mm	20812
Combipro 60L	Waterproof canvas carrying bag Zip fastening / Size : 680 X 510 mm	20822
Derope drob bag	Backpack / Size: 430 x 310 x 150 mm	67422
tracpode canvas bag	Zip fastening / Size : 1900 x 290 x 290 mm	31572
Transport bag	Zip fastening / Size : 1550 x 270 x 270 mm	68752



Cloth pocket bag



Cloth shoulder bag



Backpack



combipro 20l



combipro 30l



combipro 60l



derope bag



tracpode bag



Door anchor bag

How to choose your fall arrest device

Selecting the right fall arrest device



Self-retracting fall arrest: blocfor range

These fall arrest devices are particularly well suited to all types of work involving vertical and horizontal movement. They facilitate the operator's horizontal movement over surfaces covered with obstacles such as flat roofs or industrial sites.

Conform to standard EN360 and to European data sheets CNB/P/11.060 (for horizontal use) & CNB/P/11/062 (for use above 100 kg).

WORK APPLICATIONS

- Working on scaffolding, in cradles, etc.
- Working on flat roofs.
- Maintenance work.

Guided-type fall arrest on an anchor line: stopfor range

These fall arrest devices are recommended for work involving vertical movements. Some of them have also been tested for horizontal movements, which require manual assistance.

Conform to standard EN353-2 and to European data sheets CNB/P/11.060 (for horizontal use) & CNB/P/11/062 (for use above 100 kg).

WORK APPLICATIONS

- Working on ladders.
- Working on roofs.
- Cleaning windows.
- Rope access work.

Shock-absorbing fall arrest: shock-absorbing lanyard range

These fall arrest devices are suited to tasks where there is limited freedom of movement.

Conform to European data sheets CNB/P/11.060 (for horizontal use) & CNB/P/11/062 (for use above 100 kg).

WORK APPLICATIONS

- Working on roofs.

Applicable standards

• EN 360 : (Blocfor range)

An automatic fall arrest device is a device equipped with a lanyard (cable or strap) kept constantly in tension. It allows for the movement of users without manual intervention. The system automatically locks when there is an acceleration of the lanyard and immobilizes the user in case of a fall. These fall arrest devices exist in different lengths and different materials are used for the lanyard.

• EN 353-2: (Stopfor range)

A fall arrest device on a flexible belay is a device that moves freely during ascent and descent and automatically locks on the rope in case of a fall. The belaying support may be stranded rope or braided rope. These flexible supports must be weighted with a counterweight.

• EN 355: (shock absorber lanyard range)

An energy absorbing fall arrester makes it possible to arrest a fall in a short distance (max 2m). Its design ensures total safety for a fall factor of 2. In case of a fall the absorber will tear out sufficiently to reduce the force of the impact.

Each fall arrest described above, in the event of a fall,
will ensure that the user will not be subjected to an impact of more than 600 daN.

Blocfor 1.8 A ESD fall arrest devices

EN 360



The Blocfor 1.8A ESD is a self-retracting lifeline designed to provide maximum protection while ensuring unmatched user comfort.

It is equipped with the exclusive ESD (End System Dissipator) technology. This ESD system guarantees that the arresting force remains below 600 daN, even if the user falls when the webbing is fully extended. It delivers optimal comfort and significantly reduces the impact on the user's body in the event of a fall.

For the user, the Blocfor 1.8A ESD has many advantages:

- Plastic housing made of a polyamide/ABS blend : very resistant to shocks and to UV.
- Aramid strap : Width of 16 mm. - length 1,23 m.
- Simplified mechanism to optimize maintenance.
- Shock-absorption system ESD is also a fall indicator, eliminating the risk of using the device after a fall. It ensures that the user will not be subjected to an impact of more than 600 daN even if the fall occurs when the cable is fully unwound.
- Integrated swivel, which prevents twisting and ensures smooth, effortless retraction of the webbing.
- Visual fall indicator allows users to instantly check whether the device has been subjected to a fall, offering simple and reliable verification of its integrity.
- Ergonomically shaped: easy to transport and to install.

Thanks to its ultra-light weight and compact design, it is easy to carry and discreet in use, never hindering the operator's movements. Its optimized ergonomics provide an intuitive and comfortable grip, even during prolonged tasks.

Versatile and reliable, it meets the demands of the most challenging applications:

- Maintenance work on aerial lifts and scaffolding
- Roof and terrace work
- Safe horizontal use: even on sharp edges with a radius as small as 0.5 mm
- Fall factor 2: total freedom, including when working with an anchor point at foot level

Length : 1,8 metres.

Model	Weight (kg)	Product Code
Blocfor 1.8A ESD M24 M47 150 kg	-	88882
Blocfor 1.8A ESD M11 M47 150 kg	-	88892
Blocfor 1.8A ESD M51 M47 150 kg	-	88902
Blocfor 1.8A ESD M53 M47 150 kg	-	88912

Connectors available :



Order products on day 1, will be shipped no later than day 2



Order products on day 1, will be shipped no later than day 3. Maximum quantities apply for this service.



Available on request. Please enquire about delivery times of these items.

Blocfor 1.8 B EVO ESD fall arrest devices

EN 360

The Blocfor 1.8B EVO ESD is a self-retracting lifeline designed to provide maximum protection while ensuring unmatched user comfort.

It is equipped with the exclusive ESD (End System Dissipator) technology. This ESD system guarantees that the arresting force remains below 600 daN, even if the user falls when the webbing is fully extended. It delivers optimal comfort and significantly reduces the impact on the user's body in the event of a fall.

For the user, the Blocfor 1.8B EVO ESD has many advantages:

- Plastic housing made of a polyamide/ABS blend : very resistant to shocks and to UV.
- Aramid strap : Width of 20 mm. - length 1,39 m.
- Simplified mechanism to optimize maintenance.
- Shock-absorption system ESD is also a fall indicator, eliminating the risk of using the device after a fall. It ensures that the user will not be subjected to an impact of more than 600 daN even if the fall occurs when the cable is fully unwound.
- Integrated swivel, which prevents twisting and ensures smooth, effortless retraction of the webbing.
- Visual fall indicator allows users to instantly check whether the device has been subjected to a fall, offering simple and reliable verification of its integrity.
- Ergonomically shaped: easy to transport and to install.

Thanks to its ultra-light weight and compact design, it is easy to carry and discreet in use, never hindering the operator's movements. Its optimized ergonomics provide an intuitive and comfortable grip, even during prolonged tasks.

Versatile and reliable, it meets the demands of the most challenging applications:

- Maintenance work on aerial lifts and scaffolding
- Roof and terrace work
- Safe horizontal use: even on sharp edges with a radius as small as 0.5 mm
- Fall factor 2: total freedom, including when working with an anchor point at foot level

Unlike Blocfor 1.8A ESD, the shock-absorption system ESD of the Blocfor 1.8B EVO ESD is positioned on the side of the attachment point of the harness, between the Blocfor and the fall arrest point on the user's harness. The strap (fitted with a M51 or M53 connector) is connected to the anchor point of the Blocfor on the structure.

Length : 1,8 metres.

Model	Weight (kg)	Product Code
Blocfor 1.8B EVO ESD M51 - M47	1.55	84082
Blocfor 1.8B EVO ESD M53 - M47	1.55	86292

Connectors available :



Order products on day 1, will be shipped no later than day 2



Order products on day 1, will be shipped no later than day 3. Maximum quantities apply for this service.



Available on request. Please enquire about delivery times of these items.



Blocfor 1.8 DUO ESD fall arrest devices

EN 360



Double SRL for scaffolding fall protection

Depending on your activity, you can be in situations where you have to regularly change to another anchorage point. Due to the fact you are probably in an area where you have a falling hazard you have to be connected constantly.

The Blocfor 1.8B DUO EVO ESD is a self-retracting lifeline designed to provide maximum protection while ensuring unmatched user comfort. With this product, you can be connected with 1 hook to the structure and if you have to pass an obstacle or change to another anchorage point you attach the second hook to the structure. When the second hook is connected you can remove the first hook. If you work like this you will be always secured.

It is equipped with the exclusive ESD (End System Dissipator) technology. This ESD system guarantees that the arresting force remains below 600 daN, even if the user falls when the webbing is fully extended. It delivers optimal comfort and significantly reduces the impact on the user's body in the event of a fall.

For the user, the Blocfor 1.8B DUO EVO ESD has many advantages:

- Plastic housing made of a polyamide/ABS blend : very resistant to shocks and to UV.
- Aramid strap : Width of 20 mm. - length 1,39 m.
- Simplified mechanism to optimize maintenance.
- Shock-absorption system ESD is also a fall indicator, eliminating the risk of using the device after a fall. It ensures that the user will not be subjected to an impact of more than 600 daN even if the fall occurs when the cable is fully unwound.
- Integrated swivel, which prevents twisting and ensures smooth, effortless retraction of the webbing.
- Visual fall indicator allows users to instantly check whether the device has been subjected to a fall, offering simple and reliable verification of its integrity.
- Ergonomically shaped: easy to transport and to install.

Can be used for maintenance operations in gondolas, on scaffolding, climbing in masts and pylons.


- Suitable for horizontal use with edges with a minimum radius of 0.5mm.
- Can be used in fall factor 2: possibility to work above the equipment anchorage point.


Length : 1,8 metres.


Model	Weight (kg)	Product Code
Blocfor 1.8B DUO ESD 150KG M47-M51	2.66	84762
Blocfor 1.8B DUO ESD 150KG M47-M54	3.60	86992

Connectors available :



 Order products on day 1, will be shipped no later than day 2

 Order products on day 1, will be shipped no later than day 3. Maximum quantities apply for this service.

 Available on request. Please enquire about delivery times of these items.

Blocfor 6 ESD fall arrest devices

EN 360

The Blocfor 6 ESD is a self-retracting lifeline designed to provide maximum protection while ensuring unmatched user comfort.

It is equipped with the exclusive ESD (End System Dissipator) technology. This ESD system guarantees that the arresting force remains below 600 daN, even if the user falls when the webbing is fully extended. It delivers optimal comfort and significantly reduces the impact on the user's body in the event of a fall.

The Blocfor 6 ESD features an integrated swivel, which prevents twisting and ensures smooth, effortless retraction of the webbing. Its visual fall indicator allows users to instantly check whether the device has been subjected to a fall, offering simple and reliable verification of its integrity.

For the user, the Blocfor 6 ESD has many advantages:

- Plastic housing made of a polyamide/ABS blend : very resistant to shocks and to UV.
- Aramid strap : Width of 25 mm. - length 6 m (Blocfor 6 ESD).
- Simplified mechanism to optimize maintenance.
- Shock-absorption system ESD is also a fall indicator, eliminating the risk of using the device after a fall. It ensures that the user will not be subjected to an impact of more than 600 daN even if the fall occurs when the cable is fully unwound.
- Ergonomically shaped: easy to transport and to install.

Length : 6 metres.

Model	Fall Braking System	Product Code
Blocfor 6 ESD M10 M47	0.8	70662



Order products on day 1, will be shipped no later than day 2

Order products on day 1, will be shipped no later than day 3. Maximum quantities apply for this service.

Available on request. Please enquire about delivery times of these items.

Blocfor 10 ESD fall arrest devices

EN 360



The Blocfor 10 ESD 150 kg serves as an advanced retractable fall arrester requiring enhanced impact protection and cable durability.

It is equipped with the exclusive ESD (End System Dissipator) technology. This ESD system guarantees that the arresting force remains below 600 daN, even if the user falls when the webbing is fully extended. It delivers optimal comfort and significantly reduces the impact on the user's body in the event of a fall.

The Blocfor 10 ESD features an integrated swivel, which prevents twisting and ensures smooth, effortless retraction of the webbing. Its visual fall indicator allows users to instantly check whether the device has been subjected to a fall, offering simple and reliable verification of its integrity.

For the user, the Blocfor 10 ESD has many advantages:

- Plastic housing made of a polyamide/ABS blend : very resistant to shocks and to UV.
- Simplified mechanism to optimize maintenance.
- Shock-absorption system ESD is also a fall indicator, eliminating the risk of using the device after a fall. It ensures that the user will not be subjected to an impact of more than 600 daN even if the fall occurs when the cable is fully unwound.
- 3 versions existing : galvanized, synthetic and stainless steel wire rope.

Length : 10 metres.

Model	Description	Weight (kg)	Product Code
Blocfor 10 ESD G M24-M47	Galvanised rope	5.52 kg	70572
Blocfor ESD SR M24-M47	Synthetic rope	4.50 kg	74372
Blocfor 10 I ESD M10I - M10I	Stainless steel rope	4,86 kg	79002

(Blocfor 10 ESD SR and Blocfor 10 ESD I only suitable for vertical use)

Order products on day 1, will be shipped no later than day 2

Order products on day 1, will be shipped no later than day 3. Maximum quantities apply for this service.

Available on request. Please enquire about delivery times of these items.

Blocfor 20 EVO ESD 150kg

EN 360

The Blocfor 20 EVO ESD 150 kg serves as an advanced retractable fall arrester requiring enhanced impact protection and cable durability.

It is equipped with the exclusive ESD (End System Dissipator) technology. This ESD system guarantees that the arresting force remains below 600 daN, even if the user falls when the webbing is fully extended. It delivers optimal comfort and significantly reduces the impact on the user's body in the event of a fall.

The Blocfor 20 EVO ESD features an integrated swivel, which prevents twisting and ensures smooth, effortless retraction of the webbing. Its visual fall indicator allows users to instantly check whether the device has been subjected to a fall, offering simple and reliable verification of its integrity.

For the user, the Blocfor 20 EVO ESD has many advantages:

- Plastic housing made of a polyamide/ABS blend : very resistant to shocks and to UV.
- Ergonomic handle for easy handling during transport and installation.
- A simple and proven mechanism to optimise its operation and maintenance.
- Shock-absorption system ESD is also a fall indicator, eliminating the risk of using the device after a fall. It ensures that the user will not be subjected to an impact of more than 600 daN even if the fall occurs when the cable is fully unwound.
- A reinforced spring which ensures a perfect winding of the entire wire rope.
- 3 versions existing : galvanized, synthetic and stainless steel wire rope.

Length : 20 metres.

Model	Material	Weight (kg)	Product Code
Blocfor 20 EVO ESD G 150 kg	galvanised rope	9.4	86662
Blocfor 20 EVO ESD I 150 kg	Stainless steel rope	9.1	86672
Blocfor 20 EVO ESD SR 150 kg	Synthetic rope	8	86652

(Blocfor 20 EVO ESD SR and Blocfor 20 EVOS ESD I only suitable for vertical use)



Order products on day 1, will be shipped no later than day 2

Order products on day 1, will be shipped no later than day 3. Maximum quantities apply for this service.

Available on request. Please enquire about delivery times of these items.

Blocfor 30 ESD fall arrest devices

EN 360



The Blocfor 30 ESD 150 kg serves as an advanced retractable fall arrester requiring enhanced impact protection and cable durability.

It is equipped with the exclusive ESD (End System Dissipator) technology. This ESD system guarantees that the arresting force remains below 600 daN, even if the user falls when the webbing is fully extended. It delivers optimal comfort and significantly reduces the impact on the user's body in the event of a fall.

The Blocfor 30 ESD features an integrated swivel, which prevents twisting and ensures smooth, effortless retraction of the webbing. Its visual fall indicator allows users to instantly check whether the device has been subjected to a fall, offering simple and reliable verification of its integrity.


For the user, the Blocfor 30 ESD has many advantages:


- The housing is made of coated aluminium: highly resistant to shocks and abrasion.
- A blocking mechanism with a double locking pin which reduces the activation time
- Shock-absorption system ESD is also a fall indicator, eliminating the risk of using the device after a fall. It ensures that the user will not be subjected to an impact of more than 600 daN even if the fall occurs when the cable is fully unwound.
- A reinforced spring which ensures a perfect winding of the entire wire rope.
- 2 versions existing : galvanized and stainless steel wire rope.


Length : 30 metres.

Model	Description	Weight (kg)	Product Code
Blocfor 30 ESD 150 kg M10 M47 - Galvanized	Galvanised rope	16.6 kg	74532
Blocfor 30 ESD I M10I M10I 150 kg - Stainless Steel	Stainless steel rope	17.6 kg	79032

(Blocfor 30 ESD I only suitable for vertical use)

 Order products on day 1, will be shipped no later than day 2

 Order products on day 1, will be shipped no later than day 3. Maximum quantities apply for this service.

 Available on request. Please enquire about delivery times of these items.

Blocfor R EVO ESD

EN 360 - EN 1496-B

The Blocfor 10R & 20R EVO ESD 150 kg functions like a standard retractable fall arrester to stop the fall of an operator. It also features an integrated rescue winch system that can be easily activated after a fall to rapidly evacuate a person upwards or downwards in case of a rescue operation.

It is equipped with the exclusive ESD (End System Dissipator) technology. This ESD system guarantees that the arresting force remains below 600 daN, even if the user falls when the webbing is fully extended. It delivers optimal comfort and significantly reduces the impact on the user's body in the event of a fall.

For the user, the Blocfor 10R & 20R EVO ESD has many advantages:

- Handle-type anchorage capable of receiving large-diameter connectors.
- Automatic fall arrester with an **integrated winch** for ascending or descending during a potential rescue operation.
- Plastic housing casing made of a polyamide/ABS blend, UV-resistant, highly resistant to impact and aging.
- Equipped with an ESD energy absorber, traceability label and a fall indicator. That ensures that the user will not experience an impact of more than 600 daN even if the fall occurs when the cable or strap is fully extended.
- Allows horizontal use (for the version with galvanized cable).

The associated mounting brackets allow for installation on Tracpode and Tracpode Pro tripods, Davitrac davits, Davimast masts, as well as the Tracrod anchorage for easy winch handling.

Model	Length (m)	Description	Weight (kg)	Product Code
Blocfor 10R EVO - galvanized 150kg range - without bracket	10 m	Galvanised rope	11.5 kg	87742
Blocfor 20 R EVO ESD G	20 m	Galvanised rope	12.5 kg	87492
Blocfor 20 R EVO ESD I	20 m	Stainless steel rope	12.2 kg	87502

(Blocfor 20R EVO ESD I only suitable for vertical use)



Order products on day 1, will be shipped no later than day 2



Order products on day 1, will be shipped no later than day 3. Maximum quantities apply for this service.



Available on request. Please enquire about delivery times of these items.

Blocfor 30 R ESD

EN 360 - EN 1496-B



A 25mm anchorage

- Can accommodate large-diameter connectors.

Integrate winch

- Automatic fall protection device with integrated winch for ascending or descending during a possible rescue operation.

Casing

- Aluminium housing.
- Anti-UV, very resistant to shocks and ageing.

Shock-absorption system ESD

- With traceability label.
- Fall indicator.
- Ensures that the user will not be subjected to an impact of more than 600 daN even if the fall occurs when the cable is fully unwound.
- Enables horizontal use.
- Only available in galvanised rope.
- Length: 30 m

Model	Weight (kg)	Product Code
Blocfor 30R ESD G 150kg	17.2	75502



Order products on day 1, will be shipped no later than day 2



Order products on day 1, will be shipped no later than day 3. Maximum quantities apply for this service.



Available on request. Please enquire about delivery times of these items.

Stopfor fall arrest devices

Tractel offers a complete range of Stopfor. It is primarily split in two:

- Stopfor on stranded rope Ø14mm
- Stopfor on braided rope Ø11mm

The choice between the two kinds of product depends on the use of the Stopfor.

The braided rope is much lighter than stranded increasing the comfort of use with a long rope. While the Stopfor with the stranded rope can all be used horizontally (e.g. flat roof).

Inside each category, different versions are available depending on the application.

Stopfor on stranded rope			
Product	BF 150 kg	MSP 150 kg	SL 150 kg
150 kg	✓	✓	✓
Anti-reversibility	-	✓	✓
Pre-installed on rope	✓	-	-
Can be installed and removed at any point on the rope	-	✓	✓
Safety Park function	-	✓	-
Vertical use	✓	✓	✓
Horizontal use (e.g. on flat roof)	✓	✓	-

Stopfor on braided rope		
Product	KSP 150 kg	KSP 100 kg
150 kg	✓	-
Anti-reversibility	✓	✓
Pre-installed on rope	-	-
Can be installed and removed at any point on the rope	✓	✓
Safety Park function	✓	✓
Vertical use	✓	✓
Horizontal use (e.g. on flat roof)	-	✓

Fall Arresters - Stopfor 150 kg

Fall arresters on a flexible anchor line



Stopfor MSP - 150 kg

EN353-2 - PPE-R/11.075 - PPE-R/11.062

- Vertical & horizontal applications.
- Use on 14 mm diameter stranded rope.
- Anti-reversibility system : impossible to assemble upside down, enhanced security.
- With park function : locks manually on the rope for a hold at the station.
- Easy to use & to transport.
- Installs & removes at any point of the rope.
- Galvanised steel.

Model	Product Code
Stopfor MSP	207018



Stopfor BF

EN353-2 - PPE-R/11.075 - PPE-R/11.062

- Vertical & horizontal applications.
- Use on 14 mm diameter stranded rope.
- Product delivered already on the rope.
- Easy to use.
- Aluminium

Model	Length (m)	Product Code
Stopfor BF - rope 10m - strap + M41	10	79992
Stopfor BF - rope 15m - strap + M41	15	80002
Stopfor BF - rope 20m - strap + M41	20	80012
Stopfor BF - rope 30m - strap + M41	30	80072



Stopfor SL - 150 kg

EN353-2 - PPE-R/11.062

- Vertical applications.
- Use on 14 mm diameter stranded rope.
- Anti-reversibility system : impossible to assemble upside down, enhanced security.
- Installs & removes at any point of the rope.
- Stainless steel.

Model	Length (cm)	Product Code
Stopfor SL - strap + M10	30 cm	206918
Stopfor SL - strap + M41	30 cm	206958
Stopfor SL - strap + M11	30 cm	206928

Rope RLX

For Stopfor MSP / BF / SL

RLX rope anchor line \varnothing 14 mm.

Complies with EN 353-2 standard

- Type: stitched

RLX14 - stop end + M10

- Equipped with an M10 connector at the top and a plug at the bottom.

Model	Description	Product Code
RLX 14 5-10-B	5 metre / stitched / M10	45372
RLX 14 10-10-B	10 metre / stitched / M10	45092
RLX 14 15-10-B	15 metre / stitched / M10	45102
RLX 14 20-10-B	20 metre / stitched / M10	45112
RLX 14 30-10-B	30 metre / stitched / M10	45132
RLX 14 40-10-B	40 metre / stitched / M10	45142
RLX 14 50-10-B	50 metre / stitched / M10	45152



RLX14 - stop end + spliced buckle end

- Equipped with a spliced buckle at the top and a plug at the bottom.

Model	Description	Product Code
RLX14 10-A	10 metre	72692
RLX14 20-A	20 metre	81152



Fall Arresters - Stopfor KSP

Fall arresters on a flexible anchor line



Stopfor KSP - 150 kg

EN353-2 - PPE-R/11.062

- Vertical applications.
- Use on 10.5-12.5mm diameter braided rope.
- Lightweight & ergonomic.
- Anti-reversibility system : impossible to assemble upside down, enhanced security.
- With park function : locks manually on the rope for a hold at the station.
- Easy to use & to transport.
- Aluminium.

Model	Product Code
Stopfor KSP 150kg - M10	79062
Stopfor KSP 150 kg - M24	86172



Stopfor KSP - 100 kg

EN353-2 - PPE-R/11.075

- Vertical & horizontal applications.
- Use on 10.5 - 12.5 mm diameter braided rope.
- Lightweight & ergonomic.
- Anti-reversibility system : impossible to assemble upside down, enhanced security.
- With park function : locks manually on the rope for a hold at the station.
- Easy to use & to transport.
- Installs & removes at any point of the rope.
- Aluminium.

Model	Product Code
Stopfor KSP 100kg - M10	80022
Stopfor KSP 100kg - M11	86162
Stopfor KSP 100kg - strap + M41	79072

Braided rope RLXD

For Stopfor KSP

RLX D anchor line for the Stopfor fall arresters.

Complies to EN 353-2 standard

- Type: Braided rope anchor line \varnothing 11 mm



Stop end + M10 connector

Model	Description	Product Code
RLXD 11 5-10-A	5 metre / stitched / M10	37532
RLXD 11 10-10-A	10 metre / stitched / M10	37542
RLXD 11 15-10-A	15 metre / stitched / M10	37552
RLXD 11 20-10-A	20 metre / stitched / M10	35562
RLXD 11 30-10-A	30 metre / stitched / M10	37572
RLXD 11 40-10-A	40 metre / stitched / M10	37582
RLXD 11 50-10-A	50 metre / stitched / M10	37592
RLXD 11 60-10-A	60 metre / stitched / M10	44722
RLXD 11 70-10-A	70 metre / stitched / M10	51952

Stop end + spliced buckle end

Model	Description	Product Code
RLX D11 5-A	5 metre / stitched	17412
RLX D11 10-A	10 metre / stitched	14102
RLX D11 10-A	15 metre / stitched	17422
RLX D11 20-A	20 metre / stitched	14112
RLX D11 30-A	30 metre / stitched	14122
RLX D11 40-A	40 metre / stitched	14132
RLX D11 50-A	50 metre / stitched	14142
RLX D11 60-A	60 metre / stitched	17492

Stop end + M41

Model	Description	Product Code
RLXD 11 5-41-A	5 metre / stitched / M41	17002
RLXD 11 10-41-A	10 metre / stitched / M41	17012
RLXD 11 15-41-A	15 metre / stitched / M41	17022
RLXD 11 20-41-A	20 metre / stitched / M41	17032
RLXD 11 30-41-A	30 metre / stitched / M41	17052
RLXD 11 40-41-A	40 metre / stitched / M41	17062
RLXD 11 50-41-A	50 metre / stitched / M41	17072

Absorbing and standard lanyards

Tractel offers a complete range of 150 kg lanyards. The choice depends on the activity the user has to perform, one is not excluding another. It will often happen that the user might need more than one lanyard. It is primarily split in three:

Fall arrest lanyard EN 355

Restraint lanyard EN 354

Work positioning lanyard EN 358

Fall arrest lanyards

Designed to be used in a fall arrest system, they are equipped with a shock absorber to ensure that in the event of fall, the maximum force transmitted to the user is less than 600daN. They must be used in combination with a certified safety harness and an anchor point or system. A fall arrest lanyard has the advantage to be lighter than other fall arrester.

Tractel offers **3 types of material** for its fall arrest lanyard:

- Webbing
- Braided rope
- Elastic webbing

The webbing material will be preferred for short term or occasional use, as the braided rope and the elastic webbing will be preferred for frequent and long use.

Fall arrest lanyards exist in **2 configurations**:

- Single lanyard
- Twin lanyard

The twin lanyard is designed to allow the user to move between anchor points ensuring that he is always secured. The single lanyard can be used with lifeline where there is no need to disconnect to cross anchors.



Restreint lanyards

When the lanyard is used between the harness and the anchorage point without a fall arrest system, the lanyard is intended to prevent the operator from accessing a fall hazard zone. The double lanyard version must be used in the same way, but allows movement along a fixed line while permanently connected.

RESTRAINT LANYARDS ARE NOT TO BE USED AS FALL-ARRESTERS

Work positioning lanyards

Work positioning lanyards: Designed to support the user comfortably when a hands free environment is needed. It must be connected by its two ends to the two points of attachment on either side of the belt or on the two chest anchorage points on the harness.

Tractel offers **2 types of work positioning lanyard**:

- With adjustment loop (LDR)
- With jaw tensioning device (LCM)

The first one is intended for short-term interventions and for restricted mobility. While the second one is intended for regular intervention and allows for an easy adjustment of the length of the lanyard.

The LCM03 is protected against from tools such as chainsaw or grinder.

The LCM05 with its braided offers a lighter alternative to the stranded rope of the LCM06.

The work positioning lanyard is exiting in **3 different materials**:



Stranded rope (LCM06)



Braided rope (LCM05)



Braided rope reinforced with a steel core (LCM03)

WORK POSITIONING LANYARDS ARE NOT TO BE USED AS FALL-ARRESTERS.

LDA 150kg

Absorbing lanyards

EN355 - PPE-R/11.074 - PPE-R/11.062

Braided rope lanyard 12,5 mm, made of polyamide fibers 6.6 te,x with shock absorber.


Lanyard with energy absorber provides a connecting element between a fixed or mobile anchor points and the attachment point on the harness.


The energy absorber safely arrests a fall from a height. Without the shock absorber, a free fall of more than 50 cm can cause serious injury.


Model	Length (m)	Product Code
LDA 1-M10-M10	1	77502
LDA 1-M10-M53	1	81962
LDA 1-11-53	1	84192
LDA 1.5-BB	1.5	77512
LDA 1.5-M10-M10	1.5	77532
LDA 1.5-M10-M51	1.5	77562
LDA 1.5-M11-M51	1.5	82142
LDA 1.5-M10-M53	1.5	77572
LDA 1.5-M41-M51	1.5	77642
LDA 1,5-11-53	1.5	84202
LDA 2-BB	2	77692
LDA 2-M10-M10	2	77712
LDA 2-M10-M53	2	77752
LDA 2-M10-M51	2	77742
LDA 2-M12-M51	2	77782
LDA 2-M41-M51	2	77822
LDA 2-11-53	2	84212

More details regarding connectors page 218



 Order products on day 1, will be shipped no later than day 2

 Order products on day 1, will be shipped no later than day 3. Maximum quantities apply for this service.

 Available on request. Please enquire about delivery times of these items.

LDAD 150kg

Absorbing lanyards



EN355 - PPE-R/11.074 - PPE-R/11.062


Twin braided rope lanyard 12,5 mm, made of polyamide fibers 6.6 te,x with shock absorber.


Double lanyard with energy absorber provides a connecting element between a fixed or mobile anchor points and the attachment point on the harness. It is an ideal fall protection so that the operator is never disconnected.




Model	Length (m)	Product Code
LDAD 1-M10-M51-M51	1	77862
LDAD 1-M11-M53-M53	1	84452
LDAD 1-M10-M53-M53	1	77872
LDAD 1.5 BBB	1.5	77902
LDAD 1.5-M10-M10-M10	1.5	77942
LDAD 1.5-M11-M53-M53	1.5	78022
LDAD 1.5-M10-M53-M53	1.5	77992
LDAD 1.5-M10-M51-M51	1.5	77982
LDAD 1.5-M11-M51-M51	1.5	78012
LDAD 1.5-M12-M51-M51	1.5	78052
LDAD 1.5-M41-M51-M51	1.5	78102
LDAD 2 BBB	2	78122
LDAD 2-M10-M10-M10	2	78132
LDAD 2-M10-M53-M53	2	78172
LDAD 2-M11-M53-M53	2	82162
LDAD 2-M10-M51-M51	2	78162
LDAD 2-M11-M51-M51	2	82152

More details regarding connectors page 218

 Order products on day 1, will be shipped no later than day 2

 Order products on day 1, will be shipped no later than day 3. Maximum quantities apply for this service.

 Available on request. Please enquire about delivery times of these items.

LSA 150kg

Absorbing lanyards

EN355 - PPE-R/11.074 - PPE-R/11.062

Single webbing fall arrest lanyard 30mm made of polyester fibers 6.6tex, with an energy absorber.

Webbing lanyard with energy absorber provides a connecting element between a fixed or mobile anchor points and the attachment point on the harness.

The energy absorber safely arrests a fall from a height. Without the shock absorber, a free fall of more than 50 cm can cause serious injury.

Model	Length (m)	Product Code
LSA 1.5-CC	1.5	75172
LSA 1.5-10-10	1.5	75182
LSA 1.5-10-11	1.5	75192
LSA 1.5-10-51	1.5	75212
LSA 1.5-10-53	1.5	75232
LSA 2-CC	2	75312
LSA 2-10-10	2	75322
LSA 2-10-41	2	75342
LSA 2-10-51	2	75352
LSA 2-10-53	2	75362

More details regarding connectors page 218



Order products on day 1, will be shipped no later than day 2



Order products on day 1, will be shipped no later than day 3. Maximum quantities apply for this service.



Available on request. Please enquire about delivery times of these items.

LSAD 150kg

Absorbing lanyards



EN355 - PPE-R/11.074 - PPE-R/11.062


Twin webbing fall arrest lanyard 30mm made of polyester fibers 6.6tex, with an energy absorber.


Double lanyard with energy absorber provides a connecting element between a fixed or mobile anchor points and the attachment point on the harness. It is an ideal fall protection so that the operator is never disconnected.


Model	Length (m)	Product Code
LSAD 1.5-10-10-10	1.5	74992
LSAD 1.5-10-51-51	1.5	75022
LSAD 1.5-10-53-53	1.5	75032
LSAD 2-10-10-10	2	75102
LSAD 2-10-51-51	2	75132
LSAD 2-10-53-53	2	75142

More details regarding connectors page 218



 Order products on day 1, will be shipped no later than day 2

 Order products on day 1, will be shipped no later than day 3. Maximum quantities apply for this service.

 Available on request. Please enquire about delivery times of these items.

LSEA 150kg

Absorbing lanyards

EN355 - PPE-R/11.074 - PPE-R/11.062

Strap Elastic lanyard 35 mm with energy absorber.

The elastic lanyards LSEA are lanyards formed by a strap made of rigid polyester fiber woven on an elastic fiber core.

This elastic fiber has elongation properties which allow the lanyard to stretch by one-third of its contracted length.

The outer strap made of polyester fibers woven on the elastic fiber core gives the elastic lanyards excellent resistance to abrasion and cutting when it comes into contact with a sharp edge, including in the event of a fall.

With respect to standard lanyards, the elastic lanyards LSEA provide the advantage of being more compact and therefore more comfortable in use. With respect to the elastic lanyards currently on the market, formed by a tubular strap with an elastic material inside the lanyard, the Tractel elastic lanyards LSEA provide a much higher degree of resistance to ageing (the strap keeps its elasticity much longer) and has a much more attractive design.

Model	Length (m)	Product Code
LSEA 1.5-10-10	1.5	79202
LSEA 1.5-10-53	1.5	79262
LSEA 1.5-10-51	1.5	79242
LSEA 1.5-41-53	1.5	79302
LSEA 1.5-41-51	1.5	79282
LSEA 1.8-10-10	1.8	79212
LSEA 1.8-10-53	1.8	79272
LSEA 1.8-10-51	1.8	79252
LSEA 1.8-41-51	1.8	79292

More details regarding connectors page 218



Order products on day 1, will be shipped no later than day 2



Order products on day 1, will be shipped no later than day 3. Maximum quantities apply for this service.



Available on request. Please enquire about delivery times of these items.

LDR

Work positioning lanyards



EN358 - CNB/P/11.062

Adjustable lanyard LDR \varnothing 11mm provides a connecting element between a fixed or mobile anchor points and the attachment point on the harness.

This lanyard is a work positioning lanyard.

The LDR lanyard is formed by a stranded rope \varnothing 11mm made of rigid polyamide fibers, against the abrasion and the cut.

This lanyard is not a fall arrest.

Model	Length (m)	Product Code
LDR 11 1,5-B	1.5 m	78222
LDR 11 / 1,5 / 10-10	1.5 m	78232
LDR 11 / 1,5 / 10-11	1.5 m	78242
LDR 11 / 1,5 / 41-10	1.5 m	78272
LDR 11 / 1,5 / 41-10	1.5 m	78262
LDR 11 / 1,5 / 10-51	1.5 m	78252
LDR 11 / 2 / B	2 m	78332
LDR 11 / 2 / 10-10	2 m	78362
LDR 11 / 2 / 10-11	2 m	78372
LDR 11 / 2 / 10-41	2 m	78402
LDR 11 / 2 / 10-53	2 m	78432
LDR 11 / 2 / 10-51	2 m	78422

More details regarding connectors page 214

Order products on day 1, will be shipped no later than day 2.

Order products on day 1, will be shipped no later than day 6. Maximum quantities apply for this service.

Available on request. Please enquire about delivery times of these items.

LCM03

Work positioning lanyards

EN358 - PPE-R/11.062

The work positioning lanyard LCM03 is a manually adjusted tensioner-reducer. This device works on a low-stretch rope with soul in steel diameter of 12.5 mm.

The LCM03 is compact and ergonomic and perfectly suited for work positioning.

The lanyard LCM03 is equipped with a compact, ergonomic tensioner-reducer. The device is made of high-strength aluminium. The tensioner-reducer LCM03 slide along the rope . In the event of a fall or loss of balance, the tensioner automatically locks.

The lanyard is formed by a braided rope reinforced with steel wire core, external diameter of 12.5 mm and length of 2m, 3m or 4m, equipped with a connector M10 on the tensioner and a connector M40 on the end of the rope

This lanyard is not a fall arrest.

Model	Length (m)	Product Code
LCM 03 - M42 M10T - 2 m	2 m	85292
LCM 03 - M42 M10T - 3 m	3 m	85302
LCM 03 - M42 M10T - 4 m	4 m	85312
Sleeve	-	18192

More details regarding connectors page 214



Order products on day 1, will be shipped no later than day 2



Order products on day 1, will be shipped no later than day 3. Maximum quantities apply for this service.



Available on request. Please enquire about delivery times of these items.

LCM05 / LCM06

Work positioning lanyards



Adjustable Lanyard - LCM05

EN358 - PPE-R/11.062

The work positioning lanyard LCM05 is a manually adjusted tensioner-reducer. This device works on a low-stretch braided rope in polyamide diameter of 12.5 mm.

The LCM05 is compact and ergonomic and perfectly suited for work positioning.

The LCM05 is equipped with a compact, ergonomic tensioner-reducer. The device is made of high-strength aluminium. The tensioner-reducer LCM05 slide along the rope. In the event of a fall or loss of balance, the tensioner automatically locks.

The unit is supplied with braided rope diameter of 12.5 mm and length of 2m, 3m or 4m, equipped with a connector M10 on the tensioner and a connector M40 on the end of the rope

This lanyard is not a fall arrest.

Model	Length (m)	Product Code
LCM 05	2 m	79122
LCM 05	3 m	79132
LCM 05	4 m	79142
Sleeve	-	18192

More details regarding connectors page 214



Adjustable Lanyard - LCM06

EN358 - PPE-R/11.062

The work positioning lanyard LCM06 is a manually adjusted tensioner-reducer. This device works on a low-stretch stranded rope in polyamide diameter of 14 mm.

The LCM06 is compact and ergonomic and perfectly suited for work positioning.

The LCM06 is equipped with a compact, ergonomic tensioner-reducer. The device is made of high-strength aluminium. The tensioner-reducer LCM06 slide along the rope. In the event of a fall or loss of balance, the tensioner automatically locks.

The unit is supplied with stranded rope diameter of 14 mm and length of 2m, 3m or 4m, equipped with a connector M10 on the tensioner and a connector M40 on the end of the rope

This lanyard is not a fall arrest.

Model	Length (m)	Product Code
LCM 06	2 m	79152
LCM 06	3 m	79162
LCM 06	4 m	79172
Sleeve	-	18192

More details regarding connectors page 214

LD 11 - Braided Rope Lanyard

Restraint lanyards

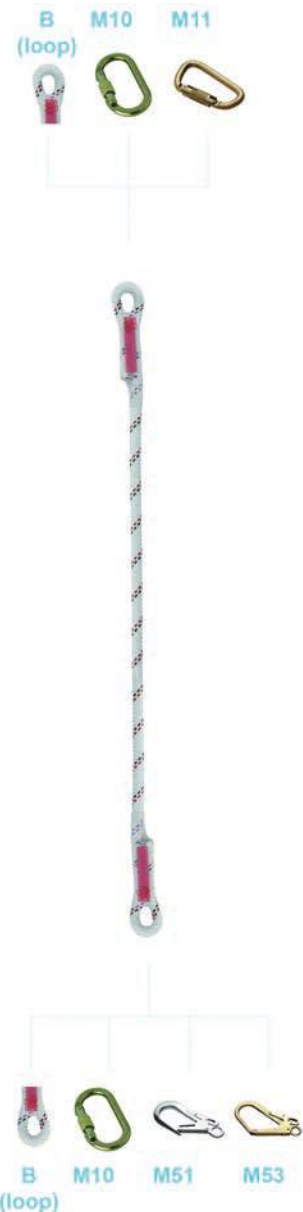
EN354 - PPE-R/11.062

Braided Rope Lanyard \varnothing 11mm made of polyamide of 6.6 tex with extremity uckled and stitched.


Lanyard LD provides a connecting element between a fixed or mobile anchor points and the attachment point on the harness.


Model	Length (m)	Product Code
LD 1-BB	1 m	33692
LD 1-10-10	1 m	37762
LD 1-10-51	1 m	40202
LD 1-10-53	1 m	40422
LD 1-11-53	1 m	83952
LD 1.5-BB	1.5 m	37752
LD 1.5-10-10	1.5 m	37772
LD 1.5-10-51	1.5 m	40212
LD 1.5-10-53	1.5 m	40432
LD 1.5-11-53	1.5 m	83962
LD 2-BB	2 m	33702
LD 2-10-10	2 m	37782
LD 2-10-51	2 m	40222
LD 2-10-53	2 m	40442
LD 2-11-53	2 m	83972


More details regarding connectors page 214



Versions with M11 connectors : no risk for the operator to forgot to screw in his connector, increased safety.

 Order products on day 1, will be shipped no later than day 2,

 Order products on day 1, will be shipped no later than day 6. Maximum quantities apply for this service.

 Available on request. Please enquire about delivery times of these items.

LDF 11 - Braided Rope Lanyard

Restraint lanyards



EN354 - PPE-R/11.062

Double braided Rope Lanyard \varnothing 11mm made of polyamide of 6.6 tex with extremity uckled and stitched.


Double lanyard LDF provides a connecting element between a fixed or mobile anchor points and the attachment point on the harness.


Model	Length (m)	Product Code
LDF 0.5/1-BCC	0.5 m	37962
LDF 1 - BBB	1 m	37842
LDF 1-10-10-10	1 m	40232
LDF 1-10-53-53	1 m	40392
LDF 1-11-53-53	1 m	84222
LDF 1-10-51-51	1 m	37932
LDF 1.5-BBB	1.5 m	37852
LDF 1.5-10-10-10	1.5 m	40242
LDF 1.5-11-53-53	1.5 m	84232
LDF 1.5-10-53-53	1.5 m	40402
LDF 1.5-10-51-51	1.5 m	37942
LDF 2-BBB	2 m	37862
LDF 2-10-10-10	2 m	40252
LDF 2-10-53-53	2 m	40412
LDF 2-11-53-53	2 m	84242
LDF 2-10-51-51	2 m	37952


More details regarding connectors page 214



Versions with M11 connectors : no risk for the operator to forgot to screw in his connector, increased safety.

 Order products on day 1, will be shipped no later than day 2,

 Order products on day 1, will be shipped no later than day 6. Maximum quantities apply for this service.

 Available on request. Please enquire about delivery times of these items.

LS - Webbing lanyard

Restraint lanyards

EN354 - PPE-R/11.062

Single webbing lanyard, 30 mm-wide strap made of polyester, without shock absorber.

The LS lanyard provides a connecting element between a fixed or mobile anchor points and the attachment point on the harness.

Model	Length (m)	Product Code
LS 1-BB - loops	1 m	10932
LS 1-M10-M10	1 m	12692
LS 1.5-BB - loops	1.5 m	10952
LS 1.5-M10-M10	1.5 m	12712
LS 1.5-M10-M51	1.5 m	35082
LS 2-BB - loops	2 m	10972
LS 2-M10-M10	2 m	12012

More details regarding connectors page 214



Order products on day 1, will be shipped no later than day 2,

Order products on day 1, will be shipped no later than day 6. Maximum quantities apply for this service.

Available on request. Please enquire about delivery times of these items.

LSE - Elastic Webbing Lanyards

Restraint lanyards



EN354 - PPE-R/11.062

Strap elastic webbing lanyard 30 mm, without shock absorber.

The elastic lanyards LSE are lanyards formed by a strap made of rigid polyester fiber woven on an elastic fiber core.

This elastic fiber has elongation properties which allow the lanyard to stretch by one-third of its contracted length.

The outer strap made of polyester fibers woven on the elastic fiber core gives the elastic lanyards LSE excellent resistance to abrasion and cutting when it comes into contact with a sharp edge,.

With respect to standard lanyards, the elastic lanyards LSE provide the advantage of being more compact and therefore more comfortable in use.

With respect to the elastic lanyards currently on the market, formed by a tubular strap with an elastic material inside the lanyard, the Tractel® elastic lanyards LSE provide a much higher degree of resistance to ageing (the strap keeps its elasticity much longer) and has a much more attractive design.

Model	Length (m)	Product Code
LSE 1.5-b-b	1.5 m	54092
LSE 1.5-10-10	1.5 m	54132
LSE 1.5-10-41	1.5 m	54172
LSE 1.5-10-51	1.5 m	54212
LSE 1.5-10-53	1.5 m	54252
LSE 1.75-10-53	1.75 m	54262
LSE 2-b-b	2 m	54112
LSE 2-10-10	2 m	54152
LSE 2-10-51	2 m	54232

More details regarding connectors page 214

Order products on day 1, will be shipped no later than day 2,

Order products on day 1, will be shipped no later than day 6. Maximum quantities apply for this service.

Available on request. Please enquire about delivery times of these items.

Safety connectors

Steel Connectors

EN362



Model	Description	Anchorage Hook Gate Opening	Weight (kg)	Product Code
M10	Manual screw locking	ø 18 mm	0.165 kg	31652
M10T	Manual screw locking	ø 18 mm	0,153 kg	76312
M11	semi-automatic locking - 17 mm opening	ø 22 mm	0.216 kg	31662
M23T	Automatic locking triple safety	ø 17 mm	0.183 kg	59002
M24T	Automatic locking double safety	ø 19 mm	0,183 kg	78742
M41	Double trigger automatic locking	ø 18 mm	0.267 kg	31722
M47	Double trigger automatic locking	ø 18 mm	0.220 kg	33032
M53	Double trigger automatic locking	ø 59 mm	0.510 kg	31772
M60	Semi-automatic locking	ø 50 mm	0.404 kg	32482
M61	Manual screw lock	ø 50 mm	0,404 kg	33082
MR9	Manual screw locking	ø 11 mm	0,144 kg	39822

Stainless Steel Connectors

EN362



Model	Description	Anchorage Hook Gate Opening	Weight (kg)	Product Code
M31	Automatic locking by spring cover	ø 80 mm	0.310 kg	10432
M32	Automatic locking by spring cover	ø 120 mm	0.360 kg	10442
M33	Automatic locking by spring cover	ø 150 mm	0.400 kg	10452
M10 I	Manual screw locking	ø 18 mm	0,162 kg	44202



Order products on day 1, will be shipped no later than day 2,



Order products on day 1, will be shipped no later than day 6. Maximum quantities apply for this service.



Available on request. Please enquire about delivery times of these items.


Safety connectors


Aluminium Connectors


EN362



Model	Description	Anchorage Hook Gate Opening	Weight (kg)	Product Code
M12	Manual screw locking	Ø 23 mm	0.085 kg	31672
M15	Semi-automatic locking	Ø 23 mm	0.091 kg	31692
M22	Triple safety lock	Ø 23 mm	0.093 kg	56222
M42	Double trigger automatic locking	Ø 21 mm	0.160 kg	31732
M51	Double trigger automatic locking	Ø 63 mm	0.480 kg	31752
M52	Sliding lock	Ø 60 mm	0.254 kg	31762
M54	Double trigger automatic locking	Ø 110 mm	0.910 kg	32462

 Order products on day 1, will be shipped no later than day 2,

 Order products on day 1, will be shipped no later than day 6. Maximum quantities apply for this service.

 Available on request. Please enquire about delivery times of these items.

Steel Connectors

EN 362



M10

- Permanent connection
- High capacity range 150kg
- Manual screw locking
- Carbon steel yellow zinc
- Opening \varnothing 15 mm



M10T

- Permanent connections.
- High capacity range 150kg
- Manual screw locking
- Carbon steel yellow zinc
- Opening \varnothing 18 mm

Model with captive pin. The pin is supplied separately and needs to be fitted by the user. Once fitted, the components cannot be disassembled.



M11

- Frequent connection
- High capacity range 150kg
- Twist lock
- Carbon steel yellow zinc
- Opening \varnothing 17 mm



M23T

- Frequent connection
- High capacity range 150kg
- Triple safety lock
- Carbon steel yellow zinc
- Opening \varnothing 17 mm

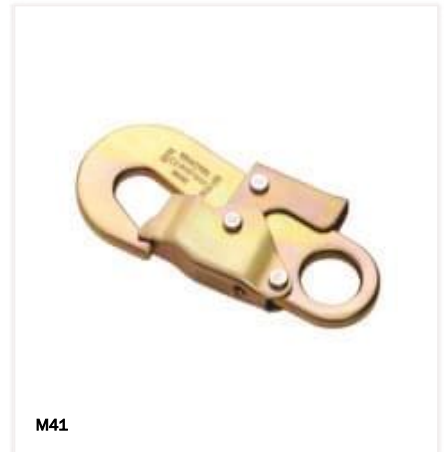
Model with captive pin. The pin is supplied separately and needs to be fitted by the user. Once fitted, the components cannot be disassembled.



M24T

- Frequent connections.
- High capacity range 150kg
- Double safety lock
- Carbon steel yellow zinc
- Opening \varnothing 19 mm

Model with captive pin. The pin is supplied separately and needs to be fitted by the user. Once fitted, the components cannot be disassembled.

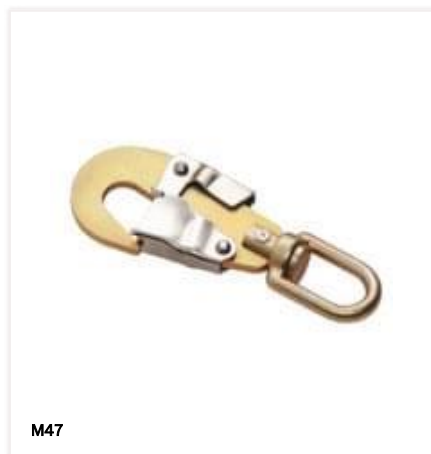


M41

- Frequent connection
- High capacity range 150kg
- Double safety lock
- Carbon steel yellow zinc
- Opening \varnothing 18 mm

Steel Connectors / Stainless Steel Connectors

EN 362



M47

- Frequent connection
- High capacity range 150kg
- Double lock
- Twist
- Carbon steel yellow zinc
- **Without fall indicator**
- Opening \varnothing 17 mm



M53

- Frequent connection on structures
- High capacity range 150kg
- Double safety lock
- Carbon steel yellow zinc
- Opening \varnothing 53 mm



M60

- Frequent connection
- High capacity range 150kg
- Twist lock
- Carbon steel yellow zinc
- Opening \varnothing 47 mm



M61

- Permanent connection
- High capacity range 150kg
- Manual screw locking
- Carbon steel yellow zinc
- Opening \varnothing 47 mm

Model with captive pin. The pin is supplied separately and needs to be fitted by the user. Once fitted, the components cannot be disassembled.



MR9

- Permanent connection
- High capacity range 150kg
- Manual screw locking
- Stainless steel 316l
- Opening \varnothing 11 mm

Stainless Steel Connectors

EN 362



M31

- Frequent connection on tubular framework
- High capacity range 150kg
- Double safety lock
- Stainless steel
- Opening 75 mm



M32

- Frequent connection on tubular framework
- High capacity range 150kg
- Double safety lock
- Stainless steel
- Opening 100 mm



M33

- Frequent connection on tubular framework
- High capacity range 150kg
- Double safety lock
- Stainless steel
- Opening 140 mm



- Permanent connection
- High capacity range 150kg
- Manual screw locking
- Body : Stainless steel
- Opening 17 mm

Aluminium Connectors

EN 362



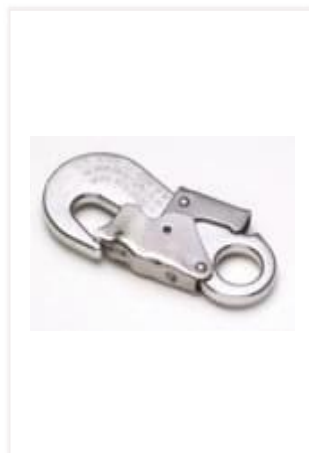
Permanent connections. High capacity range 150kg

- Manual screw locking
- Can be set up by user on a lanyard
- Aluminium
- Opening 17mm

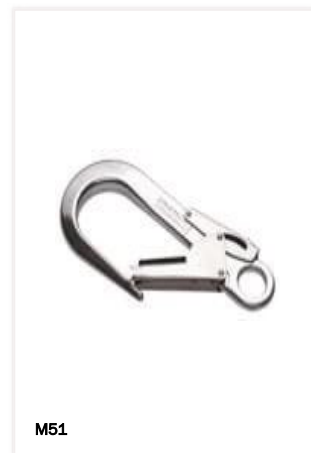


- Frequent connection
- Triple safety lock
- Aluminium
- Opening \varnothing 23 mm

Model with captive pin. The pin is supplied separately and must be fitted by the user. Once fitted, the components cannot be removed.



- Frequent connection
- Double security lock
- Aluminium
- Opening diameter 21 mm



M51

- Frequent connections.
- High capacity range 150kg
- Opening 50mm
- Double trigger automatic locking
- Aluminium



- Frequent connection
- Sliding ring lock
- Aluminium
- Opening \varnothing 60 mm



M54

- Frequent connections.
- High capacity range 150kg
- Double trigger automatic locking
- Aluminium
- Opening 110mm



- Frequent connection
- Double security lock
- Aluminium
- Opening diameter 23 mm

Anchor points

Applicable standards : EN 795: An anchor point is a point to which the fall-arrest system can be attached reliably so as to guarantee the safety of the operator.

Before selecting an anchor point, it is essential to determine where it will be installed. The strength of the structure supporting the anchor point must be considered.

EN 795 Type A

Anchor devices which require one or more structural anchors to be secured.

- PAS
- PA anchor
- ringsafe
- PO



- ringflex
- Roof anchor
- Anchor posts



EN 795 Type B

Temporary and transportable anchor devices.

- AS19S
- AS19S GA
- AS30S
- corso



- rollbeam
- rollclamp
- ballsafe
- Door anchor



EN 795 Type C

Anchor devices using a flexible horizontal anchor line.

- tempo 2
- tempo 3
- tirsafe™



- travsafe™
- travflex™ 2
- travsmart
- travspring™
- travspring™ One



EN 795 Type D

Anchor devices using a rigid horizontal anchor line.

- travrail



EN 795 Type E

Deadweight anchor devices.

- mobifor



Anchor points

Type A anchor: fixed anchors



Anchor - PA

EN795-A - CEN/TS16415 for use by two people



Tested to stop the fall of 2 users, 150kg

Tested to stop the fall of two operators weighing 150kg each (including the weight of their equipment)

- Aluminium anchor point
- Secured with M12 screw at 100mm intervals
- Includes traceability label

Model	Product Code
PA Aluminium	64488
PA Black	64448
PA Grey	64458
PA Red	64438
PA Yellow	64468

Anchor - PO

EN795-A - CEN/TS16415 for use by two people



Tested to stop the fall of 2 users, 150kg

Tested to stop the fall of two operators weighing 150kg each (including the weight of their equipment)

- Stainless steel.
- Includes traceability label.

Model	Product Code
PO Anchor	196428

Anchor - Ringsafe

EN795-A



Tested to stop the fall of 1 user, 150kg

Tested to stop the fall of one operator weighing 150kg (including the weight of his equipment)

- Includes fall indicator.
- Stainless steel.

Model	Product Code
Ringsafe Anchor	76299

Anchor - PAS

EN795-A



Tested to stop the fall of 1 user, 150kg

Tested to stop the fall of one operator weighing 150kg (including the weight of his equipment)

- Stainless steel.

Model	Product Code
PAS Anchor	196418

Anchor points

Type A anchor: fixed anchors

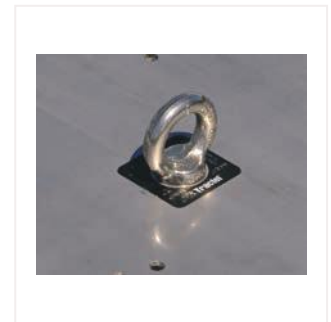
Anchor - Ringflex

EN795-A - CEN/TS16415 for use by two people

The anchor Ringflex delivers permanent anchoring solutions for light structure roofs including corrugated tray steel or aluminium, dry tray, and rolled tray configurations requiring reliable fall protection systems. This rotating anchor point supports two users weighing up to 150 kg, providing essential connection points for fall arrest equipment. The rotating ring design enables 360-degree freedom of movement whilst maintaining secure structural attachment across diverse light roof applications.

Featuring stainless steel or galvanised steel construction with 15 kN minimum resistance, the system incorporates roof-specific anchor plates with neoprene seals and silicon rivets for weatherproof installation. Available configurations include standard plates for 125 mm corrugations and universal plates covering 200-350 mm ranges for standing seam or corrugated applications.

Industrial applications include manufacturing facilities, warehouses, and commercial buildings with light structure roofing requiring permanent fall protection access points. The system accommodates corrugated steel, aluminium, dry tray, and rolled tray roof types with dedicated mounting solutions for optimal structural integration. Essential for facilities requiring reliable roof anchor points with operational flexibility, comprehensive weather sealing, and regulatory compliance across diverse light structure roof configurations with minimal structural impact.



Tested to stop the fall of 2 users, 150kg

NB : The ringflex is sold without an anchor plate.

*For using universal plate, you have to order 4 clamps or 12 rivets.

Model	Product Code
Ringflex anchor ring single item	193858
Universal plate for extremity and intermediate bracket in galvanised steel (thickness 3mm)	207788
Universal plate for extremity and intermediate bracket in stainless steel (thickness 3mm)	206888
Kit 4 clamps + 1 bolt M16	232577
Kit 12 rivets + rubber sealing bands + 1 bolt M16	232587



Anchor points

Type A anchor: fixed anchors



Tested to stop the fall of
1 user, 100 kg

Anchor - Roof Permanent Anchor


EN795-A


Tractel roof anchor points are designed to support a ladder and attached fall prevention devices.


They are secured directly into wooden roof trusses using annealed crampons or spikes.

- Materials: Galvanised or stainless steel.

Model	Product Code
galvanized, flat	66618
galvanized, curved	66628
galvanized, twisted	66638
spike 50 mm	66928
spike 90 mm	66938
spike 130 mm	66948
galvanized, annealed tips	66958

 Order products on day 1, will be shipped no later than day 2,

 Order products on day 1, will be shipped no later than day 6. Maximum quantities apply for this service.

 Available on request. Please enquire about delivery times of these items.

dynaline - dynaplug

Measuring Devices for Fixed Anchors

Dynaline HF 45

Adapted for lifeline

Specific model, based on HF37 technology, adapted to measure precisely tension in lifelines.

- Quick direct mounting on the wire or rope thanks to modified fixing hooks
- Capacity range from 50 to 600 kg
- Specific lifeline wire rope database
- 3% accuracy of measuring range, if wire rope and diameter included in the database
- Compatible with diameters from 8 to 12 mm
- LCD display directly on the sensor
- Possibility to add a wire or rope in the database

Model	W.L.L	Rope Diameter	Product Code
Kit Dynaline HF45/1/LPT	50 - 600	8 - 12	187998
Specific wire rope calibration	-	-	111347



Dynaplug HF 44

Electronic anchor tester

The Dynaplug anchor tester is an electronic load cell designed to measure anchor strength in construction material. Its shape as a tripod has been especially designed to minimize its influence on the concrete around the fixing.

- Stand-alone anchor tester
- Capacity range from 1 500 to 5000 daN
- 0.5% accuracy of measuring range
- Height of legs adjustable between 70 and 190 mm
- Multiple accessories provided with the tester
- LCD display integrated on the device
- Data saving and possibility to monitor the tension on a PC in option

Model	W.L.L	Product Code
Kit Dynaplug HF44/1/LPT	1500	190028
Kit Dynaplug HF44/2/LPT	2500	190038
Kit Dynaplug HF44/3/LPT	5000	190048



Anchor Tester TA

Anchor testers TA are test specimens endowed with a breaking section calibrated to break under a determined traction force. The anchor tester must be installed between the anchor point to be tested and the loading

device by means of shackles or any other adequate mechanical connection.

- Quick and reliable test
- Unique usage
- Capacity range from 600 to 4000 daN
- Breaking tolerance $\pm 10\%$

Model	Breaking load (daN)	Product Code
TA 600 - 20 plates	600	193269
TA 1000 - 20 plates	1 000	261769
TA 1200 - 20 plates	1 200	261779
TA 1500 - 20 plates	1 500	193279
TA 2000 - 20 plates	2 000	193289
TA 2500 - 20 plates	2 500	299859
TA 3000 - 20 plates	3 000	299869
	4 000	193299




Posts

Galvanised anchor posts

EN795-A

- Anchor posts fitted with a stainless steel anchor ring.
- 70x70 mm cross-section, made of galvanised steel.

-  Tested to stop the fall of 1 user, 100 kg



Square base



Square base plate 20° inclined



Rectangular base



Base plate for roof ridges

Height: 250mm

Model	Product Code
Anchor post with a square base plate 270 x 270 mm.	72178
Anchor post with a square base plate 270 x 270 mm, 20° inclined.	72318
Anchor post with a rectangular base plate 352 x 160 mm.	72038
Anchor post with a base plate for roof ridges 350 x 370 mm.	72048

Height: 500mm

Model	Product Code
Anchor post with a square base plate 270 x 270 mm.	66968
Anchor post with a square base plate 270 x 270 mm, 20° inclined	72328
Anchor post with a rectangular base plate 352 x 160 mm.	72058
Anchor post with a base plate for roof ridges 350 x 370 mm.	72068

Height: 750mm

Model	Product Code
Anchor post with a square base plate 270 x 270 mm.	72338
Anchor post with a rectangular base plate 352 x 160 mm.	72348



Order products on day 1, will be shipped no later than day 2,



Order products on day 1, will be shipped no later than day 6. Maximum quantities apply for this service.



Available on request. Please enquire about delivery times of these items.

Posts

Insulated anchor posts

EN795-A

Insulated anchor posts with a stainless steel anchor ring. 70x70 mm cross-section, made of galvanised steel, with thermal protection. They are designed to eliminate the risk of condensation in winter when the outside temperature drops below 0° C. They also help to keep your roof insulation to its optimal efficiency, reduce heat energy waste and protect the post thanks the external cover in stainless steel.



Tested to stop the fall of 1 user, 100 kg



Square base



Square base plate 20° inclined



Rectangular base



Base plate for roof ridges

Height: 250mm

Model	Product Code
Anchor post with a square base plate 270 x 270 mm.	186548
Anchor post with a square base plate 270 x 270 mm, 20° inclined.	186558
Anchor post with a rectangular base plate 352 x 160 mm.	186568
Anchor post with a base plate for roof ridges 350 x 370 mm.	186578

Height: 500mm

Model	Product Code
Anchor post with a square base plate 270 x 270 mm.	186588
Anchor post with a square base plate 270 x 270 mm, 20° inclined.	186598
Anchor post with a rectangular base plate 352 x 160 mm.	186608
Anchor post with a base plate for roof ridges 350 x 370 mm.	186618

Height: 750mm

Model	Product Code
Anchor post with a square base plate 270 x 270 mm.	186628
Anchor post with a rectangular base plate 352 x 160 mm.	186638

Accessories


Model	Product Code
Sealing collar for post section 70 x 70 mm	129505
Back plate in galvanized steel ep. 10 mm for post 70 x 70mm height 250 and 500 mm square plate 270 x 270 mm	130995
Back plate in galvanized steel ep. 10 mm for post 70 x 70 mm height 750 mm square plate 270 x 270 mm	133295

Posts

Stainless steel anchor posts

EN795-A

- Anchor posts with a stainless steel anchor ring, 80x80 mm cross-section
- Made of stainless steel.

-  Tested to stop the fall of 1 user, 100 kg



Square base



Rectangular base



Base plate for roof ridges

Height: 250mm

Model	Product Code
Anchor post with a square base plate 270 x 270 mm.	186748
Anchor post with a rectangular base plate 352 x 160 mm.	186758
Anchor post with a base plate for roof ridges 350 x 370 mm.	186768

Height: 500mm

Model	Product Code
Anchor post with a square base plate 270 x 270 mm.	186778
Anchor post with a rectangular base plate 352 x 160 mm.	186788
Anchor post with a base plate for roof ridges 350 x 370 mm.	186798



Order products on day 1, will be shipped no later than day 2,



Order products on day 1, will be shipped no later than day 6. Maximum quantities apply for this service.



Available on request. Please enquire about delivery times of these items.

Anchor points

Type B anchor: mobile anchors

Anchor AS19S

EN795-B

- To create an anchor point on a frame.
- Width 19 mm.

Model	Product Code
AS19S - 0.6 m	38382
AS19S - 0.8 m	38392
AS19S - 1.0 m	38402
AS19S - 1.2 m	80842
AS19S - 1.5 m	80852
AS19S - 2 m	72152



Tested to stop the fall of
1 user, 150 kg

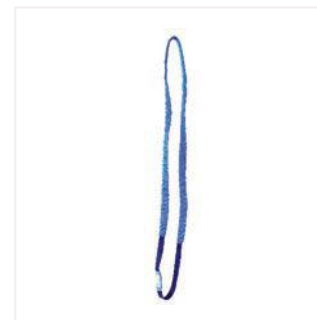
Anchor Point AS19S GA

EN795-B


Ring (supplied without connector) for anchoring on a structure on which a fall-arrest system has been installed.


The AS19S GA is delivered with a protective sleeve against sharp or abrasive edges made of kevlar. The kevlar sheath provides optimum protection against cuts and abrasion.


Model	Product Code
AS19S GA - 0.6 m	81412
AS19S GA - 0.8 m	81422
AS19S GA - 1 m	81432
AS19S GA - 1.2 m	81442
AS19S GA - 1.5 m	81452
AS19S GA - 2 m	81462



Tested to stop the fall of
1 user, 150 kg

 Order products on day 1, will be shipped no later than day 2,

 Order products on day 1, will be shipped no later than day 6. Maximum quantities apply for this service.

 Available on request. Please enquire about delivery times of these items.

Anchor points

Type B anchor: mobile anchors



Tested to stop the fall of
1 user, 150 kg

Anchor AS30S

EN795-B

- To create an anchor point on a frame.
- Width 30 mm.

Model	Product Code
AS30S 0.6m	57272
AS30S 0.8m	57282
AS30S 1m	57292
AS30S 1.2m	59372
AS30S 1.5m	59382
AS30S 2m	59392
Sleeve	18192



Tested to stop the fall of
1 user, 150 kg

Anchor - corso

EN795-B

corso clamp beam clamp with adjustable threaded bar.

- Compact and strong construction.
- Fast and simple adjustment to section.

Model	Weight (kg)	Product Code
corso LT-1B Beam Clamp	4.380	97929



Order products on day 1, will be shipped no later than day 2,



Order products on day 1, will be shipped no later than day 6. Maximum quantities apply for this service.



Available on request. Please enquire about delivery times of these items.

Anchor points

Type B anchor: mobile anchors

Rollbeam

EN795-B

- Push trolley.
- Travels on lower iron footplate.

Model	Description	Weight (kg)	Product Code
rollbeam SB	Standard - adjustable from 58 - 220 mm	11,7	54369
rollbeam LB	Extra wide - adjustable from 220 - 300 mm	12,7	88559



Tested to stop the fall of
1 user, 150 kg

Rollclamp

EN795-B


Enables the creation of a mobile anchor point on an R.S.J. and the ability to work safely while retaining a wide range of movement. Thanks to its 4 bearing rollers, the rollclamp follows movement around the framework with minimal user intervention.


- Medium adjustable: 90- 400 max.
- Large adjustable: 200 - 615 max.
- Can be installed on the upper or lower soleplate.
- rollclamp Weight: M 1.48 kg and L 2.04 kg.


Model	Weight (including packaging) (kg)	Product Code
medium	1.500	86009
large	2.080	86019



Tested to stop the fall of
1 user, 150 kg

 Order products on day 1, will be shipped no later than day 2,

 Order products on day 1, will be shipped no later than day 6. Maximum quantities apply for this service.

 Available on request. Please enquire about delivery times of these items.

Anchor points

Type B anchor: mobile anchors



Tested to stop the fall of 2 users,
100 kg

Anchor - Ballsafe

EN795-B - CEN/TS16415 for use by two people

The ballsafe anchor point is made up of a four block plug and a female socket. It is sealed into concrete or a material of equal density using a chemical compound.

Model	Product Code
ballSafe eye	89776
ballSafe female socket	89786



Tested to stop the fall of 2 users,
150kg.

Door anchor bar 150kg

Temporary anchor point

The Tractel door bar anchor is a mobile anchor point that complies with the EN 795B standard. This bar has been specially designed to create a reliable and quick to install anchor point. It is positioned in the opening of a sufficiently strong window or door.

This product is designed for people accessing area with a risk of fall from height in the vicinity of a door or window such as in construction sector or during the inspection of the building façade.

The door anchor bar is adjustable from 640 to 1100 mm.

It can be used simultaneously by 2 operators of 150 kg each.

It is made of galvanised steel and measures 1410 x 110 x 170mm and weighs 9 kg.

Model	Weight (kg)	Product Code
Door anchor bar 150kg	9	294649



Door anchor bag

Model	Product Code
Transport bag	68752



Order products on day 1, will be shipped no later than day 2.



Order products on day 1, will be shipped no later than day 6. Maximum quantities apply for this service.



Available on request. Please enquire about delivery times of these items.

Anchor points

Type B anchor: mobile anchors

EN795-B

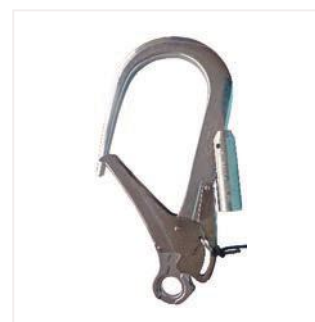
6 meters long pole. Enables the setting up of a lifeline from the ground.

- polyester pole
- With adapter for karabiner AM53 or AM54
- Pole weight : 2.685 kg
- Karabiner weight : 0.765 kg


Model	Product Code
Pole- 6 meter long	106697
AM53 connector	106117
AM54 Connector	113427
Pole + AM53 Connector	59452
Pole + AM54 Connector	59462





AM53



AM54

 Order products on day 1, will be shipped no later than day 2,

 Order products on day 1, will be shipped no later than day 6. Maximum quantities apply for this service.

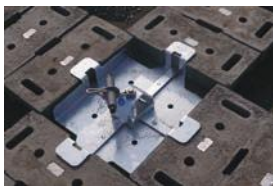
 Available on request. Please enquire about delivery times of these items.

Mobifor

Deadweight Anchor Point for installation on flat roof and fall risk areas

NEW

Integrate this product using **BIM and 3D files**. Access downloads on the product page of our website.



Tested to stop the fall of 1 user, 100kg.

EN795-E

The Mobifor is a revolutionary, deadweight anchoring system, for installation on flat roofs and fall risk areas. The set consists of 24, steel-reinforced, concrete blocks, positioned on four steel arms. The arms are connected at the centre by a joining plate equipped with a rotary anchor point with an energy dissipater.

SPECIFICATION

- 4 arms made of galvanised steel.
- 24 concrete weights.
- Rotary anchor point.
- Conforms to standard EN 795-E.

NO TOOLS REQUIRED

- The connecting plate is set up with no need to drill holes in the roof.
- The arms click easily into the plate.
- Weights automatically interlock.

EASY TO SET UP

- Takes less than 5 minutes to set up.
- The system uses ergonomic weights with large handles.
- Overall weight is distributed across 24 separate weights making it easy to lift and carry.
- The weights are easy to install on the arms.

ENHANCED FALL PROTECTION

- 360 degree movement possible thanks to the rotary anchor point.
- Compatible with a variety of fall arrest devices.

EXTREMELY VERSATILE

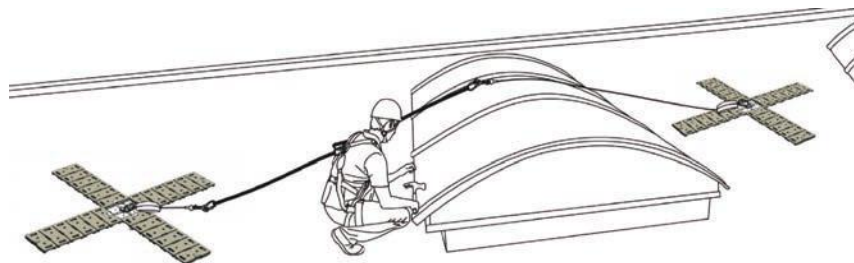
- Adapts to all horizontal roofs meeting European requirements.
- Its weight and volume allows for installation in places where traditional anchoring systems cannot be installed.
- Can be placed on a slope with an inclination of up to 5 degrees.
- Can be installed without penetrating the roof surface.
- Can be installed on the following roof surfaces: EPDM, bitumen, PVC.

Model	Weight (kg)	Product Code
Mobifor mobile anchor point	650	279409



Tested to stop the fall of 1 user, 100kg.

Example of application:



The installation and maintenance work of skylights on flat or slightly inclined shed roofs involves situations of risk of exposure of the operator with a pendulum effect and high stopping distances, even within the perimeter of the eaves line. Below we illustrate, through the combined use of two Blocfor heatsinks connected to two Mobifor anchor points, a procedure that allows you to reduce the distances of intervention.

Lifelines



Temporary Lifelines

Type B anchor: mobile anchors



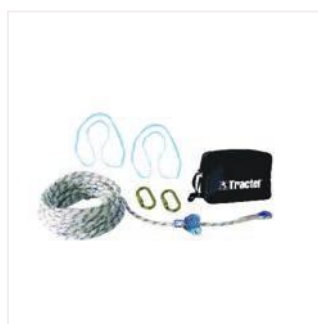
Tempo 2 - Temporary Lifeline

EN795 - CEN/TS16415

Tempo 2 is a temporary lifeline, easy and quick to install when there are two anchoring points offering sufficient resistance (28 kN). Lightweight, it allows total freedom of horizontal movement. The Tempo 2 lifeline can be installed on the ridge tiling of a roof or onto a metal structure.

- Synthetic fibre webbing straps, adjustable from 5 to 20 m.
- Can be used by 2 people.
- 7 metres clearance.
- Supplied with 2 AS30S webbing strap rings, 2 M18 connectors and a shoulder bag.

Model	Product Code
Tempo 2 kit	206018



Tempo 3 - Braided Rope - Temporary Lifeline

EN795 - CEN/TS16415

Tempo 3 is a compact, temporary lifeline, and is the fastest, most efficient lifeline available on the market.

Using a static rope line, N.G.R reinforced, and a tensioning system, the tempo 3 allows for simultaneous use by 3 users. This lifeline offers the possibility of setting up a temporary lifeline with a maximum length of 18 metres between two anchor points of sufficient strength (15 kN).

- Static rope line, N.G.R reinforced, adjustable from 5 to 18 m.
- Supplied with two AS30S webbing strap rings, 2 M10 connectors and a shoulder bag.

Model	Product Code
Tempo 3 kit	207068



Tirsafe Wire Rope Temporary Lifeline

EN795 - CEN/TS16415

Tirsafe T3 is a temporary lifeline that is easy and quick to install when there are two anchoring points offering sufficient support (30 kN). It allows for total freedom of horizontal movement. Adjustable from 5 to 30 m.

The Tirsafe T3 temporary lifeline includes:

- 1 anchoring point with Tirsafe T3 energy shock-absorber.
- 1 tirfor T3 cable winch.
- 2 x 2 metre slings.
- The Tirsafe T3 temporary lifeline guarantees the safety of 3 people.

Model	Description	Product Code
Tirsafe kit	with a 20m, 8.3 mm diameter cable	280559
Tirsafe kit	with a 30m, 8.3 mm diameter cable	276149

Permanent lifelines

EN 795-C:2012, CEN/TS 16415:2013

Permanent lifelines are part of fall arrest systems when they are used as the anchor solutions. As an anchor solution, their certification is related to the norm EN 795 of 2012 for single user and CEN/TS 16415 of 2013 for multi users.

Permanent lifelines are designed to stop the fall of one (or more, as specified below) users and to absorb part of the energy transmitted to the supporting structure. When used as a part of a fall arrest system, the user must always wear a safety harness and a fall arrester with shock absorber limiting the impact of the fall to 600daN on his body.

Tractel offers a wide range of permanent lifelines including a rigid rail solution to suit best each application.

	Travsafe	Travrail	Travflex 2	Travsmart	Travspring	Travspring One
Intermediate anchor crossing (Comfort of use)	Excellent, away from the lifeline	Excellent, away from the lifeline	Good, away from the lifeline	Good, away from the lifeline	Manual and near to the lifeline	Manual, near to the lifeline & disconnecting from the lifeline
Lifeline length	Up and above 200m		Up to 200m			
Frequency of use	Daily		Regular		Occasional	
Sliders availability	Standard, Opening, Rollsafe for overhead	Standard, Rolling/rope access, Rope access for wall	Bi-directional slider ³		Not available	
Installation type						
Overhead	✓	✓	-	✓	-	-
Wall and floor				✓		
Distance between anchor¹	30 m	6 m	15 m			
Deflection of the lifeline¹ (Configuration: 5x 15m, 1 user 150kg)	1,4 m (with bi material absorber ring 2.94 m)	0 m (with 6m between brackets)	3 m	2,8 m	2,8 m	2,8 m
Force on end anchor¹ (Configuration: 5x 15m, 1 user 150kg)	High 28 kN	Low 7 kN ²	Lowest 6 kN	Low 7 kN	Medium 10 kN	Medium 10 kN
Specific installation	Heavy structure	Standard structure	Lightweight structure	Standard structure		
Maximum of simultaneous user	3 x 150 kg or 5 x 100 kg	3 x 100 kg	2 x 150 kg or 3 x 100 kg	3 x 150 kg or 5 x 100 kg		
Main material	Stainless steel or galvanised steel	Aluminium	Stainless steel or galvanised steel		Galvanised steel	

¹ (depending on the specific configuration of the lifeline)

² (irrelevant of the number of simultaneous user with max weight of 100 kg)

³ (switch from one side to the other side of the wire rope without disconnecting)



Travsafe

Twin cables lifeline



Tested to stop the fall of
3 users, 150kg

OR



5 users, 100kg



EN795-C - CEN/TS16415

The new Travsafe lifeline is an evolution of the previous version. It complies with the European norm EN795-C and the CEN/TS16415 for multi-user. The Travsafe lifeline with its two cables is the most efficient and sophisticated lifeline on the market.

As an extension of Tractel High Capacity Range, the Travsafe lifeline is now certified for user weighing up to 150kg including all their equipment.

This lifeline is certified for a simultaneous use for a maximum of 5 users 100kg or 3 users 150kg.

Tractel has performed compatibility tests for all of its self-retracting fall arrester (EN360) and guided type fall arresters (EN353-2) rated 150kg on the Travsafe lifeline. All lanyards certified EN 355 can be used with the Travsafe lifeline.

Thanks to its specific design, the slider easily moves past the intermediate cable brackets, with no need for any manual intervention.

Two versions are now available:

- Travsafe with stainless steel shock absorber rings
- Travsafe with two-material shock absorber ring

These two Travsafe lifeline versions are designed for overhead, on wall or ground installations. The anchors can be installed on any structure or by using post interfaces. Intermediate anchors must be positioned no more than 15 meters apart.

When configured in stainless steel (anchors, wire ropes and absorber rings), the Travsafe offers the possibility to have a distance between anchors from **0.8m to 30m** in both single span and multi spans configuration.

The Travsafe is particularly well suited for long applications (over 200m). On overhead application, the Rollsafe slider ensures a smooth gliding of any fall arrester (including heavy self-retracting block) on the twin system.

For more information please contact Tractel.

This product comes equipped with [Tracinfo](#), an online service that simplifies the way you access product documentation. With [Tracinfo](#), you can get instant access to manuals, certificates, and more with just a few clicks.

Start kits and kits allow you to have the basic elements to build your lifeline. Then add the length of wire rope needed for your project. If applicable, you should also incorporate compatible intermediate anchors and curve kits. Don't forget your Travsafe sliders.



Galvanised steel wire ropes

Model	Product Code
Travsafe startkit GA1	277467
Travsafe startkit GS1 galvanised wire rope, stainless steel anchors & absorbers	277487
Travsafe startkit GA2 galvanised wire rope, aluminium anchors & bi-material absorbers	277507
Travsafe startkit GS2 galvanised wire rope, stainless steel anchors & bi-material absorbers	277527
Start kit galvanised - 5m	277547
Additional meter of wire rope galvanised	274247

Stainless steel wire ropes

Model	Product Code
Travsafe startkit SS1 stainless steel wire rope, stainless steel anchors & rings	277497
Travsafe startkit SS2 stainless steel wire rope, stainless steel anchors & bi-material absorbers	277537
Start kit stainless steel - 5m	277557
Additional meter wire rope stainless steel	274257

Anchors and absorber rings

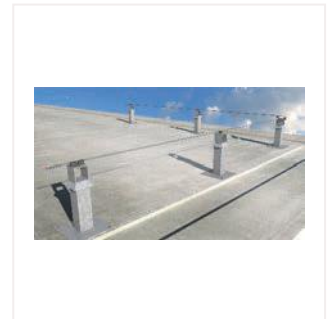
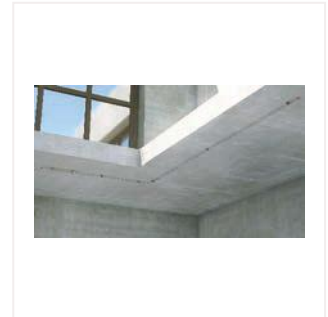
Model	Product Code
Travsafe Intermediate aluminium anchor	20715
Travsafe Intermediate stainless steel anchor	126435
Kit stainless steel absorbers (4x)	293679
Kit bi-material absorbers (4x)	293689
Curve kit stainless steel anchors & stainless steel absorbers	74317
Curve kit stainless steel anchors & bi-material absorbers	193048

Sliders

Model	Product Code
Kit language EN/RU/DK/PT/PL	293649
Counter plate Travsafe™ post	130995
Curve plate for post installation	114375

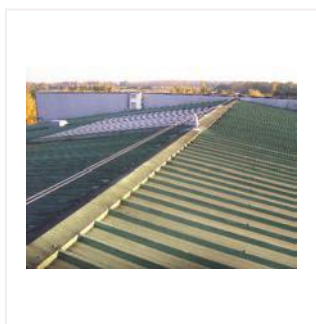
Accessories

Model	Product Code
Repair rings	20875



Travsafe Essential

Twin-cable lifeline



EN795-C - CEN/TS16415

The Travsafe Essential lifeline is an innovative addition to the Travsafe range, designed to ensure safety when working at height.

Travsafe Essential enables users and installers to select an alternative effort / deflection compromise. Fully compatible with Travsafe sliders and anchor points, it uses a different cable, that enables lesser effort on anchor points

The Travsafe Essential twin-cable lifeline provides the most efficient and safest operating comfort of all Tractel lifelines. The different sliders ensure the best use no matter the type of installation.

The Travsafe Essential is a permanent horizontal lifeline system that is easy to install (with same tools than Travsafe lifeline) and can allow up to 5 users with a maximum weight of 100 kg each or 3 users with a maximum weight of 150 kg each (weight including tools).

It complies with the European standard EN795-C and the CEN/TS16415 for multi-users.



Tested to stop the fall of
3 users, 150kg

OR



5 users, 100kg

Travsafe Essential lifeline can be adapted for different structures :

- Standard and Heavy structure = Bi-material absorber ring (reduce the force on the anchors)
- Every 45m, additional rings (4) must be installed to ensure the tension in the cables

This lifeline is only available in a straight line, no bends, simplifying installation and use.

Travsafe Essential

The lifeline can be configured with stainless steel or galvanised wire ropes, stainless steel or aluminium anchors and stainless steel or bi-material absorber rings.

How to configure your lifeline?

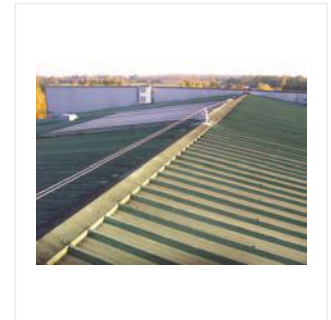
The Start kit and Travsafe Essential kit are the basic elements of your future lifeline. Then add the length of cable needed for your project.

Depending on the number of users of the line, as well as the type of installation (floor/wall/ceiling), add Travsafe Essential sliders.



Main components

Model	Product Code
Kit Travsafe Essential with stainless steel anchors and bi-material rings for galvanised wire ropes	298087
Start kit - galvanised steel wire rope - 1,5 m	298107
1 m galvanised steel wire rope for Travsafe Essential lifeline	298127
Kit Travsafe Essential with stainless steel anchors and bi-material rings for stainless steel wire ropes	298147
Start kit - stainless steel wire rope - 1,5 m	298117
1 m stainless steel wire rope for Travsafe Essential lifeline	298137



Additional components

Model	Product Code
Red caps kit (4x)	293659
Kit stop rings (x4)	293669
Kit bi-material absorber rings for Travsafe Essential (4x)	299679
Additional sign plate EN/FR/DE/IT/ES/NL	277127
Additional sign plate EN/DK/PT/PL	277237
Travsafe Essential kit language EN/PT/PL/DK	299549

Sliders

Model	Product Code
Rollsafe slider	251649
Standard slider	76149
Opening slider	76159

Travsafe Essential is compatible with all Travsafe sliders (Standard, Open, Rollsafe), as well as with an M53 lanyard (except for overhead applications).

M53 should be used with fork or double connection lanyards for the passage of intermediate anchors. This product is available on request, in several configurations.



M53 slider page XXX.

Lanyards page XXX.

Post

Model	Product Code
Travsafe post galvanised 500mm	104565
Counter plate for Travsafe post	131825

Travflex 2



Tested to stop the fall of
2 users, 150kg

OR



3 users, 100kg



EN795-C - CEN/TS16415

The new Travflex 2 lifeline is an evolution of the previous version. It complies with the European norm EN795-C and the CEN/TS16415 for multi-user.

As an extension of Tractel High Capacity Range, the Travflex 2 lifeline is now certified for user weighing up to 150kg including all their equipment.

This lifeline is certified for a simultaneous use for a maximum of 3 users 100kg or 2 users 150kg.

Intermediate anchors must be positioned no more than 15 meters apart.

Tractel has performed compatibility tests for all of its self-retracting fall arrester (EN360) and guided type fall arresters (EN353-2) rated 150kg on the Travflex 2 lifeline. All lanyards certified EN 355 can be used with the Travflex 2 lifeline.

Travflex 2 is the dedicated Tractel lifeline for light structure. Combined with the universal plate, it can be installed on a large range of light structures such as steel deck, sandwich panel and standing seem.

The Travflex 2 lifeline is certified for the following installation: on a wall, on an inclined surface up to 15° or on the ground.

The Travflex 2 lifeline advantages:

MEETS THE USER'S NEEDS:

- Choices of installations and uses (ergonomics).
- Automatic anchor crossing thanks to the travsmart slider.
- The user can work on either side of the lifeline without the need to disconnect (improved safety).
- Wire rope available in galvanized steel or stainless steel.

MEETS THE INSTALLER'S NEEDS:

- No special tools are required for the installation of the lifeline.
- Thanks to the wedge socket, the risk of the cable clamp nuts coming loose over time is fully eliminated.
- Quick and easy installation of the lifeline thanks to the design of the intermediate anchor.
- In the event of a fall, there is no need to fully dismantle the lifeline. Simply loosen the cable to remove and reinstall the failed intermediate supports (installation time reduced).

The kits Travflex 2 include two end anchors respectively in stainless steel or galvanised steel.

For more information please contact Tractel.

This product comes equipped with [Tracinfo](#), an online service that simplifies the way you access product documentation. With [Tracinfo](#), you can get instant access to manuals, certificates, and more with just a few clicks.

Travflex 2

Start kits and kits allow you to have the basic elements to build your lifeline.
 Then add the length of cable needed for your project.
 If applicable, you should also incorporate compatible intermediate and turn anchors.
 Don't forget your slider.



Model	Product Code
Kit Travflex 2 stainless steel	293639
Start kit stainless steel	57262
Additional meter of stainless steel wire rope	277137
Travsmart / Travflex 2 slider	251349

Model	Product Code
Kit Travflex 2 galva	293629
Start kit galvanised 5M	57252
Additional meter galvanised wire rope	238497
Travsmart / Travflex 2 slider	251349

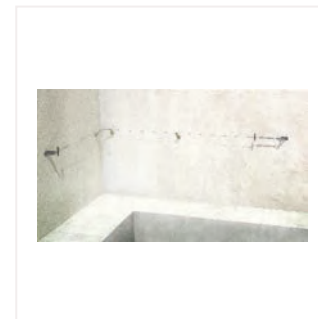
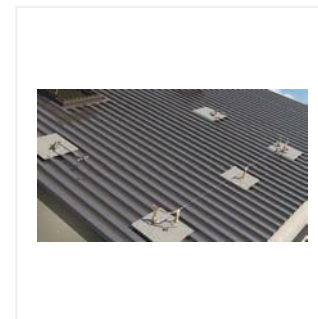
Model	Product Code
Intermediate anchor	100398
Curve kit stainless steel for installation on plate	100418
Curve kit galvanised for installation on plate	100408
Additional sign plate	277127


Example:


I wish to install a Travflex 2 lifeline with galvanised cable for application on rigid structure, 45 m.


I have to order :

- 1 kit Travflex 2 galvanised
- 1 start kit galvanised
- 40 meters of galvanised cable (start kit has already 5 m of cable)
- 2 Intermediate anchor
- 1 slider



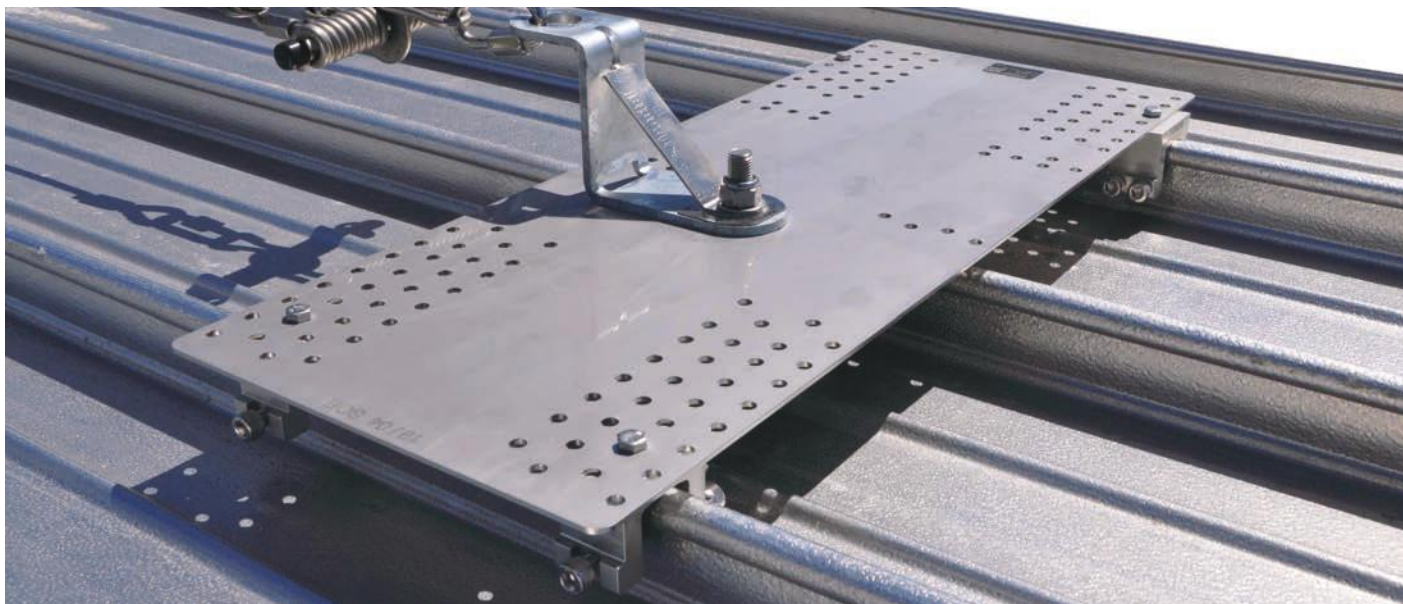
 Order products on day 1, will be shipped no later than day 2,

 Order products on day 1, will be shipped no later than day 6. Maximum quantities apply for this service.

 Available on request. Please enquire about delivery times of these items.

Travflex 2

Universal plate



Universal mounting plate for Travflex 2 on light structures

The universal plate is designed to be installed on light structures for our Travflex 2 lifeline and ringflex anchor point.

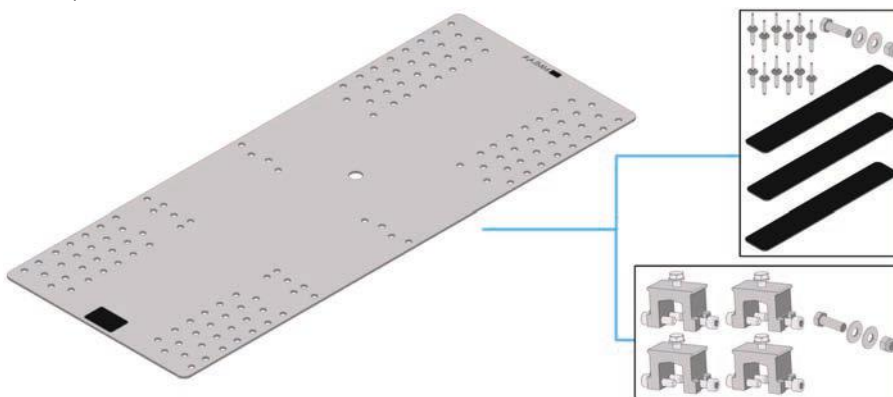
There are two versions available, depending on the intended use:

- Plate for extremity & intermediate bracket or anchor point.
- Plate for curved bracket.

The plate can be mounted on a wide range of roofs:

- Metal sheet roofing.
- Sandwich panel.
- Aluminium standing seam.

Depending on the application, the plate is supplied with a set of 4 clamps or a set of 12 rivets.



Model	Product Code
Extremity & intermediate universal plate in stainless steel	206888
Extremity & intermediate universal plate in galvanized steel	207788
Curve universal plate in stainless steel	206878
Kit 4 clamps + 1 bolt M16	7049
Kit 12 rivets + rubber sealing bands + 1 bolt M16	232587

* Extremity & intermediate universal plate is also suitable for the ring flex.

Delivery

Every universal plate is supplied with the installation manual

Both the 4 clamp kit and the 12 rivet kit are delivered with 1x screw HM16, 2x M16 washers, 1x M16 locknut.





EN795-C - CEN/TS16415

The Travsmart lifeline complies with the European norm EN795-C and the CEN/TS16415 for multi-user.

As an extension of Tractel High Capacity Range, the Travsmart lifeline is now certified for user weighing up to 150kg including all their equipment.

This lifeline is certified for a simultaneous use for a maximum of 5 users 100kg or 3 users 150kg.

Intermediate anchors must be positioned no more than 15 meters apart.

In single span configuration (without intermediate anchor), Tractel has certified the travsmart lifeline with a maximum distance between end anchors of **30m!**

Tractel has performed compatibility tests for all of its self-retracting fall arrester (EN360) and guided type fall arresters (EN353-2) rated 150kg on the Travsmart lifeline. All lanyards certified EN 355 can be used with the Travsmart lifeline.

Travsmart is the most polyvalent lifeline of Tractel' portfolio. The Travsmart lifeline is certified for the following installation: overhead, on a wall, on an inclined surface up to 15°, on the ground or on a post.

The Travsmart lifeline advantages:

MEETS THE USER'S NEEDS:

- Choices of installations and uses (ergonomics).
- Automatic anchor crossing thanks to the travsmart slider.
- The user can work on either side of the lifeline without the need to disconnect (improved safety).
- Wire rope available in galvanised steel or stainless steel.

MEETS THE INSTALLER'S NEEDS:

- No special tools are required for the installation of the lifeline.
- Thanks to the wedge socket, the risk of the cable clamp nuts coming loose over time is fully eliminated.
- Quick and easy installation of the lifeline thanks to the design of the intermediate anchor.
- In the event of a fall, there is no need to fully dismantle the lifeline. Simply loosen the cable to remove and reinstall the failed intermediate supports (installation time reduced).

For more information please contact Tractel.

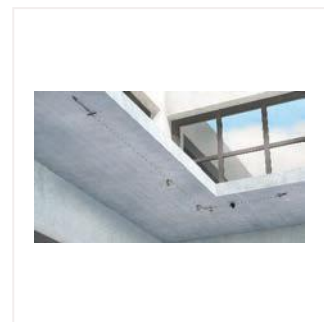
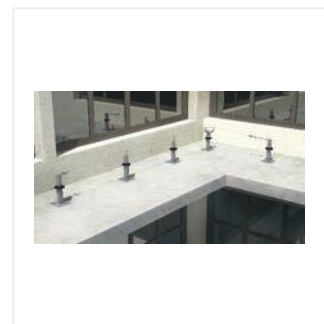


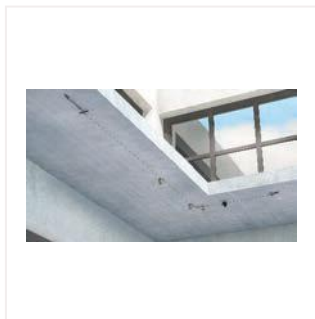
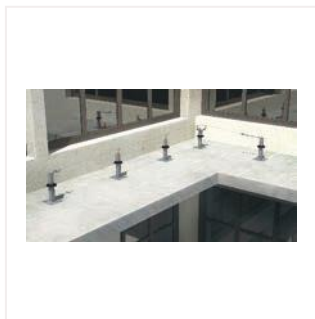
Tested to stop the fall of
3 users, 150kg

OR



5 users, 100kg





Start kits and kits allow you to have the basic elements to build your lifeline. Then add the length of cable needed for your project, as well as two end anchors. If applicable, you should also incorporate compatible intermediate anchors and turn kits. Don't forget your Travsmart slider.

Model	Product Code
Kit Travsmart stainless steel 150kg	277167
Start kit stainless steel	57262
Additional meter of stainless steel wire rope	277137
Travsmart slider	251349

Model	Product Code
Kit Travsmart galvanised 150kg	277157
Start kit galvanised	57252
Additional meter galvanised wire rope	238497
Travsmart slider	251349


Model	Product Code
Travsmart end anchor for ground, wall and overhead	193897
End anchor for post	66698
Travsmart standard in	193847
Travsmart overhead intermediate anchor	193857
Travsmart standard corner kit	193867
Travsmart overhead corner kit	193877
Travsmart corner plate for standard corner kit on post	193887
Additional sign plate	277127


Example:


I would like to install a travsmart lifeline with stainless steel cable for wall application, 45m.

I have to order :

- 1 kit travsmart stainless steel
- 1 start kit stainless steel
- 40 meters of stainless steel wire rope (start kit has already 5 m of wire rope)
- 2 travsmart end anchors for ground, wall and overhead
- 2 intermediate anchors
- 1 travsmart slider

 Order products on day 1, will be shipped no later than day 2,

 Order products on day 1, will be shipped no later than day 6. Maximum quantities apply for this service.

 Available on request. Please enquire about delivery times of these items.



EN795-C - CEN/TS16415

The Travspring lifeline complies with European norms EN795-C and CEN/TS16415 for multi-user. It is certified for users weighing up to 150kg and allows simultaneous use for a maximum of 5 users at 100kg or 3 users at 150kg

When configured with one INRS absorber, intermediate anchors can be positioned from **1.8 to 28.5m**. In a configuration with 2 INRS absorbers, intermediates must be positioned no more than 15 meters apart.

In single span configuration (without intermediate anchor), Tractel has certified the Travspring lifeline with a maximum distance between end anchors of **30m!**

MEETS THE USER'S NEEDS:

- Proximity lifeline
- Choices of installations and uses (ergonomics).
- The user can work on either side of the lifeline without the need to disconnect (improved safety).
- Wire rope available in galvanised steel or stainless steel.

MEETS THE INSTALLER'S NEEDS:

- No special tools are required for the installation of the lifeline.
- Thanks to the wedge socket, the risk of the cable clamp nuts coming loose over time is fully eliminated.
- Quick and easy installation of the lifeline thanks to the design of the intermediate anchor.
- In the event of a fall, there is no need to fully dismantle the lifeline. Simply loosen the cable to remove and reinstall the failed intermediate supports (installation time reduced).

For more information please contact Tractel.

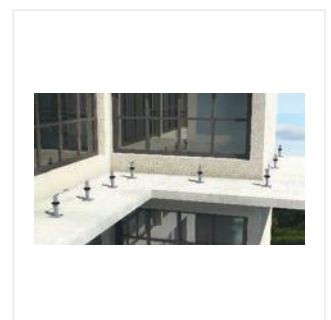
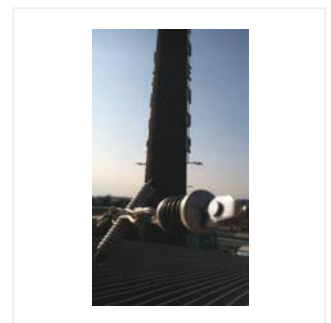


Tested to stop the fall of
3 users, 150kg

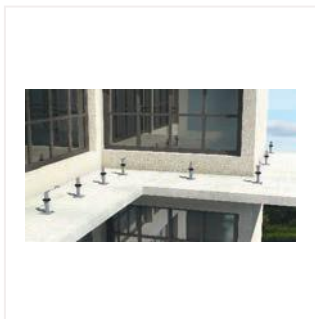
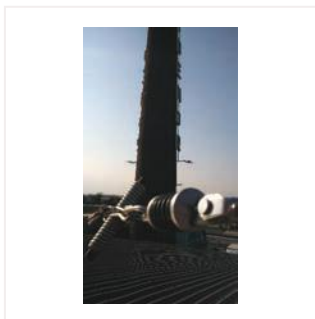
OR



5 users, 100kg



Travspring



Start kits and kits allow you to have the basic elements to build your lifeline.

Then add the length of cable needed for your project.

If applicable, you should also incorporate compatible intermediate and turn anchors.

Model	Product Code
Kit Travspring stainless steel 150kg	276977
Start kit stainless steel	57262
Additional meter of stainless steel wire rope	277137

Model	Product Code
Kit Travspring galva 150kg	276967
Start kit galvanised	57252
Additional meter galvanised wire rope	238497

Model	Product Code
End anchor for ground and wall	66848
Travspring intermediate anchor	66868
Travspring corner kit	66878
Travspring corner plate	66998
Additional sign plate	277127

Example:

I would like to install a travspring™ lifeline with galvanised cable for application on post, 122m, and a total of two INRS shock absorbers.

I have to order :

- 1 kit Travspring galvanised
- 1 start kit galvanised
- 117 meters of galvanised cable (start kit have already 5 m of cable)
- 2 End anchor for post
- 8 intermediate anchor
- 1 INRS absorber
- 1 Additional sign plate



Galvanised post

- Interface posts for the end or intermediate anchors, including curves for the travsmart, travspring™ or travspring™ one lifelines.
- 70x70 mm cross-section, made of galvanised steel.

Model	Product Code
With pulley 500mm for Travspring	68478
Counter plate for square base post 250mm and 500mm	130995
Counter plate for square base post 750mm	133295

Order products on day 1, will be shipped no later than day 2,

Order products on day 1, will be shipped no later than day 6. Maximum quantities apply for this service.

Available on request. Please enquire about delivery times of these items.

Travspring one

EN795-C - CEN/TS16415

The new Travspring One lifeline is a derivative of the Travspring lifeline. It complies with the European norm EN792-C:2012 and the CEN/TS16415:2013 for multi-user.

It is designed as a simple and inexpensive lifeline for occasional use. The system requires a double lifeline to pass the intermediate supports and curves.

150kg High Capacity Range

As an extension of Tractel High Capacity Range, the Travspring One lifeline is now certified for user weighing up to 150kg including all their equipment. This lifeline is certified for a simultaneous use for a maximum of 5 users 100kg or 3 users 150kg. In order to comply with the 150 kg classification, the harness and connection (lifelines, automatic fall arrest devices or guided fall arresters with flexible anchor line) must all have a 150 kg classification.

Specifications

Intermediate anchors must be positioned no more than 15 meters apart. In single span configuration (without intermediate anchor), Tractel has certified the Travspring lifeline with a maximum distance between end anchors of 30 meter.

The Travspring lifeline is certified for the following installation: on a wall, on an inclined surface up to 15°, on the ground or on a post. In addition, in a single span configuration, travspring™ can be installed overhead.

The system is supplied with a visual tension indicator and an in-line energy absorber.

Tractel has performed compatibility tests for all of its self-retracting fall arrester (EN360) and guided type fall arresters (EN353-2) rated 150kg on the Travspring One lifeline. All lanyards certified EN 355 can be used with the Travspring One lifeline.

Benefits

- Thanks to the wedge socket, the risk of the cable clamp nuts coming loose over time is fully eliminated.
- No special tools are required for the installation of the lifeline.
- Few components to install.



Tested to stop the fall of
3 users, 150kg

OR



5 users, 100kg



Travspring one



Start kits and kits allow you to have the basic elements to build your lifeline.

Then add the length of cable needed for your project.

If applicable, you should also incorporate compatible intermediate and turn anchors.

Model	Product Code
Kit Travspring One galva 150kg	277177
Start kit galvanised	57252
Additional meter galvanised wire rope	238497

Model	Product Code
Travspring end anchor ground and wall	66848
Travspring One end anchor for post	87368
Travspring One intermediate anchor for post	113297
Travspring One intermediate anchor for wall	113247
Travspring corner kit	66878
Travspring corner plate	66998
Additional sign plate	277127

Example:

I would like to install a travspring™ lifeline with galvanised cable, 122m.

I have to order :

- 1 kit travspring™ One galva
- 1 start kit galvanised
- 117 meters of galvanised cable (start kit have already 5 m of cable)
- 2 End anchors
- 8 intermediate anchors



Galvanised post

- Interface posts for the end or intermediate anchors, including curves for the travsmart, travspring™ or travspring™ one lifelines.
- 70x70 mm cross-section, made of galvanised steel.

Model	Product Code
With pulley 500mm for Travspring	68478
Counter plate for square base post 250mm and 500mm	130995
Counter plate for square base post 750mm	133295



Order products on day 1, will be shipped no later than day 2,



Order products on day 1, will be shipped no later than day 6. Maximum quantities apply for this service.



Available on request. Please enquire about delivery times of these items.

Interface posts for lifeline

Galvanised posts



Square base



Square base plate 20° inclined



Rectangular base



Base plate for roof ridges

Height: 250mm

Model	Description	Product Code
Post with a square base plate for roof ridges 270 x 270 mm.	Galvanised with square base	72008
Post with an inclined base plate for roof ridges 270 x 270 mm, 20° incline.	Galvanised with inclined base	72278
Post with a rectangular base plate for roof ridges 352 x 160 mm.	Galvanised with rectangular base	71968
Post with a base plate for roof ridges 350 x 370 mm.	Galvanised with base plate for roof ridges	71988

Height: 500mm

Model	Description	Product Code
Post with a square base plate for roof ridges 270 x 270 mm.	Galvanised with square base	66888
Post with a square base plate for roof ridges 270 x 270 mm, 20° incline.	Galvanised with inclined base	72288
Post with a rectangular base plate for roof ridges 352 x 160 mm.	Galvanised with rectangular base	71978
Post with a base plate for roof ridges 350 x 370 mm.	Galvanised with base plate for roof ridges	71998

Height: 750mm

Model	Description	Product Code
Post with a square base plate for roof ridges 270 x 270 mm.	Galvanised with square base	72298
Post with a rectangular base plate for roof ridges 352 x 160 mm.	Galvanised with rectangular base	72308

For calculation of these posts, please contact Tractel®



Order products on day 1, will be shipped no later than day 2.



Order products on day 1, will be shipped no later than day 6. Maximum quantities apply for this service.



Available on request. Please enquire about delivery times of these items.

Interface posts for lifeline

Insulated anchor posts

Insulated anchor posts with a stainless steel anchor ring. 70x70 mm cross-section, made of galvanised steel, with thermal protection. They are designed to eliminate the risk of condensation in winter when the outside temperature drops below 0° C. They also help to keep your roof insulation to its optimal efficiency and reduce heat energy waste.



Square base



Square base plate 20° inclined



Rectangular base



Base plate for roof ridges

Height: 250mm

Model	Description	Product Code
Post with a square base plate for roof ridges 270 x 270 mm.	Insulated with square base	186648
Post with a square base plate for roof ridges 270 x 270 mm, 20° incline.	Insulated with inclined base	186658
Post with a rectangular base plate for roof ridges 352 x 160 mm.	Insulated with rectangular base	186668
Post with a base plate for roof ridges 350 x 370 mm.	Insulated with a base plate for roof ridges	186678

Height: 500mm

Model	Description	Product Code
Post with a square base plate for roof ridges 270 x 270 mm.	Insulated with square base	186688
Post with a square base plate for roof ridges 270 x 270 mm, 20° incline.	Insulated with inclined base	186698
Post with a rectangular base plate for roof ridges 352 x 160 mm.	Insulated with rectangular base	186708
Post with a base plate for roof ridges 350 x 370 mm.	Insulated with a base plate for roof ridges	186718

Height: 750mm

Model	Description	Product Code
Post with a square base plate for roof ridges 270 x 270 mm.	Insulated with square base	186728
Post with a rectangular base plate for roof ridges 352 x 160 mm.	Insulated with rectangular base	186738

Accessories

Model	Product Code
Counter plate for square base post 750mm	133295
Counter plate for square base post 250mm and 500mm	130995

Interface posts for lifeline

Stainless steel anchor posts



Square base



Rectangular base



Base plate for roof ridges

Height: 250mm

Model	Description	Product Code
Post with a square base plate 270 x 270 mm.	Stainless steel with a square base plate	186808
Post with a rectangular base plate 352 x 160 mm.	Stainless steel with a rectangular base plate	186818
Post with a base plate for roof ridges 350 x 370 mm.	Stainless steel with a base plate for roof ridges	186828

Height: 500mm

Model	Description	Product Code
Post with a square base plate 270 x 270 mm.	Stainless steel with a square base plate	186838
Post with a rectangular base plate 352 x 160 mm.	Stainless steel with a rectangular base plate	186848
Post with a base plate for roof ridges 350 x 370 mm.	Stainless steel with a base plate for roof ridges	186858

For calculation of these posts, please contact [Tractel®](#).



Order products on day 1, will be shipped no later than day 2,



Order products on day 1, will be shipped no later than day 6. Maximum quantities apply for this service.



Available on request. Please enquire about delivery times of these items.

Interface posts for lifeline

Hot roof post - For Travsmart and Travspring



Hot roof post

Model	Product Code
End and corner post	218278
Intermediate post	218288
Intermediate post, PVC base	218298
End and corner post, PVC base	218308

Configure the number of posts according to site configuration. When top membrane is in PVC, the post with a PVC is required.

Bolting

Model	Product Code
Set of 4 x M10 concrete dowels	288447
M12 concrete dowel	288457
Set of 4 x M10 toggle bolts	288467
M12 Toggle bolt	288477

A kit of 4 bolts is required for each extremity or corner post. A kit of 1 bolt is required for each intermediate post.

Sealing rosette

Model	Product Code
Bitumen sealing rosette for intermediate post	288487
Bitumen sealing rosette for end and corner post	288497
PVC sealing rosette for intermediate post	288507
PVC sealing rosette for end and corner post	288517
EPDM sealing rosette for intermediate post	288527
EPDM sealing rosette for end and corner post	288537

Type of membrane depends on waterproofed top layer of the roof

Tools

Model	Product Code
Toggle bolt tool M12	288547
M10 socket wrench extension	288557
M12 socket wrench extension	288567
Hole saw Ø30mm	288577
Hole saw Ø44mm	288587
Quick-hitch arbor for hole saw Ø30mm	288597
Quick-hitch arbor for hole saw Ø44mm	288607

Travrail

Horizontal fall protection for attachment to a slider

EN 795-D

Travrail is a horizontal rigid anchor rail. It is designed to protect workers in the event of a fall, during tasks such as cleaning or maintenance work, checking an installation or safely entering a structure. It allows the slider to move freely over the intermediate anchors, enabling the user to move easily from one side of the rail to the other.

The rail makes it possible to secure 3 people (each weighing up to 100 kg including equipment and tools) at the same time (one person per slider).

The rail can also be used as an anchor point for Rope Access work (wall and floor applications only). In this case, each user must always be equipped with 2 sliders:

- 1 for the work rope
- 1 for the safety rope

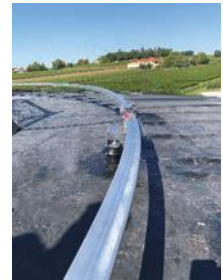
The maximum distance between brackets of the aluminium rail is 6m (3m for rope access applications). 90° bends available for wall mounting and floor/ceiling mounting. The rail can be mounted on the floor, on the wall or overhead.

Travrail features:

- Detachable end stop for inserting or retrieving sliders
- Complies with EN 795-D
- Complies with CEN/TS 16415 for 3 simultaneous users
- To be used with EN 360 retractable fall arresters
- To be used with EN 353-2 guided type fall arresters with flexible anchor line
- To be used with EN 355 energy absorbers and decelerators
- To be used with EN 361 full body harnesses



Tested to stop the fall of
3 users, 100kg



Model	Product Code
Entry & exit for rail alu	233145
Special rail bending	223306
Rail aluminium 3000 mm	232665
External corner rail aluminium	232685
Internal corner rail aluminium	232695
Overhead corner rail aluminium	232705
Connection rail aluminium	232715
Fix end stop	232745
Removable end stop	232655
Bracket	232725
Expansion bracket	232785
Standard slider	232675
Slider for rope access overhead	242485
Slider for rope access wall	232795
Drilling kit	232765

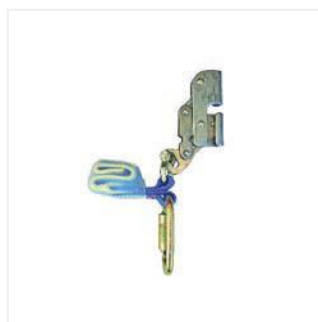
Example:

For 8 m of rail, 1 order 3 rails of 3 m (3 x 232665) + a rail cutout (223326).

Will be delivered 2 rails of 3 m and 1 rail of 2 m.

Stopcable S 150 kg

Vertical lifeline



EN353-1 - EN 353-2 - PPE-R/11.062

The use of a ladder to gain access to a high level workstation can pose an element of risk.

The Stopcable S vertical lifeline is a fall protection device that allows a person to get on and off in complete safety. It is mainly used to secure the ascent of people on simple fixed ladders. It consists of a fixed point and individual mobile equipment (slider). The slider follows you constantly during your ascent and locks in the event of a fall.

This device is used in various fields such as wind power, telecommunications, sanitation, nuclear power plants or any other industries requiring access to platforms or tanks.

The vertical lifeline must consist of a high anchor point complying with standard EN795, one or more intermediate fixings, a low attachment with cable tensioning system, cable, sliding fall arrester and a signage plate.

Model	Product Code
Stopcable S 150 kg (fall arrester)	87042
Extremity KIT Stopcable 353-1 GALVA	288967
Extremity KIT Stopcable 353-2 GALVA	288997
Galvanised anchor	17872
1m of cable galva	281767
Extremity KIT Stopcable 353-1 SS	289057
Extremity KIT Stopcable 353-2 SS	289257
Stainless steel anchor	32902
1m of cable stainless steel	281757
Plate Stopcable - FR/EN/DE/IT/ES/NL	289007
Kit of anchor for side bar	87378
Stopcable SS JUMPER - U Bolt - Diameter 27 mm	18132
Stopcable SS JUMPER - U Bolt - Diameter 34 mm	18142
Tensioning device	261809
Cable guide	108857
Energy shock-absorber	90049
Counterweight	129445

Permanent safety ladders

FABA system

EN353-1

The FABA range is a fall arrest system on a rail for vertical movements. The vertical rails are separately available for mounting on an existing ladder or can be supplied with an integrated ladder. The FABA systems include accessories such as rest platforms or access blocking systems. They are built to be adapted to all types of supports. These products can be supplied in galvanised steel, stainless steel or aluminium.

FABA ladders are complete systems in which all components are aligned with each other. The rigid rail allows the user to better control the movement of the slider. Unlike cable systems, several people can climb up the ladder one after the other (with sufficient spacing). Ideal for use over long distances.

The products of the FABA range have been tested to meet the requirements of the European EN 353-1 standard. Areas of application: along towers, chimneys, tanks, bridge piers, masts, antenna supports, access to mines, pits, sludge lagoons, cat walks, dams, tank lorries, cranes, roof terraces, waste water systems, etc.

For more information please contact Tractel.



See our harnesses, especially dedicated and patented for being used with FABA ladders :



HT120 (page 167)



HT Easyclimb (page 163)



FABA

Fall arresters on rail - (353-1 / 14122:4)

Since 1965, Tractel is offering vertical and horizontal access solutions (FABA systems) based on modular, robust designs.

FABA offers complete solutions and safety rails for safe access to your workplaces at height. A complete range of standard components guarantees a fall protection system according to EN 353-1. FABA fall arrest systems allow safe climbing on

fixed vertical ladders at any height and on horizontal access routes.

Area of application: Towers, pillars, lighting or antenna masts, pylons, chimneys.



FABA System AL2

The FABA AL2 System has been on the market since 2000. It is based on the principle of the FABA A12 System and is suitable for material in anodised aluminum. The design of the safety rail and sliders is asymmetrical and guarantees sliders are always used in the right direction.

- Dimensions rail profile (H-shaped): 48 x 65 x 3-6mm
- Material: Anodised aluminum
- Design: Ladder with a central upright or with additional side uprights or just rail
- Spacing in between stops: 70 mm
- Spacing in between rungs: 280 mm
- Rungs: Straight, inserted and set on the back of the rail
- Ladder width: 414 mm
- Primary lengths: 5600 and 2800 mm
- Adjustment lengths: 560, 840, 1120, 1400, 1680, 1960, 2240, 2520, 3080, 3360, 3640, 3920, 4200, 4480, 4760, 5040 and 5320 mm
- Maximum distance between fixings: 1680 mm for the ladder with central upright, 2520 mm suitable for ladder with side uprights or the rail.

For more information please contact Tractel® .



FABA System A12

The FABA A12 System has been on the market since 1995. It is a logical evolution of the FABA A11 System but a lighter and smaller version. The design of the safety rail and carriages is asymmetrical and guarantees that the carriages are always used in the right direction.

- Dimensions rail profile: 48 x 32 x 3 mm
- Material: Hot-dipped galvanised steel or stainless steel (1.4571)
- Design: Ladder with central upright or just rail
- Spacing in between stops: 40 mm
- Spacing in between rungs: 280 mm
- Rungs: Straight and welded on the back of the rail
- Width of the ladder: 380 mm
- Primary lengths: 5600 and 2800 mm
- Adjustment lengths: 560, 840, 1120, 1400, 1680, 1960, 2240, 2520, 3080, 3360, 3640, 3920, 4200, 4480, 4760, 5040 and 5320 mm
- Maximum distance between fixings: 1400 mm for the ladder and 1960 mm for the rail.

FABA A12 & AL2

Sliders



The slider is mobile component of the FABA system and is attached to the user with a carabiner. All FABA sliders are certified to the latest applicable standard (EN353-1) and comply with the European Regulation 2016/425 (PPE Regulation) with a maximum user weight of 150kg.

The following sliders are compatible with the FABA system A12 and AL2:

- AL-D
- Grip
- EZ

Each slider is designed for different uses according to the user needs and the following table is aimed at guiding the user's choice.

The safety rail of FABA is C-shaped rail and the sliders are gliding inside the rail. This offers the advantage of compacity of the system and increase the comfort of use as the rail and slider take less place in front of the user.

	AL-D	Grip	EZ
Frequency of use			
Occasional	V	-	V
Daily	-	V	V
Application			
Industrial use	V	-	-
Rescuer	-	-	V
Extensive climbing height	-	V	-
Confined access	V	-	V
Features			
Insertable and retrievable and at any location	-	-	V
Anti-reversibility	V	V	V
Compatibility			
A12	V	V	V
AL2	V	V	V
Connector			
Manual locking (M10)	V	-	V
Automatic tri-lock (M23)	V	V	V



AL-D



Grip



EZ

FABA

Sliders



FABA EZ 150kg

FABA EZ, simply said "easy"

- The biggest advantage and differentiator of this slider is its possibility to be inserted and retrieved at any place of a rail or a ladder,
- Thanks to its unique design, you insert or retrieve it with only one hand,
- Developed and compatible with FABA A12 & AL2,
- Introduction is only possible in the correct direction thanks to asymmetric profile,
- Robust and self mechanical locking system,
- Inside sliding,
- Good gliding,
- Available with manual (M10) or trilock connector (M23),
- User up to 150kg

Model	Product Code
FABA™ EZ 150kg M23	7029
FABA™ EZ 150kg M10	513888



FABA AL-D 150kg

The slider FABA AL-D 150kg is conform to the latest applicable standard EN 353-1 and to the European Regulation 2016/425 and is certified for a user weighing up to 150kg.

The slider is certified and compatible with the rail and ladder of FABA A12 galvanized steel or stainless steel and the rail and ladder of FABA AL2 and its related products, the FABA AL2 Mobil and the FABA AL2 Mobil-F.

This rigid vertical fall arrester is tested to stop the fall of one operator, with its tools and equipment, weighing up to 150 kg. It enables several operators to work in safety (each operator having his own FABA AL-D slider) if there are no more than two operators within 10m and at least 3m between them.

In order to provide protection for the user up to the maximum allowed weight, all the products of the system must be HIGH CAPACITY RANGE 150 KG (**Please note:** The component with the lowest capacity always determines the maximum capacity of the entire fall arrest system.).

Model	Product Code
FABA AL-D - M10	514008
FABA AL-D - M23	<input type="checkbox"/> N 514018



Order products on day 1, will be shipped no later than day 2.

Order products on day 1, will be shipped no later than day 6. Maximum quantities apply for this service.

Available on request. Please enquire about delivery times of these items.

FABA Grip 150kg

The slider FABA Grip 150kg is conform to the latest applicable standard EN 353-1 and to the European Regulation 2016/425 and is certified for a user weighing up to 150kg.

The slider is certified and compatible with the rail and ladder of FABA A12 galvanized steel or stainless steel and the rail and ladder of FABA AL2 and its related products, the FABA AL2 Mobil and the FABA AL2 Mobil-F.

This rigid vertical fall arrester is tested to stop the fall of one operator, with its tools and equipment, weighing up to 150 kg. It enables several operators to work in safety (each operator having his own FABA Grip slider) if there are no more than two operators within 10m and at least 3m between them.

In order to provide protection for the user up to the maximum allowed weight, all the products of the system must be HIGH CAPACITY RANGE 150 KG (PLEASE NOTE: The component with the lowest capacity always determines the maximum capacity of the entire fall arrest system.).



Model	Product Code
FABA™ Grip	514408

HT120 Fall Arrest Harness

EN361



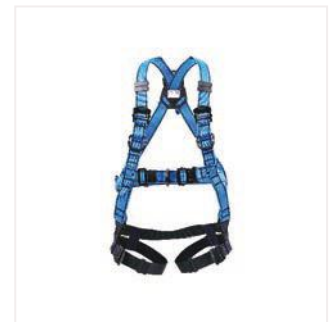
Harness designed for movement (up or down) on structures equipped with an EN 353.1 rail or cable fall arrester device equipped with an approved fall arrest umbilical anti-fallback system attachment point.

The HT120 harness is equipped with an approved fall arrest umbilical attachment point. This attachment point, while being fall arrest approved, provides comfortable support going up or down. HT 120 is the only harness on the market that offers this type of attachment point.

The HT120 harness is particularly adapted for climbing on ladders equipped with a rail-mounted FABA type fall arrester, whether or not including a tractelift climbing aid system.

It's patented design prevents the user from falling backwards in the event of a fall, eliminating the risk of serious back injuries

- 1 dorsal attachment point.
- 2 thoracic attachment points.
- 1 umbilical attachment point.



	S	M	XL
HT120 - Standard Buckles	61702	61712	61722

Order products on day 1, will be shipped no later than day 2,

Order products on day 1, will be shipped no later than day 6. Maximum quantities apply for this service.

Available on request. Please enquire about delivery times of these items.

FABA A12 ladder with fall arrest rail

(353-1 / 14122-4)

Hot-dip galvanised steel version

Model	Length (cm)	Weight (kg)	Product Code
560 mm	560 mm	2,5	501237
840 mm	840 mm	4,05	501257
1120 mm	1,120 mm	5,4	501297
1400 mm	1,400 mm	6,7	501317
1680 mm	1,680 mm	8	501337
1960 mm	1,960 mm	8,5	501367
2240 mm	2,240 mm	10,8	501387
2520 mm	2,520 mm	12,15	501407
2800 mm	2,800 mm	13,5	501427
3080 mm	3,080 mm	14,8	501447
3360 mm	3,360 mm	16,2	501467
3640 mm	3,640 mm	17,55	501487
3920 mm	3,920 mm	18,9	501507
4200 mm	4,200 mm	20,25	501527
4480 mm	4,480 mm	21,6	501547
4760 mm	4,760 mm	22,9	501567
5040 mm	5,040 mm	24,3	501587
5320 mm	5,320 mm	26,1	501607
5600 mm	5,600 mm	27	501627

Stainless steel version

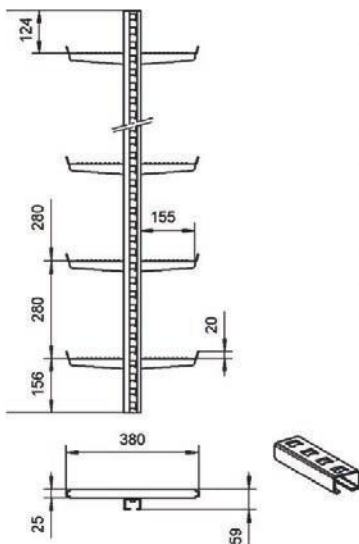
Model	Length (cm)	Weight (kg)	Product Code
560 mm	560 mm	2,7	501247
840 mm	840 mm	4	501267
1120 mm	1,120 mm	5,4	501307
1400 mm	1,400 mm	6,75	501327
1680 mm	1,680 mm	8	501357
1960 mm	1,960 mm	8,5	501377
2240 mm	2,240 mm	10,8	501397
2520 mm	2,520 mm	12,1	501417
2800 mm	2,800 mm	13,5	501437
3080 mm	3,080 mm	14,8	501457
3360 mm	3,360 mm	16,2	501477
3640 mm	3,640 mm	17,5	501497
3920 mm	3,920 mm	18,9	501517
4200 mm	4,200 mm	20,2	501537
4480 mm	4,480 mm	21,7	501557
4760 mm	4,760 mm	24	501577
5040 mm	5,040 mm	24,3	501597
5320 mm	5,320 mm	24	501617
5600 mm	5,600 mm	27	501637

Ladder with release facility

Model	Length (cm)	Weight (kg)	Product Code
Hot-dip galvanised	1,680 mm	8.1	501288

Ladder with release facility

Model	Length (cm)	Weight (kg)	Product Code
Stainless steel	1,680 mm	8.1	501298



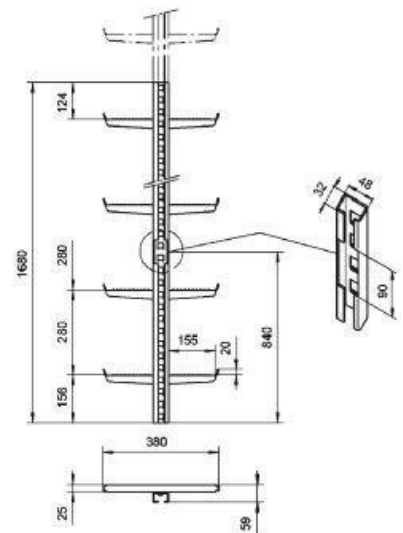
FABA A12 ladder with fall arrest rail.

- Available in various lengths from 560 to 5,600 mm.
- Recommended length up to **2,800mm** for transport optimisation and ease of installation.
- Distance between rungs 280 mm.
- Catching cut-outs in fall arrest rail every 40 mm.
- Rungs with anti-slip surface and 20 mm high lateral safety catch.
- Rungs 155 mm wide on each side.
- Material: Hot-dip galvanised steel or stainless steel
- Standard: EN 353-1, BGV D36, DIN 18799-2

Ladder with release facility

The ladder with release facility enables the comfortable insertion and retrieval of the FABA™ slider at the lower end of the ladder.

The installation of a detachable catch above the release is mandatory to prevent any involuntary retrieval of the slider.



FABA A12 fall arrest rail

(353-1 / 14122-4)

Hot-dip galvanised steel version

Model	Length (cm)	Product Code
560 mm	560 mm	502845
840 mm	840 mm	500038
1120 mm	1,120 mm	502855
1400 mm	1,400 mm	502865
1680 mm	1,680 mm	502875
1960 mm	1,960 mm	500048
2240 mm	2,240 mm	502885
2520 mm	2,520 mm	500058
2800 mm	2,800 mm	502895
3080 mm	3,080 mm	500068
3360 mm	3,360 mm	500078
3640 mm	3,640 mm	500088
3920 mm	3,920 mm	500098
4200 mm	4,200 mm	500108
4480 mm	4,480 mm	500118
4760 mm	4,760 mm	500128
5040 mm	5,040 mm	500138
5320 mm	5,320 mm	500148
5600 mm	5,600 mm	500158


Stainless steel version


Model	Length (cm)	Product Code
560 mm	560 mm	502905
840 mm	840 mm	502915
1120 mm	1,120 mm	502925
1400 mm	1,400 mm	502935
1680 mm	1,680 mm	502945
1960 mm	1,960 mm	502955
2240 mm	2,240 mm	502965
2520 mm	2,520 mm	502975
2800 mm	2,800 mm	502985
3080 mm	3,080 mm	502995
3360 mm	3,360 mm	503005
3640 mm	3,640 mm	503015
3920 mm	3,920 mm	503025
4200 mm	4,200 mm	503035
4480 mm	4,480 mm	503045
4760 mm	4,760 mm	503055
5040 mm	5,040 mm	503065
5320 mm	5,320 mm	500168
5600 mm	5,600 mm	503075




FABA A12 fall arrest rail.

- Available in various lengths from 560 to 5,600 mm. Recommended length up to 2,800mm for transport optimisation.
- Catching cut-outs in fall arrest rail every 40 mm.
- Material: Hot-dip galvanised steel or stainless steel
- Standard: EN 353-1, BGV D36, DIN 18799-2.

 Order products on day 1, will be shipped no later than day 2.

 Order products on day 1, will be shipped no later than day 6. Maximum quantities apply for this service.

 Available on request. Please enquire about delivery times of these items.

FABA A12

Components



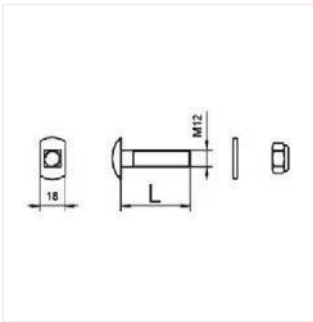
Joint connector

Joint connector between FABA™ A12 ladders or rails.

Materials: Galvanised steel or stainless steel.

Includes set of 2 FABA™ A12 screws.

Model	Product Code
Galvanised	508117
Stainless steel	508137



Mounting screws

FABA T-bolt kit made specifically for fixing the FABA™ A12 rail to the different brackets.

- Each kit includes 1 screw with nut and washer.
- Lengths of M12 x 35 mm, x 50 mm and x 65 mm.
- Materials: Stainless steel.

Model	Product Code
M12 x 35 mm	508107
M12 x 50 mm	516137
M12 x 65 mm	516147



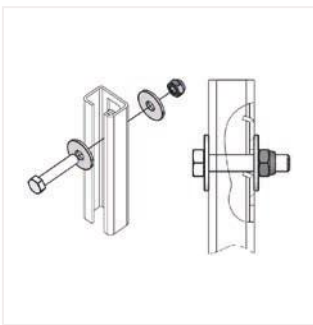
Catch


Catches must be installed on all the entry and exit points of the rails in order to prevent unwanted exiting of a FABA™ slider.


2 types of catch exit:


- Detachable catches must be installed in those locations where the carriage is to be removed.
The catch must be manually unlocked and then automatically closes (spring)
- Permanent catches must be installed in those locations where the carriage is not to be removed.

Model	Product Code
Detachable catch	517185
Permanent catch	508067



 Order products on day 1, will be shipped no later than day 2.

 Order products on day 1, will be shipped no later than day 6. Maximum quantities apply for this service.

 Available on request. Please enquire about delivery times of these items.

FABA A12

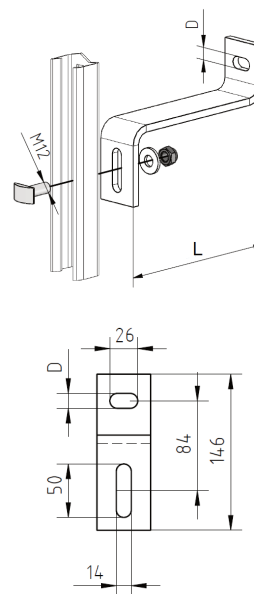
Brackets for ladder and rail

Z bracket

Z bracket for fixing the FABA™ ladder to a sturdy structure.

- Available with holes for wall fixing: $\varnothing = 10.5$ mm and $\varnothing = 14$ mm.
- Supplied with 1x M12 x 35mm screw kit.
- Fixing anchors not included.
- Materials: Galvanised steel or stainless steel.

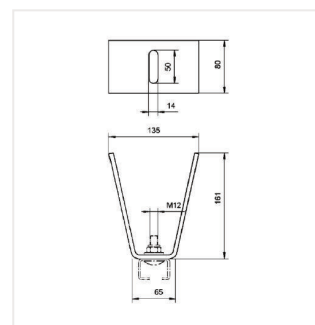
Model	Length (mm)	Construction material	Product Code
Z bracket $\varnothing 10.5$ mm	161 mm	Galvanised steel	505415
Z bracket $\varnothing 10.5$ mm	161 mm	Galvanised steel	508087
Z bracket $\varnothing 14$ mm	161 mm	Galvanised steel	505435
Z bracket $\varnothing 14$ mm	161 mm	Galvanised steel	503418
Z bracket $\varnothing 10.5$ mm	161 mm	Stainless steel 316	505445
Z bracket $\varnothing 10.5$ mm	161 mm	Stainless steel 316	503428
Z bracket $\varnothing 14$ mm	161 mm	Stainless steel 316	507487
Z bracket $\varnothing 14$ mm	161 mm	Stainless steel 316	503438
Z bracket $\varnothing 10.5$ mm	200 mm	Galvanised steel	524185
Z bracket $\varnothing 10.5$ mm	200 mm	Galvanised steel	527947
Z bracket $\varnothing 14$ mm	200 mm	Galvanised steel	525165
Z bracket $\varnothing 14$ mm	200 mm	Galvanised steel	527957



U bracket for welding

For welding on steel structure by certified welder. Protected against corrosion after welding.
Lengths between 161 and 300mm must be specified at the order
Mounting screws must be ordered separately.

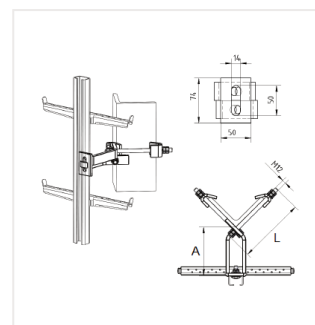
Model	Length (mm)	Product Code
Steel, untreated	160	505455
Steel with welding primer	160	503318
Stainless steel, untreated	160	503308
Hot-dip galvanised steel	160	523767



Bracket for corner profile

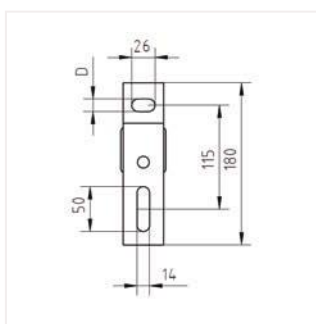
- Fastening of the FABA™ ladder to a corner profile (e.g. a steel lattice mast).
- Select the corresponding bracket according to the dimension of the corner profile.
- For corner profiles between 60 x 60mm up to 250 x 250 mm
- Supplied with 1x screw kit M12 x 35mm.

Corner profile length L (cm)	A=70 mm	A=130 mm	A=160 mm
	Code	Code	Code
60-130 mm	529067	503648	513388
130-200 mm	529077	503658	513398
200-250 mm	529087	503668	513408



FABA A12

Square tube bracket

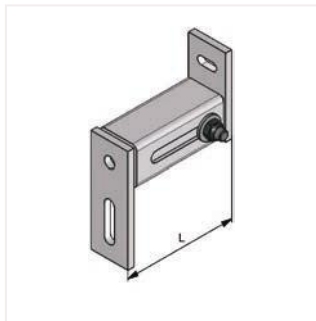


Square tube bracket

The square tube bracket is designed for installation of the FABA™ ladder to a masonry structure.

- Available with holes for wall fixing: $\varnothing = 10.5$ mm and $\varnothing = 14$ mm.
- Supplied with 1x screw kit M12 x 35mm.
- Fixing anchors not included.
- Materials: Galvanised steel or stainless steel.

Model	\varnothing fixing hole	length	Material	Product Code
Square tube bracket	10.5 mm	161 mm	Galvanised steel	503558
Square tube bracket	14 mm	161 mm	Galvanised steel	503538
Square tube bracket	10.5 mm	161 mm	Stainless steel 316	503568
Square tube bracket	14 mm	161 mm	Stainless steel 316	503548
Square tube bracket	10.5 mm	200 mm	Galvanised steel	527967
Square tube bracket	14 mm	200 mm	Galvanised steel	527977



Adjustable square tube brackets

This adjustable bracket should be used when the distance between the ladder/rail and structure is not constant.

- Available with holes for wall fixing: $\varnothing = 10.5$ mm
- Supplied with 1x screw kit M12 x 35mm.
- Fixing anchors not included.
- Materials: Galvanised steel or stainless steel.

Model	Length	Construction material	Product Code
Ajustable square bracket	-	Hot-Dip Galvanised Steel	272817
Ajustable square bracket	-	Stainless steel 316	272827



Order products on day 1, will be shipped no later than day 2,



Order products on day 1, will be shipped no later than day 6. Maximum quantities apply for this service.



Available on request. Please enquire about delivery times of these items.

FABA A12

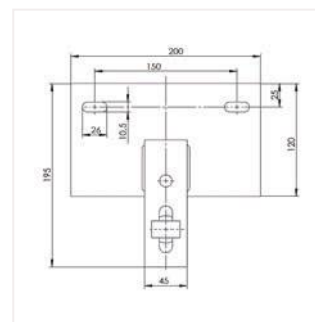
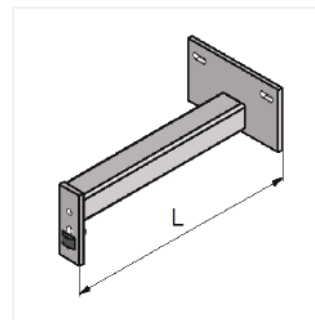
Bracket for low resistance structure

Bracket for low resistance structure

This bracket is designed for installation of the FABA™ ladder against brickwall. The design ensure a repartition of the forces transmitted to the supporting structure.

- Available with holes for wall fixing: $\varnothing = 10.5$ mm.
- Supplied with 1x screw kit M12 x 35mm.
- Fixing anchors not included.
- Materials: Galvanised steel or stainless steel.

Model	Length	Product Code
Bracket low resistance structure	161 mm	237445
Bracket low resistance structure	161 mm	272797
Bracket low resistance structure	161 mm	237455
Bracket low resistance structure	161 mm	272807
Bracket low resistance structure	371 mm	524125
Bracket low resistance structure	371 mm	524797
Bracket low resistance structure	430 mm	520565
Bracket low resistance structure	430 mm	520177
Bracket low resistance structure	500 mm	524645
Bracket low resistance structure	500 mm	525567

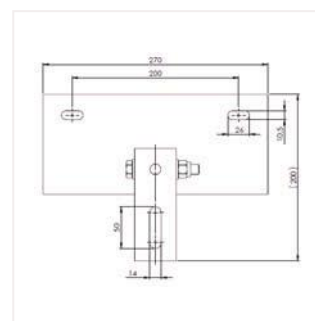
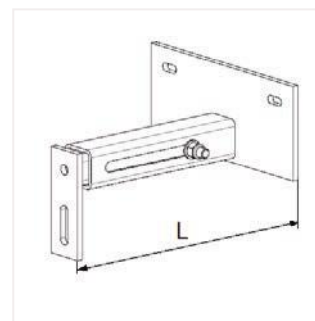


Adjustable bracket for low resistance structure

This adjustable bracket is designed for installation of the FABA™ ladder against brickwall. The design ensure a repartition of the forces transmitted to the supporting structure. This adjustable bracket should be used when the distance between the ladder/rail and structure is not constant.

- Available with holes for wall fixing: $\varnothing = 10.5$ mm.
- Supplied with 1x screw kit M12 x 35mm.
- Fixing anchors not included.
- Materials: Galvanised steel or stainless steel.

Model	Length	Construction material	Product Code
Adjustable bracket low resistance structure	-	Hot-Dip Galvanised Steel	272847
Adjustable bracket low resistance structure	-	Hot-Dip Galvanised Steel	272867



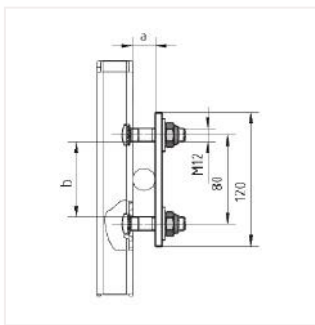
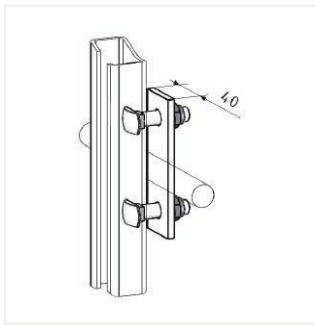
Order products on day 1, will be shipped no later than day 2,

Order products on day 1, will be shipped no later than day 6. Maximum quantities apply for this service.

Available on request. Please enquire about delivery times of these items.

FABA A12

Brackets for rail only for installation on rungs of existing ladders



Central bracket on round or rectangular rungs

Bracket for installation of the FABA™ A12 rail on the centre of existing round, rectangular or square rungs.

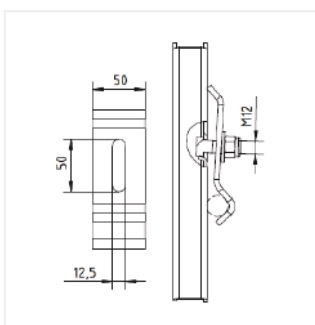
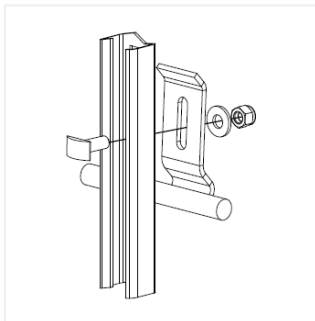
Minimum width of the rungs: 350mm

- Fastening of the FABA™ rail.
- This bracket is suitable for a wide range of different rungs.
 - On round rungs: for a diameter between Ø16mm and Ø40mm
 - On square or rectangular: from 16x16 to 40x65mm

1) Supplied with 1x screw kit M12 x 50mm.

2) Supplied with 1x screw kit M12 x 65mm.

Model	Product Code
Galvanised 16-25mm 1)	503398
Galvanised 25-40mm 2)	503408
Stainless steel 16-25mm 1)	508817
Stainless steel 25-40mm 2)	508827




Central bracket on round rungs


Bracket for installation of the FABA™ A12 rail on the centre of existing round rungs, step irons for example.


Minimum width of the rungs: 350mm

- Fastening of the FABA™ rail.
- The bracket is only suitable for round rungs with a diameter between Ø15 and Ø27 mm.
- Supplied with 1x screw kit M12 x 35mm.

Model	Product Code
Galvanised	508327
Stainless Steel	503528

 Order products on day 1, will be shipped no later than day 2,

 Order products on day 1, will be shipped no later than day 6. Maximum quantities apply for this service.

 Available on request. Please enquire about delivery times of these items.

FABA A12

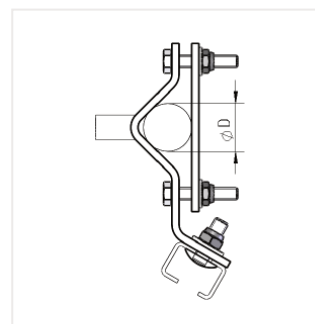
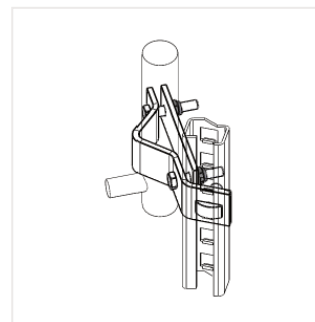
Brackets for rail for installation on side bars of existing ladders

Installation on round side bars

Bracket for the installation of FABA™ rail on the side profile (which must be round) of an existing ladder.

- Brackets for anchoring FABA™ A12 fall arrest rails.
- Dimensions: 3 different models are available for a diameter between 25mm and 80mm.
- Materials: Galvanised steel and stainless steel.
- Supplied with 1x M12 x 35mm screw kit.

Model	Product Code
Lateral bracket on round side bars, galvanised, Ø25-33mm	503368
Lateral bracket on round side bars, galvanised, Ø34-55mm	504008
Lateral bracket on round side bars, galvanised, Ø56-80mm	508637
Lateral bracket on round side bars, stainless steel, Ø34-55mm	504018
Lateral bracket on round side bars, stainless steel, Ø56-80mm	508647

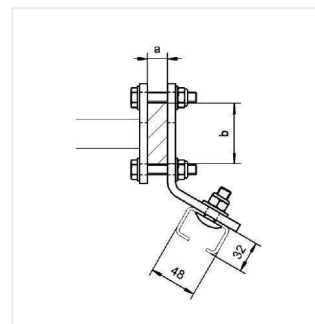
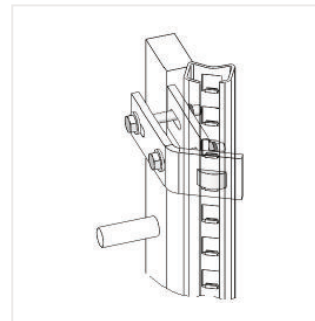


Installation on rectangular side bars

- Brackets for anchoring FABA™ A12 fall arrest rails.
- Dimensions: 6 different models are available.
- Materials: Galvanised steel and stainless steel.
- Supplied with 1x M12 x 35mm screw kit.

Each bracket is designed to fit a different side bar size. Dimensions a and b must be checked on the existing ladder to select the corresponding bracket.

Side rail dimension (cm)	b = 40-60mm		b = 61 - 80 mm		b=81-100mm
	Code Galvanised	Code Stainless steel	Code Galvanised	Code Stainless steel	Code Galvanised
a 6-20 mm	503888	503948	503918	503978	513938
21-30 mm	503898	503958	503928	503988	513948
31-50 mm	503908	503968	503938	503998	513958



Order products on day 1, will be shipped no later than day 2,



Order products on day 1, will be shipped no later than day 6. Maximum quantities apply for this service.



Available on request. Please enquire about delivery times of these items.

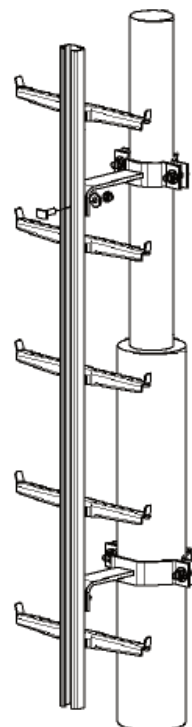
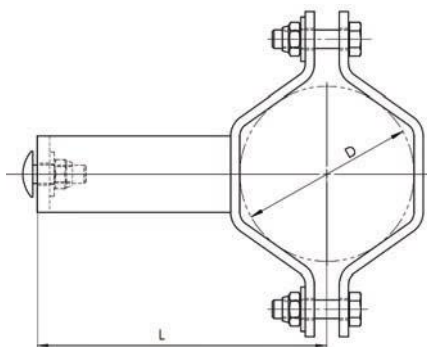
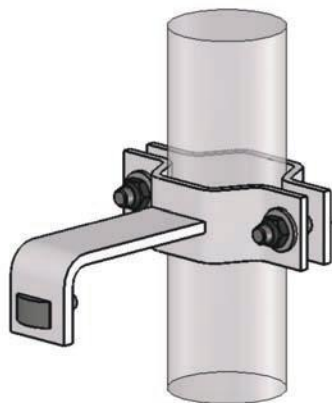
FABA A12

Brackets

Bracket for mast

Bracket for FABA™ A12 on mast by means of clamps.

- Composed of two elements:
 - CLAMPS with different diameters D,
 - ARMS of different lengths L (centre of the mast to the back of the rail).
- Including 1 mounting kit M12x35mm
- The length L is always given by the lower diameter of the mast used. This dimension L is decisive for the choice of the other anchorages to be used in the same dimension L of the system.
- Material: Galvanised steel.



Order products on day 1, will be shipped no later than day 2,



Order products on day 1, will be shipped no later than day 6. Maximum quantities apply for this service.



Available on request. Please enquire about delivery times of these items.

FABA A12

Rest platform

Resting platform for ladder

The resting platforms are placed every 12 m or dependent on the building and local standard or law

The device can be folded down to ease passage and has two platforms, each 130 x 300 mm

For FABA A12 ladder systems.

- Distance between rungs min. 280 mm.
- Boltings included. The resting platform is bolted onto the rail, no fastening to the surface is required.

For FABA A12 rail systems :

- For manhole steps in which the FABA™ climbing protection rail has been centrally mounted on the step irons.
- Distance between step irons min. 333 mm.
- For distances between the step irons of 333 mm, the free space on the platform is restricted to 110 mm.

There are no restrictions for 400 mm distances.

- Boltings included. The resting platform is bolted onto the rail, no fastening to the surface is required.

Materials: Galvanised steel and stainless steel.



Model	Product Code
Galvanised steel - Ladder	242095
Stainless steel - Ladder	242135
Galvanised steel - Rail	242255
Stainless steel - Rail	242275

Resting platform for rail

Resting platform for rails :

- For manhole steps in which the FABA™ climbing protection rail has been centrally mounted on the step irons.
- Distance between step irons min. 333 mm.
- For distances between the step irons of 333 mm, the free space on the platform is restricted to 110 mm.
- There are no restrictions for 400 mm distances.
- The resting platform is bolted onto the climbing protection rail, no fastening to the surface is required.
- The resting platforms are placed every 12 m or dependent on the building and local standard or law.



Order products on day 1, will be shipped no later than day 2,



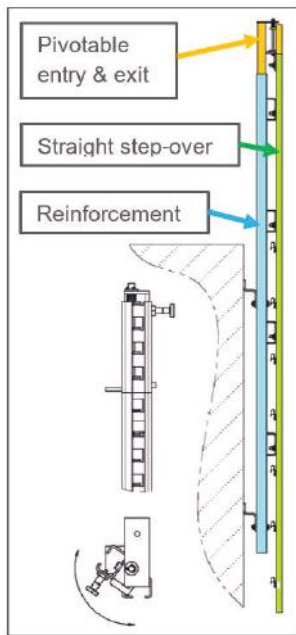
Order products on day 1, will be shipped no later than day 6. Maximum quantities apply for this service.



Available on request. Please enquire about delivery times of these items.

FABA A12

Step-overs



Straight step-over

The straight step-over ensures the safety until complete disembarkation as the slider remains connected and allow the user to secure themselves before disconnecting the slider:

- Only to be installed on the upper section of an installation.
- Total ladder length 2800 mm, landing height 964 mm.
- Number of rungs: 7.
- Materials: galvanised or stainless steel.

It must include for a ladder installation:

- the ladder extension,
- the reinforcing rail,
- the pivoting entry/exit

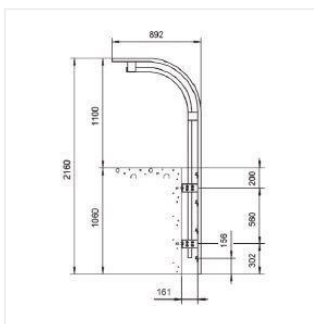
and for a rail installation (please ensure that the fall arrest rail is long enough to receive the straight step-over):

- the reinforcing rail,
- the pivoting entry/exit

Model	Type	Material	Exit direction	Product Code
Kit Straight step-over	Ladder	Galvanised steel	Right	272407
Kit Straight step-over	Ladder	Hot-Dip Galvanised Steel	Left	272417
Kit Straight step-over	Rail	Galvanised steel	Right	272917
Kit Straight step-over	Rail	Hot-Dip Galvanised Steel	Left	272927
Straight step-over	Ladder	Stainless steel 316	-	500388
Reinforcement	Ladder	Stainless steel 316	-	530347
Pivoting entry/exit	Ladder	Stainless steel 316	Left	530227
Pivoting entry/exit	Ladder	Stainless steel 316	Right	530247
Reinforcement	Rail	Stainless steel 316	-	530367
Pivoting entry/exit	Rail	Stainless steel 316	Left	530267
Pivoting entry/exit	Rail	Stainless steel 316	Right	530287
Reinforcement	Ladder	Galvanised steel	-	530337
Reinforcement	Rail	Galvanised steel	-	530357

Curved step-over

- The curved entry / exit is located at the top of the ladder or fall arrest ladder or rail.
- It facilitates the passage from the ladder to the deck or access.
- Recedes 892 mm into a safe access zone.
- Available for FABA A12 ladder or rail systems.
- Materials: Galvanised steel and stainless steel.



Model	Construction material	Product Code
Galvanised, for ladder, Ø10.5mm	Hot-Dip Galvanised Steel	503468
Galvanised, for ladder, Ø14mm	Hot-Dip Galvanised Steel	525427
Stainless steel, for ladder, Ø10.5mm	Stainless steel 316	503478
Stainless steel, for ladder, Ø14mm	Stainless steel 316	525417
Galvanised, for rail, Ø10.5mm	Hot-Dip Galvanised Steel	503488
Stainless steel, for rail, Ø10.5mm	Stainless steel 316	508237

FABA A12

Components

Confined Access Accessory

Specially designed for confined access or covered climbing facilities with FABA™ climbing protection A12.

In order to enter a confined access while maintaining an ergonomic, upright body posture, the entry aid is placed on the existing A12 climbing protection system and removed after the work has been completed.

The user is therefore able to secure him/herself while still standing beside the opening to the confined space.

This system may only be used in conjunction with a fixed connection to the climbing protection ladder.

Model	Product Code
Coupling for entry aid	507175
Portable entry aid	507155
Stainless steel bracket	503578



90° pivoting entry-exit section

The entry and exit section allows the comfortable insertion and extraction of the FABA™ carriage and must be installed at every position of the climbing facility that is intended to ensure safe release from the climbing protection system (e.g. work platforms).

It should be installed approx. 1000 mm above the standing level.

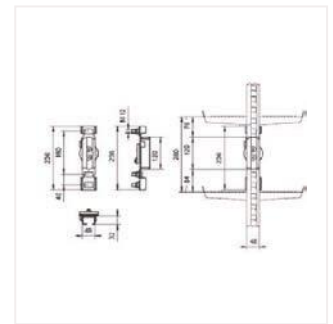
After its unlocking, the central piece can rotate by 90° and the slider exit laterally.


Vertical movement is blocked while the central piece is turned.


The central piece is locked automatically in the vertical position.


Included in the scope of delivery: 3x mounting screws M12x35mm

Model	Product Code
Galvanised	503498
Stainless steel	503508



 Order products on day 1, will be shipped no later than day 2,

 Order products on day 1, will be shipped no later than day 6. Maximum quantities apply for this service.

 Available on request. Please enquire about delivery times of these items.

FABA A12

Security against unauthorised ascent (optional)

Access restriction

The purpose of the access restriction is protecting FABA A12 ladders from unauthorised use.

There are several options depending on the need or location of the system:

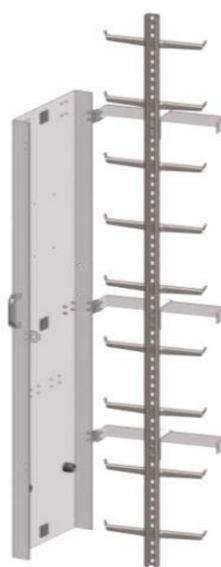
- Cover plate
- Safety door cover
- Butterfly door
- Foldable aluminium ladder for FABA ladder

The last option must combine the rail with mounting hook and the aluminium ladder.

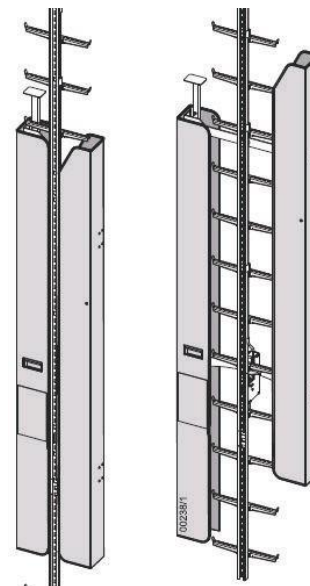
Model	Product Code
Galvanised steel cover plate	209138
Galvanised steel safety door cover	209148
Aluminium foldable ladder	501705
Galvanized rail with mounting hook for foldable ladder	503638
Stainless steel rail with mounting hook for foldable ladder	508577



Steel cover plate



Stell safety door cover



Aluminium butterfly door

Sign plate

The sign plate is mandatory component of any fall protection system.

It must be installed near the access of the system.

It includes the installation reference, the compatible sliders and the year of installation.

Material: aluminium

Model	Product Code
Sign plate	523897



Temporary safety ladders

FABA System AL2 MOBIL

The FABA AL2 Mobil system

Safety ladder for temporary use on various structure types. The fasteners that accommodate the ladder are permanently fixed. In the standard version, wall and post clamp brackets are supplied for the posts.

Features FABA AL2 Mobil:

- Dimensions rail profil (H-shaped): 48 x 65 x 3-6mm
- Material: Anodised aluminum
- Design: Ladder with a central upright or with additional side upright
- Spacing in between stops: 70 mm
- Spacing in between rungs: 280 mm
- Rungs: Straight, inserted and set on the back of the rail
- Ladder width: 414 mm

Delivery Tractel:

- Supplied in managable lengths of: 2800, 2520, 2240, 1960 and 1680 mm



FABA System AL2 MOBIL-F

The FABA AL2 MOBIL-F system

Designed for access to posts or masts with a circular cross-section. The fasteners are pre-installed on the ladder sections and provided with fastening straps to enable the ladder sections to be tightened and positioned directly on the post or mast.

Features FABA AL2 MOBIL-F:


- Dimensions rail profil (H-shaped): 48 x 65 x 3-6mm
- Material: Anodised aluminum
- Design: Ladder with a central upright or with additional side upright
- Spacing in between stops: 70 mm
- Spacing in between rungs: 280 mm
- Rungs: Straight, inserted and set on the back of the rail
- Ladder width: 414 mm


Delivery Tractel:


- Supplied in managable lengths of: 1960 and 1680 mm
- Maximum distance between fixings: 1680 mm
- Characteristics of connectors: Automatic release of the upper end stops when fitting the next Ladder section.



For more information about our special applications, please contact Tractel:

 Order products on day 1, will be shipped no later than day 2,

 Order products on day 1, will be shipped no later than day 6. Maximum quantities apply for this service.

 Available on request. Please enquire about delivery times of these items.

FABA

Fall arresters on rail - (353-1 / 14122:4)

Since 1965, Tractel is offering vertical and horizontal access solutions (FABA systems) based on modular, robust designs.

FABA offers complete solutions and safety rails for safe access to your workplaces at height. A complete range of standard components guarantees a fall protection system according to EN 353-1. FABA fall arrest systems allow safe climbing on

fixed vertical ladders at any height and on horizontal access routes.

Area of application: Towers, pillars, lighting or antenna masts, pylons, chimneys.



FABA System A11

Introduced in 1965, the FABA A11 System is the precursor to the vertical access safety devices. The safety rail and slider designs are symmetrical. The slider can be inserted in either direction in the safety rail.

- Rail profile dimension: 68 x 56 x 2.8mm
- Material: Hot-dipped galvanised steel or stainless steel (1.4571)
- 3 versions of the FABA A11 exist:
 - Ladder with central rail,
 - Ladder with side bars,
 - Central rail or just a rail.
- Distance catching stops: 140 mm
- Distance between rungs: 280 mm
- Rungs: Inclined forward and welded on the back of the rail.
- Ladder width: 408 mm
- Primary Length: 2800 mm
- Maximum distance between fixings: 1960 mm

FABA A11 is particularly well suited for installation on round manhole. The bent rungs (20°) help to reduce the required space for the installation of the ladder and offer more place to the user.

On request, customer made solutions can be designed to fit perfectly to the installation site.

For more information please contact Tractel.

FABA A11 ladder with fall arrest rail

(EN353-1 / 14122-4)

Hot-dip galvanised steel version

Number of rungs	Length (cm)	Weight (kg)	Product Code
2	560	4.8	501398
3	840	7.3	502357
4	1,120	9.8	502367
5	1,400	12.3	501438
6	1,680	14.7	501458
7	1,960	17.2	501478
8	2,240	19.7	501498
9	2,520	22.1	502377
10	2,800	24.5	502387

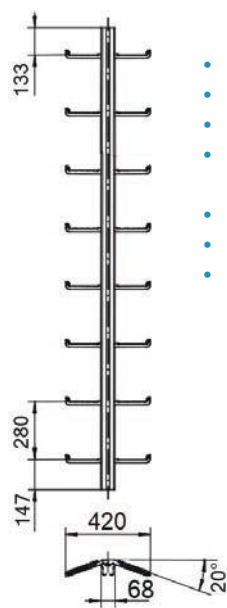
Stainless steel version

Number of rungs	Length (cm)	Weight (kg)	Product Code
3	840	7.3	501418
4	1,120	9.8	501428
5	1,400	12.3	501448
6	1,680	14.7	501468
7	1,960	17.2	501488
8	2,240	19.7	501508
9	2,520	19.7	501518
10	2,800	24.5	501528

Ladder with release facility

Model	Length (mm)	Weight (kg)	Product Code
Hot dip galvanised	1,680 mm	14.3	501638

Model	Length (mm)	Weight (kg)	Product Code
Stainless steel	1,680 mm	14.3	501658



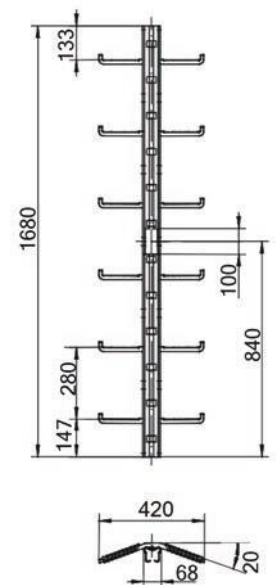
FABA A11 ladder with fall arrest rail.

- Available in various lengths from 840 to 2800 mm.
- Distance between rungs 280 mm.
- Catching cut-outs in fall arrest rail every 140 mm.
- The rungs are forged from solid steel and welded to the back of the rail. They have a profiled tread and 20 mm high slip-off pins
- Rungs 170 mm wide on each side bent at 20°
- Material: Hot-dip galvanised steel or stainless steel
- Standard: EN 353-1, BGV D36, DIN 18799-2

Ladder with release facility

The ladder with release facility enables the comfortable insertion and retrieval of the FABA slider at the lower end of the ladder.

The installation of a detachable catch above the release is mandatory to prevent any involuntary retrieval of the slider.



Order products on day 1, will be shipped no later than day 2,

Order products on day 1, will be shipped no later than day 6. Maximum quantities apply for this service.

Available on request. Please enquire about delivery times of these items.

FABA A11 ladder with side bars and fall arrest rail

(EN353-1 / 14122-4)

Hot-dip galvanised steel version

Number of rungs	Length (mm)	Weight (kg)	Product Code
4	1,120	12.4	501718
5	1,400	15.5	501738
6	1,680	18.6	501758
7	1,960	21.7	501798
10	2,800	31.1	501858

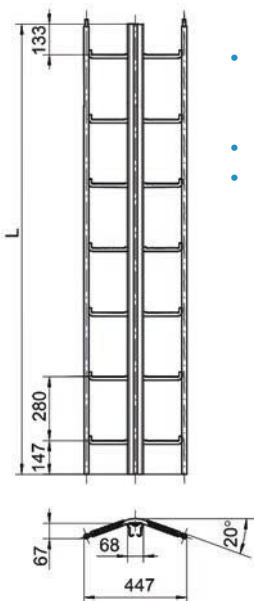
Stainless steel version

Number of rungs	Length (mm)	Weight (kg)	Product Code
4	1,120	12.4	501728
5	1,400	15.5	501748
6	1,680	18.6	501778
7	1,960	21.7	501808
10	2,800	31.1	501868

Ladder with side bars and release facility

Model	Length (mm)	Weight (kg)	Product Code
Hot dip galvanised	1,680	18.6	512918

Model	Length (mm)	Weight (kg)	Product Code
Stainless steel	1,680	18.6	512928



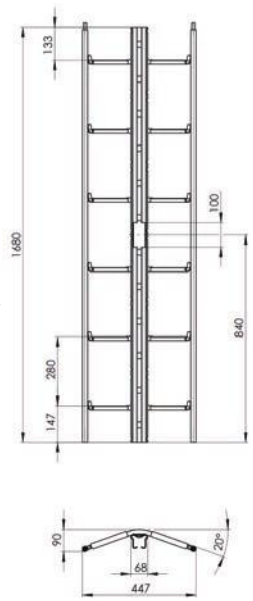
FABA A11 with side bars and fall arrest rail

- In addition to the all specifications of the standard FABA A11 ladder, the version includes sidebars. This version is recommended when the rungs cannot be used as climbing aids for the hands.
- Available in various lengths from 1120 to 2800 mm.
- Material: Hot-dip galvanised steel or stainless steel

Ladder with release facility

The ladder with release facility enables the comfortable insertion and retrieval of the FABA slider at the lower end of the ladder.

The installation of a detachable catch above the release is mandatory to prevent any unvoluntary retrieval of the slider.



Order products on day 1, will be shipped no later than day 2.

Order products on day 1, will be shipped no later than day 6. Maximum quantities apply for this service.

Available on request. Please enquire about delivery times of these items.

FABA A11 fall arrest rail

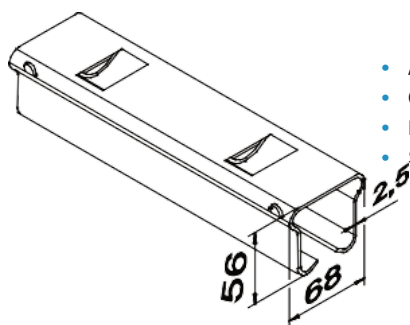
(353-1 / 14122-4)

Rail made in hot-dip galvanised steel.

Model	Length (mm)	Weight (kg)	Product Code
4	1,120	4.3	500198
5	1,400	5.3	500208
6	1,680	6.4	500218
7	1,960	7.5	500228
10	2,800	10.8	503335


Rail made in stainless steel


Model	Length (mm)	Weight (kg)	Product Code
3	840		500278
4	1,120	4.3	500288
5	1,400	5.3	500298
6	1,680	6.4	500308
7	1,960	7.5	500318
10	2,800	10.8	500348




FABA A11 fall arrest rail.

- Available in various lengths from 1120 to 2800 mm. .
- Catching cut-outs in fall arrest rail every 140 mm.
- Material: stainless steel 1.457 (316 Ti).
- Standard: EN 353-1, BGV D36, DIN 18799-2.

 Order products on day 1, will be shipped no later than day 2.

 Order products on day 1, will be shipped no later than day 6. Maximum quantities apply for this service.

 Available on request. Please enquire about delivery times of these items.



FABA Klassik 150kg

We are introducing the new slider FABA Klassik 150kg. It is an upgrade to the actual FABA Klassik. This new version conforms to the latest applicable standard EN 353-1 and to the European Regulation 2016/425 and is certified for a user weighing up to 150kg.

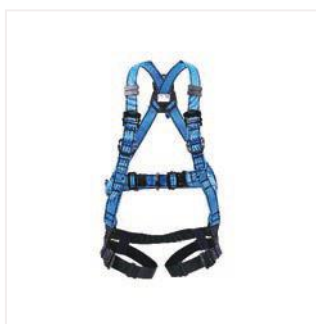
This slider is a part of the process of upgrading our range of PPE fall protection products and an extension of the FABA range.

The slider is certified and compatible with the rail and ladder of FABA A11 galvanized steel or stainless steel its related accessories.

This rigid vertical fall arrester is tested to stop the fall of one operator, with its tools and equipment, weighing up to 150 kg. It enables several operators to work in safety (each operator having his own FABA Klassik slider) if there are no more than two operators within 10m and at least 3m between them.

In order to provide protection for the user up to the maximum allowed weight, all the products of the system must be HIGH CAPACITY RANGE 150 KG (Please note: The component with the lowest capacity always determines the maximum capacity of the entire fall arrest system.)

Model	Product Code
FABA Klassik M10	514208
FABA Klassik - M23	N 514218



HT120 Fall Arrest Harness

EN361



Harness designed for movement (up or down) on structures equipped with an EN 353.1 rail or cable fall arrester device equipped with an approved fall arrest umbilical anti-fallback system attachment point.

The HT120 harness is equipped with an approved fall arrest umbilical attachment point. This attachment point, while being fall arrest approved, provides comfortable support going up or down. HT 120 is the only harness on the market that offers this type of attachment point.

The HT120 harness is particularly adapted for climbing on ladders equipped with a rail-mounted FABA type fall arrester, whether or not including a tractelift climbing aid system.

It's patented design prevents the user from falling backwards in the event of a fall, eliminating the risk of serious back injuries

- 1 dorsal attachment point.
- 2 thoracic attachment points.
- 1 umbilical attachment point.

	S	M	XL
HT120 - Standard Buckles	61702	61712	61722

Order products on day 1, will be shipped no later than day 2,

Order products on day 1, will be shipped no later than day 6. Maximum quantities apply for this service.

Available on request. Please enquire about delivery times of these items.

FABA A11

Components

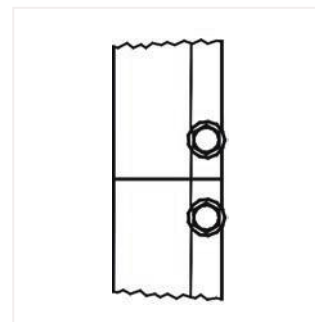
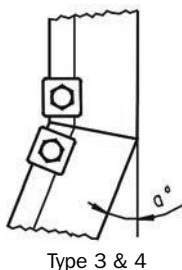
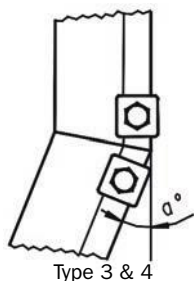
FABA A11 joint connector

Joint connector between FABA A11 ladders or rails.

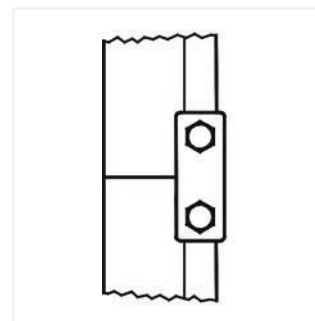
Materials: stainless steel.

4 different type of connectors is existing depending on the configuration of the installation.

Model	Type	Product Code
Straight connection	1	507197
Straight connection with lightning discharge	2	507307
Connection angle between 5° and 15°	3	503258
Connection angle between 15° and 25°	4	503278



Type 1



Type 2

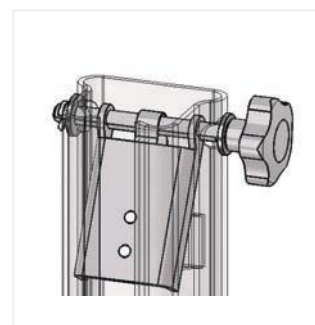
FABA A11 catch


Catches must be installed on all the entry and exit points of the rails in order to prevent unwanted exiting of a FABA slider.


2 types of catch exist:


- Detachable catches must be installed in those locations where the carriage is to be removed.
The catch must be manually unlocked and then automatically closes (spring)
- Permanent catches must be installed in those locations where the carriage is not to be removed.

Model	Product Code
Detachable catch	523597
Permanent catch	523617



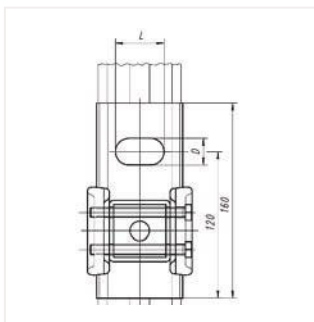
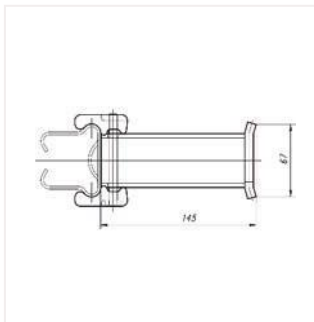
 Order products on day 1, will be shipped no later than day 2,

 Order products on day 1, will be shipped no later than day 6. Maximum quantities apply for this service.

 Available on request. Please enquire about delivery times of these items.

FABA A11

Square bracket

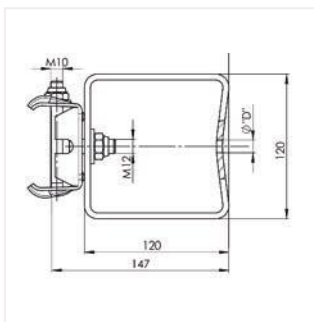
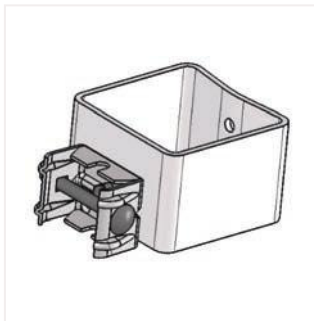


Square tube bracket type 1

The square tube bracket is designed for installation of the FABA ladder to a concrete or steel structure.

- Bracket spacing max. 2000 mm.
- Installation structure must be reinforced concrete at least B 25 (observe edge distances and wall thickness).
- Suitable for straight or round surfaces.
- Only use anchors approved by the building authorities.
- Materials: Galvanised steel or stainless steel.

Model	Oblong size D x L (mm)	Material	Product Code
Square tube bracket	-	Galvanised steel	502208
Square tube bracket	-	Galvanised steel	502228
Square tube bracket	-	Galvanised steel	502248
Square tube bracket	-	Galvanised steel	502268
Square tube bracket	-	Stainless steel 316	502218
Square tube bracket	-	Stainless steel 316	502238
Square tube bracket	-	Stainless steel 316	502258
Square tube bracket	-	Stainless steel 316	502278



Square tube bracket type 2

The square tube bracket is designed for installation of the FABA ladder to a concrete or steel structure.

- Bracket spacing max. 2000 mm.
- Installation structure must be reinforced concrete at least B 25 (observe edge distances and wall thickness).
- Suitable for straight or round surfaces.
- Only use anchors approved by the building authorities.
- Materials: Galvanised steel or stainless steel.

Model	Material (mm)	Ø fixing hole	Product Code
Square tube bracket	10.5	Galvanised steel	503047
Square tube bracket	13	Galvanised steel	502068
Square tube bracket	17	Galvanised steel	502088
Square tube bracket	21	Galvanised steel	502108
Square tube bracket	25	Galvanised steel	502128
Square tube bracket	10.5	Stainless steel 316	503057
Square tube bracket	13	Stainless steel 316	502078
Square tube bracket	17	Stainless steel 316	502098
Square tube bracket	21	Stainless steel 316	502118
Square tube bracket	25	Stainless steel 316	502138

Order products on day 1, will be shipped no later than day 2,

Order products on day 1, will be shipped no later than day 6. Maximum quantities apply for this service.

Available on request. Please enquire about delivery times of these items.

FABA A11

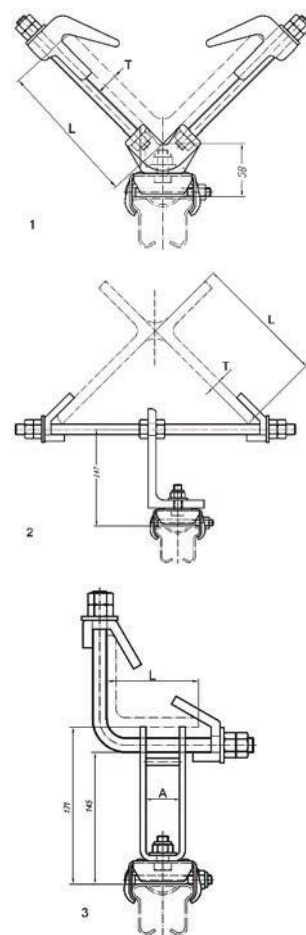
Brackets for corner profile and steel lattice mast

Bracket for corner profile

- Fastening of the FABA ladder to a corner profile.
- Select the corresponding bracket according to the dimension of the corner profile.
- For corner profiles between 80 x 80mm up to 250 x 250mm
- For X profile between 160 x 160mm and 200 x 200mm

Model	Type	Length (mm)	T (mm)	Weight (kg)	Product Code
Central installation	1	-	6 - 10	0.7	503128
Central installation	1	-	12 - 13	0.8	503138
Central installation	1	-	15	0.9	503148
Central installation	1	-	18 - 24	1	503158
Support/console en X	2	-	15 - 16	1.1	503188
Bracket X profile	2	-	15 - 24	1.2	503178

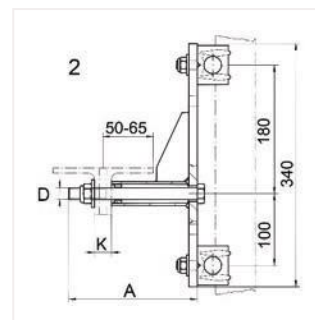
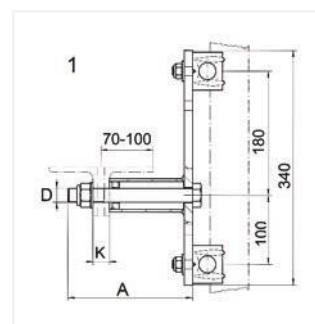
Model	Type	Length (mm)	A (mm)	Weight (kg)	Product Code
Lateral installation	3	-	37	0.9	506427
Lateral installation	3	-	37	1	503168
Lateral installation	3	-	70	1.1	506437
Lateral installation	3	-	70	1.2	506447



Bracket for lattice mast

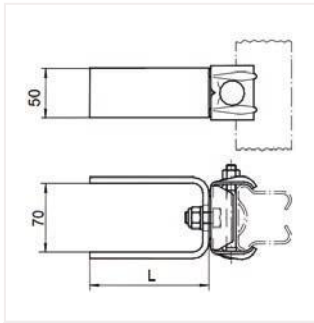
- Fastening of the FABA ladder to a corner profile (e.g. a steel lattice mast).
- Select the corresponding bracket according to the dimension of the corner profile.
- For corner profiles between 80 x 80mm up to 250 x 250mm
- For X profile between 160 x 160mm and 200 x 200mm

Model	Type	Length (mm)	A	K	D	Weight (kg)	Product Code
Lattice bracket	1	-	180	15 - 43	M16	3.8	502508
Lattice bracket	1	-	180	12 - 39	M20	4	502518
Lattice bracket	1	-	180	12 - 34	M24	4.2	502528
Lattice bracket	1	-	180	12 - 31	M27	4.5	502538
Lattice bracket	1	-	200	36 - 60	M16	3.9	502458
Lattice bracket	1	-	200	28 - 55	M20	4.1	502558
Lattice bracket	1	-	200	20 - 50	M24	4.3	502568
Lattice bracket	1	-	200	14 - 50	M27	4.5	502578
Lattice bracket	2	-	180	15 - 43	M16	3.8	502598
Lattice bracket	2	-	180	22 - 47	M12	3.7	502588
Lattice bracket	2	-	180	12 - 39	M20	4	502608



FABA A11

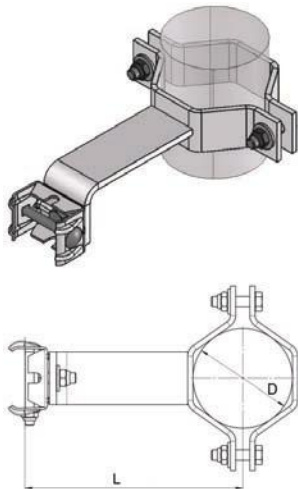
Brackets for ladder and rail



U bracket for welding

For welding on steel structure by certified welder. Protected against corrosion after welding.
Lengths between 121 and 500mm must be specified at the order.
Mounting clamp and screw set must be ordered separately.

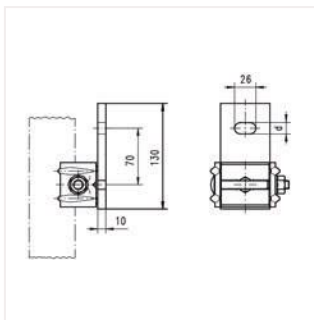
Model	Length (mm)	Product Code
Stainless steel, untreated	120	504067
Stainless steel, untreated L121-305	-	502788
Stainless steel, untreated L306-400	-	502808
Stainless steel, untreated L401-500	-	502818
Steel, untreated	120	504057
Steel, untreated L121-305	-	502778
Steel, untreated L306-400	-	502798
Steel, untreated L401-500	-	502828
Metal sheet	-	502827
Mounting screws M12x30 stainless steel	-	507257



Bracket for round mast

Bracket for round mast, made on demand. Includes 1 clamp.
Material: galvanised steel or stainless steel

Model	Diameter (cm)	Length (mm)	Material	Product Code
D114.3 - L249 - G	114.3	249	Hot-Dip Galvanised Steel	525957
D139.7 - L190 - G	139.7	190	Hot-Dip Galvanised Steel	526617
D146 - L220 - G	146	220	Hot-Dip Galvanised Steel	529987
D159 - L390 - G	159	390	Hot-Dip Galvanised Steel	527087
D231 - L240 - G	231	240	Hot-Dip Galvanised Steel	523837
D241 - L240 - G	241	240	Hot-Dip Galvanised Steel	523827
D244.5 - L202 - G	244.5	202	Hot-Dip Galvanised Steel	524267
D265 - L279 - G	265	279	Hot-Dip Galvanised Steel	523637
D300 - L325 - G	300	325	Hot-Dip Galvanised Steel	521727



Bracket for shaft

Bracket dedicated for installation in shaft with limited dimension

Model	Diameter d (mm)	Weight (kg)	Product Code
Galvanised	10.5	0.8	503198
Galvanised	14	0.8	503208
Stainless steel	10.5	0.8	506667
Stainless steel	14	0.8	503218

FABA A11

Bracket for rail

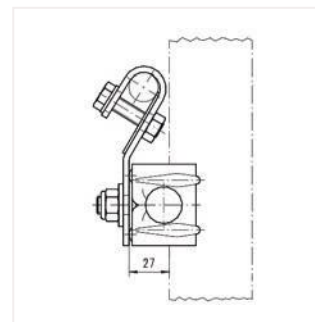
Bracket centrally mounted on step iron

Only for single step iron

Diameter of the step iron between 19 and 22 mm. For step iron with a diameter of more than 20 mm, the spacer is removed during installation.

Installation on the middle of existing step irons

Model	Construction material	Weight (kg)	Product Code
Step iron bracket	Stainless steel 316	0.7	503187



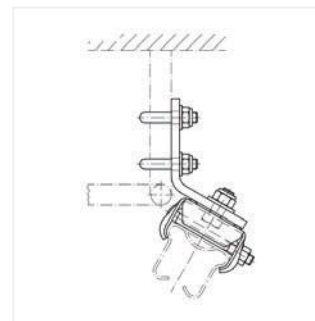
Bracket mounted sideways on step iron

Only for single step iron

Diameter of the step iron between 19 and 22 mm. For step iron with a diameter of more than 20 mm, the spacer is removed during installation.

Installation on the side of existing step irons

Model	Construction material	Weight (kg)	Product Code
Lateral step iron bracket	Hot-Dip Galvanised Steel	1.2	503038
Lateral step iron bracket	Stainless steel 316	1.2	503048



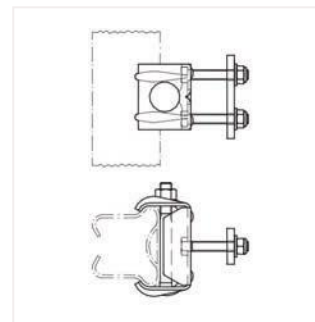
Central bracket on rungs


For bracket spacing, see leaflet BGI 691 (old ZH 1/604).


Clamping range up to 60 mm.


Installation on the rungs of an existing ladder.

Model	Rungs diameter (mm)	Weight	Material (kg)	Product Code
Bracket 30mm	30	Stainless steel	0.7	503477
Bracket 40mm	40	Stainless steel	0.7	502308
Bracket 50mm	50	Stainless steel	0.7	502318
Bracket 60mm	60	Stainless steel	0.7	503328
Bracket 30-60mm	-	Stainless steel	0.4	502888



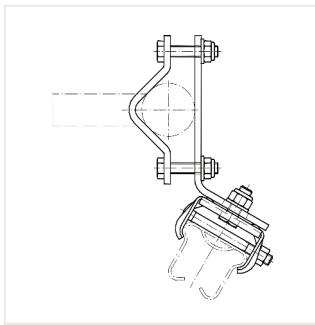
 Order products on day 1, will be shipped no later than day 2,

 Order products on day 1, will be shipped no later than day 6. Maximum quantities apply for this service.

 Available on request. Please enquire about delivery times of these items.

FABA A11

Brackets for rail for installation on side bars of existing ladders

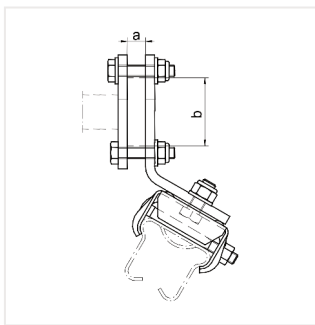


Installation on round side bars

Bracket for the installation of FABA rail on the side profile (which must be round) of an existing ladder.

- Brackets for anchoring FABA A11 fall arrest rails.
- Dimensions: 3 different models are available for a diameter between 33mm and 80mm.
- Materials: Galvanised steel and stainless steel.
- Supplied with 1x clamp

Model	Product Code
Lateral bracket on round side bars, galvanised, Ø33-50mm	503058
Lateral bracket on round side bars, galvanised, Ø60-80mm	505457
Lateral bracket on round side bars, stainless steel, Ø34-55mm	503068
Lateral bracket on round side bars, stainless steel, Ø60-80mm	505467





Installation on rectangular side bars


- Brackets for anchoring FABA A12 fall arrest rails.
- Dimensions: 6 different models are available.
- Materials: Galvanised steel and stainless steel.
- Supplied with 1x M12 x 35mm screw kit.

Each bracket is designed to fit a different side bar size. Dimensions a and b must be checked on the existing ladder to select the corresponding bracket.

Side rail dimension (cm)	Galvanised	Stainless steel	Galvanised	Stainless Steel	Galvanised
	Code	Code	Code	Code	Code
a	b = 40-60mm	b = 40-60mm	b = 61 - 80 mm	b = 61 - 80 mm	b=81-100mm
6-20 mm	503888	503948	503918	503978	513938
21-30 mm	503898	503958	503928	503988	513948
31-50 mm	503908	503968	503938	503998	513958

 Order products on day 1, will be shipped no later than day 2,

 Order products on day 1, will be shipped no later than day 6. Maximum quantities apply for this service.

 Available on request. Please enquire about delivery times of these items.

FABA A11

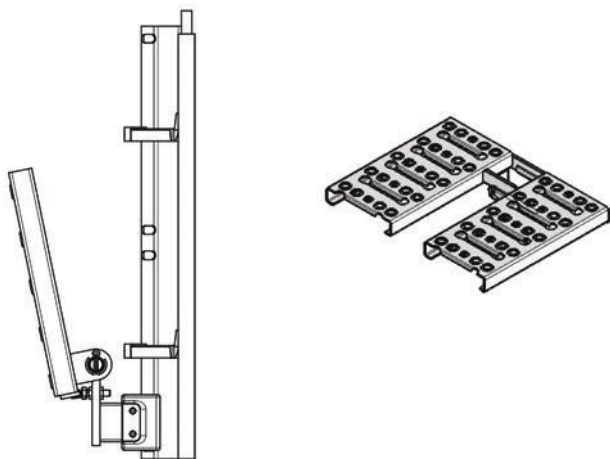
Rest platform

Pivotable rest platform

- For FABA A11 climbing protection ladders or rail (centrally installed on existing rungs).
- The platform pivots behind the ladder or rungs

The platform is clamped to the rail, no fastening to the structure required.

Materials: Galvanised steel and stainless steel.



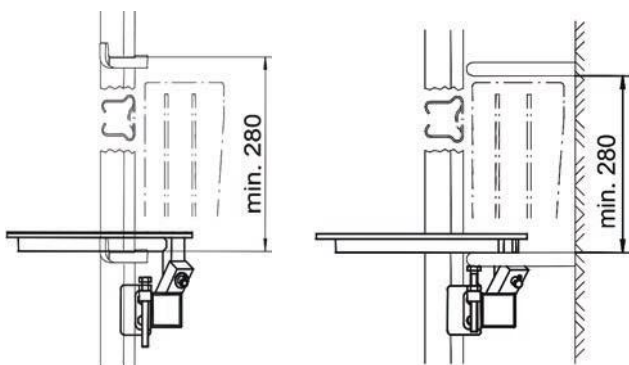
Model	Product Code
Galvanised for ladder	526507
Stainless steel for ladder	527097
Galvanised for rail	528317

Foldable rest platform


- For all FABA A11 climbing protection ladders, and rail installed centrally on the rungs (minimum distance of 280mm between rungs needed).
- For all FABA A11 climbing protection rails installed on side of step irons Only with bracket: 503038 or 503048.


The platform is clamped to the rail, no fastening to the structure required.


Materials: Galvanised steel and stainless steel.



Model	Weight (kg)	Product Code
Galvanised	8	507465
Stainless steel	7.5	507455

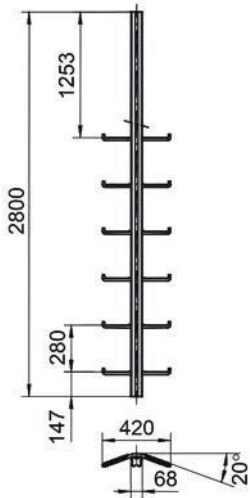
 Order products on day 1, will be shipped no later than day 2,

 Order products on day 1, will be shipped no later than day 6. Maximum quantities apply for this service.

 Available on request. Please enquire about delivery times of these items.

FABA A11

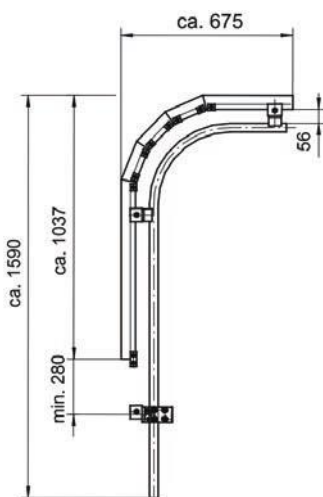
Step-overs



Straight step over

- Stepping over onto a platform at the top of an access ladder, e.g. grating platform with folding grating.
- The climbing protection ladder has no rungs at the top.
- The step-over is fixed to the structure with at least 2 brackets.
- Always install a detachable catch at the upper end.
- Order detachable catch separately.

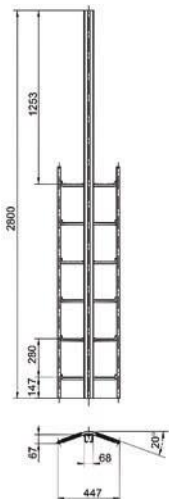
Model	Weight (kg)	Product Code
Galvanised version	19	501648
Stainless steel version	19	501668



Curved step over

- Climbing over to a standing surface at the top of a ladder, e.g. climbing over to the roof.
- The curved step-over is fixed to the structure with a bracket.
- Always install a detachable catch at the upper end.
- Order detachable catch separately.


Model	Weight (kg)	Product Code
Galvanised version	15.5	504228
Stainless steel version	15.5	504238





Straight step over with sidebars

- Stepping over onto a platform at the top of an access ladder, e.g. grating platform with folding grating.
- The climbing protection ladder has no rungs at the top.
- The step-over is fixed to the structure with at least 2 brackets.
- Always install a detachable catch at the upper end.
- Order detachable catch separately.

Model	Weight (kg)	Product Code
Galvanised version	19	501768
Stainless steel version	19	501788

 Order products on day 1, will be shipped no later than day 2.

 Order products on day 1, will be shipped no later than day 6. Maximum quantities apply for this service.

 Available on request. Please enquire about delivery times of these items.

FABA A11

Components

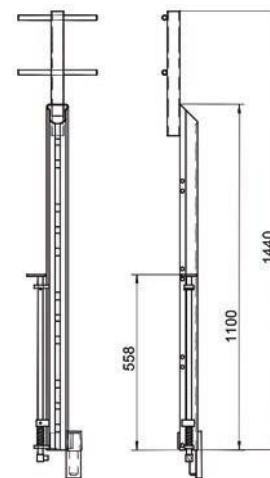
Confined Access Accessory

Specially designed for confined access or covered climbing facilities with FABA™ climbing protection A11.

In order to enter a confined access while maintaining an ergonomic, upright body posture, the entry aid is placed on the existing A11 climbing protection system and removed after the work has been completed. The user is therefore able to secure him/herself while still standing beside the opening to the confined space.

This system may only be used in conjunction with the dedicated coupling or connector.

Model	Product Code
Portable entry aid	503805
Coupling for entry aid	508245
Connector	509437



90° pivoting entry-exit section

The pivoting entry and exit allows an easy insertion and retrieval of the slider. It can be installed at any point of the climbing walkway where a safe release from the climbing protection is guaranteed (e.g. platforms).

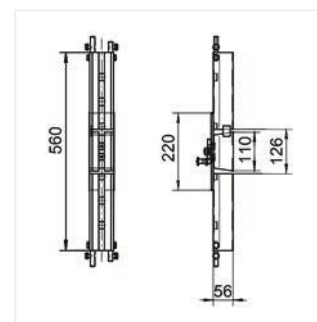
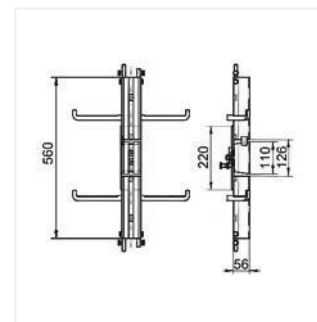
It should be positioned approx. 1100 mm above the stand surface.

The rail centre section can be turned by 90° and the slider can be retrieved on the side.

Straight connectors are pre-mounted at each end of the component.

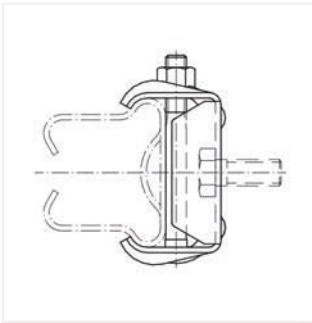
The pivoting entry and exit must be fastened to the structure with a bracket.

Model	Length (mm)	Weight (kg)	Product Code
Galvanised for ladder	560	4.9	508847
Stainless steel for ladder	560	4.9	504078
Galvanised for rail	560	3.4	504108
Stainless steel for rail	560	3.4	504118



FABA A11

Components

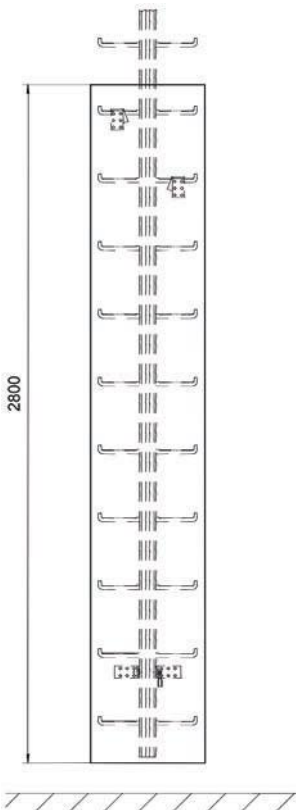


Clamp

Fixing clamp for FABA A11.

Screw set must be ordered separately.

Model	Product Code
Metal sheet	502827
Mounting screws M12x30 stainless steel	507257



Access restriction

The purpose of the access restriction is to have an element that makes it impossible for unauthorised personnel to access the fall arrest system.

Material: Aluminium.

Model	Weight (kg)	Product Code
Aluminium cover plate	11.2	508145



Sign plate

The sign plate is mandatory component of any fall protection system.

It must be installed near the access of the system.

It includes the installation reference, the compatible sliders and the year of installation.

Material: aluminium

Model	Product Code
Sign plate	523887

Confined space access



Confined access range



Davitrac - Davit arm



- Permanent anchor point (2 users of 150 kg each), compatible for working suspended on rope
- Lifting anchor point complying with machinery standards 2006/42/CE - WLL : 500 kg
- Permanent or semi-permanent installation
- Manual or motorised lifting
- Several bases available

Davimast - Anchor mast



- Permanent anchor point (2 users of 150 kg each)
- Lifting anchor point complying with machinery standards 2006/42/CE - WLL : 250 kg
- Permanent or semi-permanent installation
- Manual
- Compatible with davitrac bases

Tracpode - Tripod



- Material and people lifting (compatible for work in suspension)
- 150 kg people / WLL 500 kg material
- Semi-permanent installation
- Rugged mobile solution
- Manual and motorised

Tracrod - Anchor rod



- Permanent anchor point (150 kg)
- Semi-permanent installation
- Manual

FABA - Ladder with integrated fall arrest



Confined Access configurator

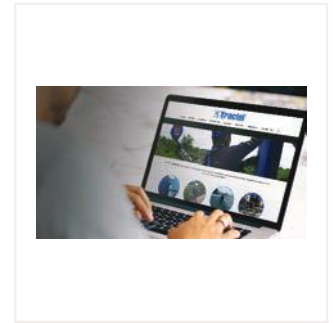
Solution provider for confined access

Tractel®'s experience puts it at the forefront of providing safe, reliable and easy-to-use equipment for installation and maintenance.

A complete product range, combined with extensive expertise and experience in compliance to standards, as well as an online solution configurator make Tractel® the perfect partner.

To guide you in choosing the right solution for your needs, we have developed a **dedicated Confined Space Configurator**. Depending on your application, our special configurator will help you choose the right solution to work safely in confined spaces.

As safety in confined spaces is a key challenge, trust the experts for safe and unique solutions; Trust Tractel®.



Confined space solutions

Not sure what you need?

Tractel® will analyse your situation in order to propose the best solution.

[Product selection](#)

Already know your ideal solution?

If you already know what product you need, you can configure it according to your confined access needs.

[Configure & quote](#)

Want to view the complete Tractel® range?

You can view all Tractel® products related to the Confined Space range to learn more about each product.

[View Catalogue](#)

Scan this QR Code, discover our configurator and find the best solution for your need.



Davitrac

Davit arm for confined space entry, safe lifting solution

NEW

Integrate this product using **BIM and 3D files**. Access downloads on the product page of our website.



EN795 & Machine directive 2006/42/CE

The Davitrac is a complete solution for safe vertical lifting of personnel and material in confined space situations.

Mobile and efficient solution for confined space situations.

It offers protection and total mobility for two people simultaneously, during work involving risk of falling

Its compatibility with the Tractel tool range allows a large number of possible configurations.

Technical characteristics:

- Weight: 30 kg (without accessories & bases)
- Anchor points for fall arresters (2 users): 150kg each
- Maximum load capacity (materials): WLL 500 kg
- 360° rotating mast (with locking every 90° or 180° when using H-Base)

Standards:

- Individual protection of operators against falls (EN 795 Class A and/or B + EN 360)
- CEN/TS 16415:2013 (Fall arrest for 2 users).
- EN 1496
- Machine Directive 2006/42/CE (Material lifting).

Compatibles applications:

- Rescue
- Confined spaces access
- Rope works
- Manholes
- Pits
- Sewer access
- Pipes
- Oil and gas
- Civil engineering
- Industry
- Wind and solar installation

Model	Material	Weight (kg)	Product Code
Davitrac	Aluminium	29.5 kg	286819
Transport bag	Textile	0.500 kg	84582





The trolley for Davitrac – Davimast is designed for the safe and ergonomic transport of davitrac or davimast confined-space anchor points to the working area. It can be used by one operator easily, reducing the amount of effort required.


It is made of carbon steel, coated with an anti-corrosion painting. On the inner part of the transport arm there is a silicon layer, to protect the painting and reduce the risk of scratching and wearing.

It has two independent rubber wheels, which allows its operation on any type of ground.

Model	Product Code
Trolley for Davitrac - Davimast	210618

 Order products on day 1, will be shipped no later than day 2,

 Order products on day 1, will be shipped no later than day 6. Maximum quantities apply for this service.

 Available on request. Please enquire about delivery times of these items.

Davitrac

Several solutions with Tractel® product range

For lifting materials and rescuing people



caRoI™ TE with bracket

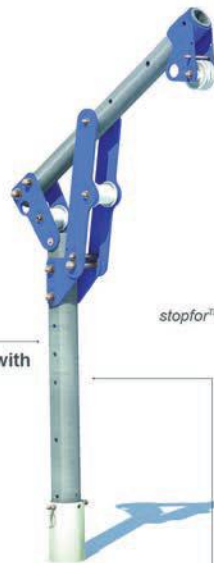
caRoI™ MO with bracket

- Manual winches (caRoI™)
- Motorised winches (caRoI™)
- Complete with bracket



scafor® with bracket

- Hand-operated wire rope hoist with stirrup adapter (scafor)
- Complete with bracket



stopfor™ KS

- Fall arresters on a flexible anchor line (stopfor™)
- Controlled speed descent evacuation system (derope™)

derope™

- Automatic fall arresters with integrated winch (blocfor™ R)
- Complete with bracket

Material handling without height limitation

- Traction hoists (tirak™)
- Lifting hoists (minifor™)
- Manual chain hoists (tralift™)



tirak™

minifor™

tralift™



blocfor™ 30R
blocfor™ 20R with bracket



Perfectly suitable for rescuing people



Davitrac

Adapters

Permanent adapters for Davitrac

Permanent adapters



Mounted floor adapter



Clearance mural adapter



Flush floor adapter



Wall mounted adapter

Model	Material	Weight (kg)	Product Code
Mounted floor adapter	Galvanised Steel	12.7 kg	210108
Clearance mural adapter	Galvanised Steel	18.7 kg	210128
Flush floor adapter with protective cap	Galvanised Steel	10.7 kg	210138
Wall mounted adapter	Galvanised Steel	13.7 kg	210118
Mounted floor adapter Stainless steel	Stainless Steel	13.4 kg	218008
Clearance mural adapter Stainless steel	Stainless Steel	15.6 kg	218018
Protective cap for adapters	Plastic	0.2 kg	294129

Portable H base self-stabilizing for Davitrac

Model	Material	Weight (kg)	Product Code
Portable H base self-stabilizing	Aluminium	53 kg	210098



● Order products on day 1, will be shipped no later than day 2.

● Order products on day 1, will be shipped no later than day 6. Maximum quantities apply for this service.

○ Available on request. Please enquire about delivery times of these items.

Davitrac counterweight base



The **Davitrac counterweight base** is designed to meet the needs of professionals working in environments where a fixed base is impossible or unsuitable. Mobile, detachable, and lightweight, it allows for the rapid deployment of a Davitrac jib without drilling or permanent anchoring. With its lockable wheels, adjustable feet, and robust anodized aluminum construction, it provides optimal stability on any type of terrain, even in the most demanding conditions.

Ideal for work on flat roofs, facades, industrial sites, confined spaces, or sensitive urban construction sites, it offers a solution that protects existing structures while providing a reliable and secure anchoring point. Compliant with European standards (EN795 E:2012, TS16415:2013, Machinery Directive 2006/42/EC), the counterweight base is suitable for fall protection applications as well as lifting operations with a maximum working load of up to 500 kg.

Its smart design allows tool-free assembly, easy transport thanks to its weight trolley, and maximum adaptability to different work sites. With Davitrac, you gain efficiency, safety, and mobility, all while respecting the constraints of your working environments.

Model	Weight (kg)	Product Code
Counterweight base	109 kg	221128
Counterweight kit	400 kg	221138
25 kg counterweight	25 kg	00378

Portable H base self-stabilizing for Davitrac

Portable H self stabilizing base to be used when a fixed base can't be installed definitely. Perfect transportable solution for fall protection as well as material lifting. Its adjustable base allows it to be used for any type of standard confined access.

Model	Material	Weight (kg)	Product Code
Portable H base self-stabilizing	Aluminium	53 kg	210098



Order products on day 1, will be shipped no later than day 2

Order products on day 1, will be shipped no later than day 3. Maximum quantities apply for this service.

Available on request. Please enquire about delivery times of these items.

Davitrac

Accessories: safety & rescue



Blocfor with bracket for Davitrac

EN360 - EN1496

Electric winch designed for simple lifting and pulling applications (**2006/42/CE**), ideal to replace a manual winch.

Can be easily integrated on the davitrac, without tools.

- Drum in mechanically welded steel
- Limit switch
- Capacity : 500kg max (depending of the model)
- The winch cable is guided by equipped pulleys with an anti-jump cable fixed on the head of the davitrac.

Model	Weight (kg)	Length (cm)	Product Code
Blocfor 20R Evo galva ESD with bracket for Davitrac - 150kg range	15.6	18	84122
Blocfor 20R Evo Inox with bracket for Davitrac - 150kg range	15.6	18	84132
Blocfor 30R galva ESD with bracket for Davitrac - 150kg range	24	30	84142
Blocfor 30R inox with bracket for Davitrac - 100kg range	24	30	84152



caRol R with bracket for Davitrac

EN1496 - Directive 2006/42/CE

Rescue winch compliant with **EN 1496**, with a maximum load of 150 kg.

Carol R winch 150kg also meets the requirements of hoisting winches with a maximum load of 250 kg (**Directive 2006/42/CE**).

Can be easily integrated on the Davitrac, without tools.

Allows to secure an operator up to 150 kg, equipped with his tools. Can also be used for lifting materials with a capacity of 250kg.

- Available cable lengths of 20m and 30m
- The winch cable is guided by equipped pulleys with an anti-jump cable fixed on the head of the Davitrac.

Model	Weight (kg)	Product Code
CaRol R 250kg with 20m of galvanized cable and bracket for Davitrac	28.9	286949
CaRol R 250kg with 30m of galvanized cable and bracket for Davitrac	36.1	286959

Scafor with bracket for Davitrac

EN1496 - Directive 2006/42/CE

Rescue winch compliant with **EN 1496**, with a maximum load of 150 kg.

Scafor also meets the requirements of hoisting winches with a maximum load of 500 kg (**Directive 2006/42/CE**).

Can be easily integrated on the davitrac, without tools.

Allows to secure an operator up to 150 kg, equipped with his tools. Can also be used for lifting materials with a capacity of 500kg. Thanks to its pass-through cable winch technology, it permits the installation of very long cables of more than 30m.

- The Scafor cable is guided by equipped pulleys with an anti-jump cable fixed on the head of the Davitrac.

To secure the work of an operator on a length greater than 30m, use a Stopfor fall arrester with a suitable length of rope.



Model	Weight (kg)	Product Code
Scafor R 500kg without cable - with bracket for Davitrac	13.6	293019
Galvanized wire rope - Ø 6, 5mm - 20m - equipped with M47 - for Scafor	5	245899
Galvanized wire rope - Ø 6, 5mm - 30m - equipped with M47 - for Scafor	6.8	245909
Galvanized wire rope - Ø 6, 5mm - 40m - equipped with M47 - for Scafor	8.6	245919
Galvanized wire rope - Ø 6, 5mm - 50m - equipped with M47 - for Scafor	10.5	245929
Galvanized wire rope - Ø 6, 5mm - 60m - equipped with M47 - for Scafor	12.3	286929
Galvanized wire rope - Ø 6, 5mm - 70m - equipped with M47 - for Scafor	14.1	286939



Order products on day 1, will be shipped no later than day 2,



Order products on day 1, will be shipped no later than day 6. Maximum quantities apply for this service.



Available on request. Please enquire about delivery times of these items.

Davitrac

Accessories : lifting



caRol TS 500 - lifting materials - with 18m of galvanized cable and bracket for Davitrac

2006/42/CE

Manual designed for simple lifting and pulling applications (2006/42/CE).

Can be easily integrated on the davitrac, without tools. The winch cable is guided by equipped pulleys with an anti-jump cable fixed on the head of the Davitrac.

Model	Product Code
caRol TS 500 - with 18m of galvanized cable and bracket for Davitrac	286989



caRol MO with console for Davitrac - lifting materials

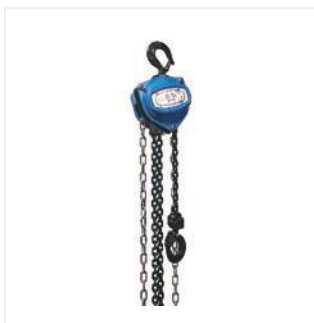
2006/42/CE

Electric winch designed for simple lifting and pulling applications (**2006/42/CE**), ideal to replace a manual winch.

Can be easily integrated on the davitrac, without tools.

- Drum in mechanically welded steel
- Limit switch
- Capacity : 500kg max (depending of the model)
- The winch cable is guided by equipped pulleys with an anti-jump cable fixed on the head of the davitrac.

Model	Product Code
CaRol MO 500 - lifting materials - with 13m of galvanized cable and bracket for Davitrac	293009





Tralift


The Tralift manual hand chain hoist has a unique Tractel design which is compact, light yet robust, able to tackle the most extreme lifting conditions.

- Compact and lightweight
- Robust design with cast steel safety catches
- Easily portable for use anywhere
- Swivel hook with overload indication and robust cast steel safety catches

Model	Product Code
Tralift 500kg - 10m	286849

 Order products on day 1, will be shipped no later than day 2,

 Order products on day 1, will be shipped no later than day 6. Maximum quantities apply for this service.

 Available on request. Please enquire about delivery times of these items.

Davimast equipped with 2 anchor points 360° to secure persons

EN 795-A - CEN/TS 16415

- Anchor point with a maximum capacity of 2 operators of 150 kg each.
- Bracket equipped with 2 anchor points 360°.
- Lightweight, easy storage, transport and set-up
- No tools required for assembly
- Uses the same bases as the davitrac (except self-stabilizing base)



Model	Product Code
Davimast - mast	210188
bracket with 2 anchor points	210198



Davimast equipped with Blocfor R fall arrest and rescue system

EN360 - EN1496

Automatic fall arrester (**EN360**) with rope (galvanised or stainless steel), with integrated winch (**EN1496**).

Can be easily integrated on the davimast, without tools.

Anchor point with a maximum capacity of 2 operator of 150 kg.

Standards:

- EN 795-A : 2012 (bracket + base anchor point)
- CEN/TS 16415:2013-B (bracket + base multiuser).
- EN 1496 / EN 360 (blocfor™ R)



Model	Weight (kg)	Length (cm)	Product Code
Davimast - mast	9.7 kg	-	210188
Blocfor 20R Evo galva ESD with bracket for Davimast - 150kg range	21.5 kg	20	84362
Blocfor 20R Evo inox with bracket for Davimast - 150kg range	21.3 kg	20	84372
Blocfor 30R galva ESD with bracket for Davimast - 150kg range	29.9 kg	30	84382
Blocfor 30R stainless steel with bracket for Davimast - 100kg range	29.6 kg	30	84392





Davimast with Carol TS 250 winch for lifting material

Machine directive 2006/42/CE - EN795-A - CEN/TS 16415

The Davimast equipped with Carol TS 250 Winch for lifting material serves as a comprehensive material handling and personnel protection system specifically engineered for confined space applications. This configuration combines manual winch capabilities for 250 kg material lifting with integrated PPE anchor point supporting 150 kg operator loads, ensuring dual-purpose functionality across silos, sewers, and elevated access scenarios. The system provides essential lifting infrastructure whilst maintaining personnel safety throughout material handling operations.

Advanced engineering centres on Carol TS 250 manual winch with available cable lengths of 20 m or 30 m, featuring guided cable systems through equipped pulleys with anti-jump technology fixed to Davimast head. The bracket-equipped configuration enables tool-free integration on Davimast whilst maintaining compliance with Machine

Directive 2006/42/CE, EN 795-A:2012, and CEN/TS 16415:2013 standards. Operator protection through dedicated PPE anchor point allows surface personnel security during material lifting operations.

Primary applications include confined space material lifting, industrial environments requiring combined lifting and personnel protection capabilities, and operations where elevated anchor points are essential for both material handling and operator safety. Compatible with Davimast base adapter configurations, the system accommodates diverse installation scenarios whilst providing operational flexibility through modular bracket design. Enhanced safety through dual-purpose functionality ensures comprehensive protection across demanding confined space material handling applications requiring both lifting capability and personnel protection.

Model	Product Code
Davimast - mast	210188
CaRol TS 250kg with 20m of galvanized cable galva and bracket for davimast	293799
CaRol TS 250kg with 30m of galvanized cable galva and bracket for davimast	293809

Adapters

Model	Material	Weight (kg)	Product Code
Mounted floor adapter	Galvanised Steel	12.7 kg	210108
Clearance mural adapter	Galvanised Steel	18.7 kg	210128
Flush floor adapter with protective cap	Galvanised Steel	10.7 kg	210138
Wall mounted adapter	Galvanised Steel	13.7 kg	210118
Mounted floor adapter Stainless steel	Stainless Steel	13.4 kg	218008
Clearance mural adapter Stainless steel	Stainless Steel	15.6 kg	218018



Mounted floor adapter



Clearance mural adapter



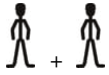
Flush floor adapter



Wall mounted adapter

Tracrod 150 kg

EN795-A - CEN/TS16415 (2 users)



The Tracrod 150 kg anchor rod is a transportable anchor point which enables two operators, each weighing up to 150 kg operator + harness + tool, to work in safety.

To install it ready for use, the Tracrod 150 kg anchor rod is inserted into a stainless steel support mount which is secured in place permanently at the place of work.

The Tracrod anchor rod can be removed from the support mount. Its compact dimensions and light weight means that it can be transported in small vehicles and is easy to handle.

Tracrod 150 kg anchor rod is intended for persons who need to gain access via manholes to structures such as storage silos, sewers, etc.

The head of the Tracrod 150 kg anchor point is equipped with 2 anchor points.

As an option, it can be fitted with a bracket to support a Blocfor 20R or 30R

The Tracrod Handle bar is an accessory that attaches to the Tracrod.

It improves the access to the manhole by providing additional handles while entering or exiting.



Tested to stop the fall of
2 users, 150 kg

Model	Product Code
Tracrod 150 kg anchor rod	207128
Support mount	207118
Securing plate	207368
Universal low density structure base (to suit curved or straight structure)	210588
Chair base tracrod	210598
5 cm thick spacer block	207358
10 cm thick spacer block	218118
Handle bar	N 86642

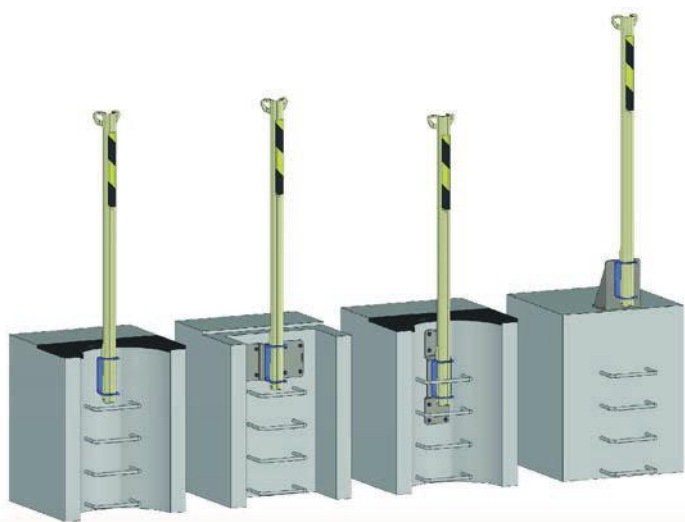


Image 1 : Support mount (207118)

Image 2 : Securing plate (207368)

Image 3 : Universal low density structure base (to suit curved or straight structure) (210588)

Image 4 : Chair base (210598)

● Order products on day 1, will be shipped no later than day 2,

● Order products on day 1, will be shipped no later than day 6. Maximum quantities apply for this service.

○ Available on request. Please enquire about delivery times of these items.

Tracrod

Accessory for climbing in & out of manhole



Blocfor with bracket for Tracrod

EN360 - EN1496 - CNB/P/11.062

The Blocfor with bracket for Tracrod serves as an integrated fall arrest and rescue system specifically engineered for Tracrod anchor point applications in confined space environments. This system combines automatic fall arrester functionality with integrated rescue winch capabilities, supporting operators up to 150 kg including tools whilst providing essential fall protection during manhole access and confined space operations. The painted steel bracket enables tool-free installation and removal within seconds on the Tracrod head.

Advanced engineering centres on automatic fall protection device with integrated winch enabling ascending or descending during rescue operations through bi-directional capabilities. The shock-absorption ESD system ensures maximum impact force remains below 600 daN even when cable is fully unwound whilst serving as fall indicator for device integrity monitoring. Cable guidance through equipped pulleys with anti-jump technology fixed to Tracrod head provides reliable operation across 10 m, 20 m or 30 m cable configurations.

Primary applications include confined space access protection, manhole operations, and industrial environments requiring integrated fall arrest with immediate rescue capabilities on Tracrod systems. Compatible with Blocfor 10R EVO ESD, 20R EVO ESD, 30R ESD configurations, the system accommodates diverse operational requirements whilst maintaining compliance with EN 795A/2012, EN 360, and EN 1496 standards. Enhanced operational safety through automatic fall protection combined with rapid rescue functionality ensures comprehensive personnel protection across demanding confined space access applications.

Model	Weight (kg)	Product Code
Bracket + Blocfor 20R Evo ESD Galva 150 kg	16.5	81492
Bracket + Blocfor 20R Evo ESD stainless steel 150 kg	16.5	84412
Bracket + Blocfor 30R ESD Galva 150 kg	24.5	81502
Bracket + Blocfor 30R ESD stainless steel 150 kg	24.5	84422
Blocfor bracket	4,5	207108

caRol EX with bracket for Tracrod


EN13157 - Directive machine 2006/42/CE


Manual drum winch and its bracket.


- Can be easily integrated on the tracrod, without tools.
- Ergonomic crank
- 24 m of wire rope



Model	Product Code
Bracket + CaRol EX for Tracrod	294249

 Order products on day 1, will be shipped no later than day 2,

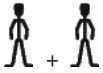
 Order products on day 1, will be shipped no later than day 6. Maximum quantities apply for this service.

 Available on request. Please enquire about delivery times of these items.

EN795-B - Machine directive 2006/42/CE



Tracpode 150 kg is a temporary anchor point.



It is tested to stop the fall of two operators weighing 150 kg each; including the weight of their equipment and tools. It allows two users to work safely.

It may also be used as an anchor point for lifting with the ability to lift a maximum load of 500 kg.

It can be folded up and it is small enough to be transported in light "site vehicles". It is easy to handle.

The Tracpode 150 kg is intended for persons who need to access confined spaces such as storage silos, sewers, etc.

Tracpode

- Adjustable to 1.53m - 1.72m - 1.91m - 2.10m - 2.29m - 2.48m (height)
- Width (depending on the height) : 1.20m - 1.33m - 1.46m - 1.59m - 1.72m - 1.85m

Model	Weight (kg)	Product Code
Tracpode	23	273739
Tracpode + PPE pulley kit	24,38	273749
Tracpode + 2 PPE pulley kits	25,76	273769
Tracpode + 1 PPE pulley kit + 1 lifting pulley kit	25,76	273779
Tracpode + 2 PPE + 1 lifting pulley kits	27,14	273789
PPE pulley kit	1,38	196968
Lifting pulley kit	1,38	196958



Integrate this product using **BIM and 3D files**. Access downloads on the product page of our website.



Tracpode - short model

- Adjustable to 1.28m - 1.47m - 1.66m - 1.85m - 2.04m - 2.23m (max height)
- Width (depending of the height choosed) : 1.01m - 1.15m - 1.28m - 1.41m - 1.54m - 1.67m

Model	Weight (kg)	Product Code
Tracpode - short model	21,4	278039
Tracpode + PPE pulley kit	22,78	278049
Tracpode + 2 PPE pulley kits	24,16	278059
Tracpode + 1 PPE pulley kit + 1 lifting pulley kit	24,16	293999



Tracpode 150kg confined space kits

Tracpode 150kg and accessories can be purchased as part of a Confined Space Kit, each containing:

- Tracpode 150kg (2 PPE pulleys, 1 lifting pulley),
- HT22 R rescue harness

Plus a selection of options:

- Blocfor 20 R + bracket
- Blocfor 30R + bracket
- Carol TS250 wire rope drum winch + bracket + rope
- Carol TS500 wire rope drum winch + bracket + rope



Model	Description	Product Code
CSK 2 150kg	Tracpode 150kg (2 PPE pulleys, 1 lifting pulley). HT22 R Rescue Harness (M), Blocfor 20R ESD 150kg M47, Bracket for blocfor 20R	478060
CSK 3 150kg	Tracpode 150kg (2 PPE pulleys, 1 lifting pulley). HT22 R Rescue Harness (M), blocfor 30R ESD 150kg M47, Bracket for blocfor 30R	478070
CSK 4 150kg	Tracpode 150kg (2 PPE pulleys, 1 lifting pulley). HT22 R Rescue Harness (M), blocfor 20R 150kg ESD M47, Bracket for blocfor 20R, Carol TS250 150kg with bracket, Carol rope 20m	478080
CSK 7 150kg	Tracpode 150kg (2 PPE pulleys, 1 lifting pulley). HT22 R Rescue Harness (M), blocfor 30R 150kg ESD M47, Bracket for blocfor 30R, Carol TS500 150kg with bracket, Carol rope 30m	478101



Tracpode

Accessories: safety & rescue

Blocfor with bracket for Tracpode

EN360 - EN1496 - CNB/P/11.062

Automatic fall arrester (**EN360**) with rope (galvanised or stainless steel), with integrated winch (**EN1496**).

Can be easily integrated on the Tracpode, without tools.

Allows to secure an operator up to 150 kg, equipped with his tools.

- Integrated winch : Automatic fall protection device with integrated winch for ascending or descending during a possible rescue operation.
- Shock-absorption system ESD : is also a fall indicator, eliminating the risk of using the device after a fall. It ensures that the user will not be subjected to an impact of more than 600 daN even if the fall occurs when the cable is fully unwound.
- The Blocfor cable is guided by equipped pulleys with an anti-jump cable fixed on the head of tracpode.

Model	Weight (kg)	Product Code
Blocfor 30R - galvanised - 150kg range - without bracket	14.3	75502
Blocfor 30R I - stainless steel - 100kg range - without bracket	14.3	42972
Blocfor leg bracket	3	200368



Carol R with bracket for Tracpode

EN1496 - CNB/P/11.062 - 2006/42/CE

Rescue winch compliant with **EN 1496**, with a maximum load of 150 kg.

Carol R winch 150kg also meets the requirements of hoisting winches with a maximum load of 250 kg (**Directive 2006/42/CE**).

Can be easily integrated on the tracpode, without tools.

Allows to secure an operator up to 150 kg, equipped with his tools. Can also be used for lifting materials with a capacity of 250kg.

- Rescue winch.
- Lifting material winch.
- 250 kg capacity for materials handling
- 5 mm galvanised \varnothing cable length available in 20 m and 30 m.
- Rotation-resistant wire rope
- Can be used for work in suspension, if you use a second safety fall arrest conforming to EN 360
- The winch cable is guided by equipped pulleys with an anti-jump cable fixed on the head of tracpode.

Model	Product Code
Carol 20 + leg bracket + 20m cable	280589
Carol 30 + leg bracket + 30m cable	280599
Carol leg bracket	200378



Tracpode

Accessories: safety & rescue



Derope with bracket for Tracpode

EN341 - EN1496

The Derope with Bracket for Tracpode provides controlled-speed evacuation and rescue winch capability specifically designed for Tractel Tracpode tripod mounting systems. This specialised descent device accommodates single person evacuation up to 150 kg for heights reaching 400 metres, or dual person evacuation up to 225 kg for heights up to 200 metres. The integrated rescue winch enables both downward evacuation and upward recovery operations with comprehensive emergency response functionality.

Manufactured with aluminium body and winch construction paired with zinc-plated steel mechanism for reliable performance. The device weighs 6.5 kg with dimensions of 485 mm height and 265 mm width, featuring a dedicated painted steel Console R bracket for Tracpode tripod mounting. Descent speed stabilises at maximum 2 metres per second across load ranges from 30 kg to 225 kg.

Applications include portable rescue operations, confined space rescue, and elevated industrial rescue scenarios where Tracpode tripod systems provide optimal positioning and stability. The dedicated bracket ensures secure mounting on Tractel Tracpode tripods whilst the rescue winch enables professional rescue operations. Compatible with 10.5 mm polyamide rope and comprehensive storage bag options for complete portable rescue system deployment.

Model	Product Code
Derope with bracket for Tracpode	87498

Rope (1m) upon request, contact our Sales support team.



Drill attachment

The UP range is equipped with a drill attachment for use with a battery operated drill of 14 V, 300 W.

The Derope UP descender can be used with a battery powered drill, opening up many more applications for the product.

- The drill attachment enables the fast lifting of a person over a great height in a rescue operation or vertical displacement. It is recommended for companies that work in silos, tanker vats, drains, etc.
- The Derope UP descender can be used to move rope access technicians and raise them, effortlessly, to a greater height. It is ideal for window cleaners, bill stickers and aerial installers.

Tracpode

Accessories: safety & rescue

Scafor with bracket for Tracpode

EN 1496 - 2006/42/CE

Rescue winch compliant with **EN 1496**, with a maximum load of 150 kg.

Scafor also meets the requirements of hoisting winches with a maximum load of 250 kg (**Directive 2006/42/CE**).

Can be easily integrated on the leg of Tracpode, without tools.

Allows to secure an operator up to 150 kg, equipped with his tools. Can also be used for lifting materials with a capacity of 250kg. Thanks to its pass-through cable winch technology, it permits the installation of very long cables of more than 30m.

- The Scafor cable is guided by equipped pulleys with an anti-jump cable fixed on the head of the Tracpode.



Model	Product Code
Scafor 250kg without cable - with bracket for tracpode	251079
Galvanized wire rope - Ø 6, 5mm - 20m - equipped with M47 - for Scafor	245899
Galvanized wire rope - Ø 6, 5mm - 30m - equipped with M47 - for Scafor	245909
Galvanized wire rope - Ø 6, 5mm - 40m - equipped with M47 - for Scafor	245919
Galvanized wire rope - Ø 6, 5mm - 50m - equipped with M47 - for Scafor	245929
Galvanized wire rope - Ø 6, 5mm - 60m - equipped with M47 - for Scafor	286929
Galvanized wire rope - Ø 6, 5mm - 70m - equipped with M47 - for Scafor	286939



Order products on day 1, will be shipped no later than day 2.



Order products on day 1, will be shipped no later than day 6. Maximum quantities apply for this service.



Available on request. Please enquire about delivery times of these items.

Tracpode Pro

EN795-B - Machine directive 2006/42/CE

Tracpode Pro tripod is a perfect transportable and easy to set up temporary anchor point, it combines anchoring and lifting functions.

Being telescopic, it easily adapts to different environments in order to adjust the appropriate height.

This aluminum tripod can be transported and deployed easily. Its **small size** makes it easy to transport in small site vehicles, and it is light and easy to handle.

This device offers a working height of 1620 mm and guarantees a reliable anchor point to secure simultaneous access for up to 2 people in confined work spaces. For all work in confined environments such as storage silos, sewers, the Tracpode Pro tripod allows you to operate without any risk of falling.



It is tested to stop the fall of two operators weighing 150 kg each; including the weight of their equipment and tools. It allows two users to work safely.

It may also be used as an anchor point for lifting with the ability to lift a maximum load of 250 kg.

The head of the Tracpode Pro tripod is equipped with 3 anchoring points. Two PPE anchors, each carrying 150 kg, and one anchor designed for lifting loads weighing 250 kg.

One leg is designed to hold a 150 kg Tractel winch (material lifting) or a 150 kg Tractel Blocfor R 150 kg fall arrester.

Technical characteristics:

- Composition: Aluminium
- Height min. feet folded: 1200 mm
- Height working position: 1520 to 1620 mm
- Diameter defined by the 3 legs: Ø 1230 to 1310 mm
- Weight : 11.90 kg
- Quick and easy attachment of accessories to the exterior of the tripod, without tools



Model	Weight (kg)	Product Code
Tracpode Pro - tripod	11.90	299049
PPE pulley	0.75	218408
Lifting pulley	0.75	218418

Model	Product Code
Transport bag	68752

Tracpode Pro

Accessories: safety & rescue

Blocfor R EVO ESD 150 kg

EN360 + EN1496

The Blocfor R EVO ESD 150 kg functions like a standard retractable fall arrester to stop the fall of an operator. It also features an integrated rescue winch system that can be easily activated after a fall to rapidly evacuate a person upwards or downwards in case of a rescue operation.

Features:

- Handle-type anchorage capable of receiving large-diameter connectors.
- Integrated Winch: Automatic fall arrester with an integrated winch for ascending or descending during a potential rescue operation.
- Casing: housing made of a polyamide/ABS blend, UV-resistant, highly resistant to impact and aging.
- ESD Energy Absorber: Equipped with an energy absorber and traceability label. - Fall indicator. - Ensures that the user will not experience an impact of more than 600 daN even if the fall occurs when the cable or strap is fully extended.
- Allows horizontal use (for the version with galvanized cable).
- Available in length 10 m and 20 m.

Model	Length (m)	Description	Weight (kg)	Product Code
Blocfor 10R EVO - galvanized 150kg range - without bracket	10 m	Galvanised rope	11.5 kg	87742
Blocfor 20 R EVO ESD I	20 m	Stainless steel rope	12.2 kg	87502
Blocfor 20 R EVO ESD G	20 m	Galvanised rope	12.5 kg	87492
Bracket for Blocfor 10R/20R Evo	-	Steel	1.9 kg	218428
PPE pulley	-	Size : 200 x 100 x 50 mm	0.75 kg	218408



Blocfor 20 R EVO ESD G



Blocfor leg bracket



Tracpode Pro

Accessories: hoists



caRol R Pro 12 winch

EN1496 B - 2006/42/CE

CaRol R PRO 12 winch is a rescue equipment compliant with EN 1496 class B with a maximum working load of 150 kg. It allows operators to be raised and lowered when working in a confined space.

It also meet the requirements of load lifting winches with a maximum working load of 150 kg. CaRol R PRO winches can also be used as work devices suspended on a rope if they are coupled with a fall arrest system complying with standard EN 363.

CaRol R PRO winches are delivered with their cable equipped.

They must be fixed on anchoring consoles for Tracpode Pro tripod.

Technical characteristics:

- Cable length: 12 m
- Cable diameter: 5 mm
- Weight: 5.3 kg

Model	Weight (kg)	Product Code
Carol R Pro 12 winch	5.3 kg	218438
Bracket for Carol R Pro 12	2.8 kg	218448
PPE pulley	0.75 kg	218408
Lifting pulley	0.75 kg	218418



caRol Duratech winch

Manual drum winch with stainless steel wire rope

The CaRol Duratech range is designed for lifting and pulling loads. CaRol Duratech winches are equipped with a wire rope, a swivel and a lifting hook in stainless steel.

CaRol Duratech are designed to work in environments with low corrosive content, but where the cable is in contact with aggressive or corrosive substances and requires regular cleaning.

Model	Weight (kg)	Product Code
caRol Duratech 150	5.2	218498
Bracket for Carol R Pro 12	2.8 kg	218448
Lifting pulley	0.75 kg	218418

Tracpode Pro

Accessories: hoists

caRol R Pro 20 winch

2006/42/CE - EN1496 A

CaRol R PRO 20 winch is a rescue equipment compliant with EN 1496 class B with a maximum working load of 150 kg. It allows operators to be raised and lowered when working in a confined space. It also meets the requirements of load lifting winches with a maximum working load of 150 kg. CaRol R PRO winches can also be used as work devices suspended on a rope if they are coupled with a fall arrest system complying with standard EN 363.

CaRol R PRO winches are delivered with their cable equipped.

They must be fixed on anchoring consoles for Tracpode Pro tripod.

Technical characteristics:

- Cable length: 20 m
- Cable diameter: 5 mm
- Weight: 10.3 kg

Model	Weight (kg)	Product Code
Carol R Pro 20 winch	10.3 kg	218458
Bracket for Carol R Pro 20	3.8 kg	218468
PPE pulley	0.75 kg	218408
Lifting pulley	0.75 kg	218418



caRol R TS 150 winch

2006/42/CE - EN1496 A - EN13157

Rescue winch compliant with **EN 1496**, with a maximum load of 150 kg.

Carol R TS winch 150 kg also meets the requirements of hoisting winches with a maximum load of 150 kg (**Directive 2006/42/CE**).

Can be easily integrated on the leg of the Tracpode Pro, with a dedicated bracket.

Allows to secure an operator up to 150 kg, equipped with his tools. Can also be used for lifting materials with a capacity of 150 kg.

- Rescue & Lifting material winch.
- 150 kg capacity for materials handling
- 5 mm galvanised \varnothing cable length available in 20 m.
- Rotation-resistant wire rope
- Suitable for work in suspension, if using a second safety fall arrest conforming to EN 360
- The winch cable is guided by equipped pulleys with an anti-jump cable fixed on the head of tracpode.

Model	Weight (kg)	Product Code
Carol R TS winch	13.4 kg	299249
Bracket for Carol R Pro 20	3.8 kg	218468
PPE pulley	0.75 kg	218408
Lifting pulley	0.75 kg	218418



Manhole cover

The Manhole cover is a plate that is temporarily adapted to a manhole. It effectively protects the fall of distracted passers-by or operators who might fall into the open gaze.

The Manhole cover is made of an HD polymer plate that has properties that are resistant to load, future-proof, and many chemical components.

The Manhole cover is positioned on the lip of the manhole.

With its ventilation holes with a diameter of 40 mm, the Manhole cover ensures perfect air circulation for ventilation manoeuvres in the network, even when it is closed. Its installation is simple and quick (in a few seconds).

The Manhole cover is available in standard sizes of Ø 630 mm and Ø 825mm. It can exist in other dimensions (see Tractel).

In all cases, the operator must check that the Manhole cover is compatible with the manhole on which it is going to be installed.



Model	Product Code
Yellow Manhole protective cover 630A	253065
Yellow drain protection cover + large removable centre vent 630V	253075
Yellow Manhole protective cover + space for anchor 630S	253085
Yellow Manhole protective cover + ventilation plate + rod opening 630SV	253095
Yellow Manhole protective cover 825A	253105
Yellow Manhole protective cover + large removable central ventilation 825V	253115
Yellow Manhole protective cover + space for anchor 825S	253125
Yellow Manhole protective cover + large removable central ventilation + space for anchor 825SV	253135

FABA System A12

Fall arresters on rail for sewer access



The FABA A12 System has been on the market since 1995. It is a logical evolution of the FABA A11 System but a lighter and smaller version. The design of the safety rail and carriages is asymmetrical and guarantees that the carriages are always used in the right direction.

- Dimensions rail profile: 48 x 32 x 3 mm
- Material: Hot-dipped galvanised steel or stainless steel (1.4571)
- Design: Ladder with central upright or just rail
- Spacing in between stops: 40 mm
- Spacing in between rungs: 280 mm
- Rungs: Straight and welded on the back of the rail
- Width of the ladder: 380 mm
- Primary lengths: 5600 and 2800 mm
- Adjustment lengths: 560, 840, 1120, 1400, 1680, 1960, 2240, 2520, 3080, 3360, 3640, 3920, 4200, 4480, 4760, 5040 and 5320 mm
- Maximum distance between fixings: 1400 mm for the ladder and 1960 mm for the rail.

For more information or a quote, please contact Tractel on 0114 248 2266



Confined space harness

Harness HT55 Confined Space

EN 361



Comfort	<div style="width: 100%; height: 10px; background-color: #90EE90;"></div>
Frequency of use	<div style="width: 100%; height: 10px; background-color: #90EE90;"></div>
Integrated options	<div style="width: 100%; height: 10px; background-color: #90EE90;"></div>

The HT55 harness can be used for confined space. It is particularly suited for use with a respiratory system which slides easily onto the belt.

Enhanced comfort is ensured by the back XPad, the mountaineering-type thigh straps, and the linkage between the shoulder straps and thigh straps by connecting buckles.

The harness is very easy to slip on as it opens fully at the front with the X-Pad preserving the harness form.

- Universal and very comfortable harness, automatic with extra comfort for long periods of work
- 1 dorsal with a big forged D anchorage to eliminate the

risk of carabiner disconnection

- 1 sternal anchorage
- 1 special belt for respiratory system
- 1 comfort sub-pelvic strap
- Sliders for strap adjustment. Cannot be removed for security reasons
- 3 adjustment points
- Independent mountain leg strap High-comfort
- X-pad comfort back pad: Breathable and flexible - it gives the harness shape to make it easier to put on.
- Fall indicator in each anchorage
- Label holder

	M	XL
HT55 A CS	83912	83922



● Order products on day 1, will be shipped no later than day 2,

● Order products on day 1, will be shipped no later than day 6. Maximum quantities apply for this service.

○ Available on request. Please enquire about delivery times of these items.

Rescue Harness

HT22R Fall Arrest Harness

EN361 - EN1497

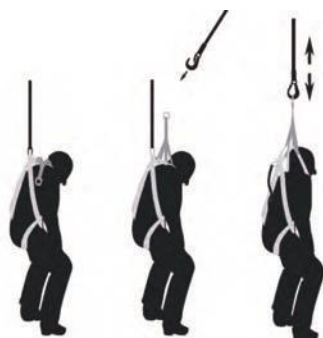


Universal harness with standard buckles and rescue straps.

The HT22R is a harness specially designed to rescue an operator working in a confined space. It is equipped with an emergency strap attached to the shoulder straps. This strap allows the operator to be raised in a perfect vertical position which facilitates the exit of the body through the manhole.

- 1 dorsal anchor point.
- 1 sternal anchorage point in textile loop.
- 1 sub-pelvic strap.
- 5 adjustment loops.

	S	M	XL
HT22R	44952	44962	44972



HT9 Evacuation Triangle

EN1497



Special harness for evacuation operations, easy to install, even with a person lying on the ground.

Due to its 3 adjustment settings, the HT9 can be used with both children and adults

Model	Product Code
HT9	17622



● Order products on day 1, will be shipped no later than day 2.

● Order products on day 1, will be shipped no later than day 6. Maximum quantities apply for this service.

○ Available on request. Please enquire about delivery times of these items.

Tirope

Rescue winch



EN 1496 - EN1891/A - Machinery Directive 2006/42/CE

The Tirope Winch 120 kg provides compact traction and lifting capability for emergency rescue operations requiring 120 kg load capacity. This independent braided rope hoist positions anywhere on the rope and automatically engages with applied loads from operators or suspended equipment. The unlimited stroke design enables rescue operations at virtually any height dependent only on rope length availability.


Features lightweight 4.2 kg construction with compact 600 x 150 x 100 mm folded dimensions for portable deployment. The lever-operated mechanism multiplies pulling force through back-and-forth movement, enabling efficient and effortless lifting operations. Integrated overload protection pin breaks at 40 daN operating lever pressure to protect the braided rope from excessive loads during rescue operations.


Applications include emergency evacuation scenarios, confined space rescue operations, and industrial rescue situations requiring portable lifting capability. The device operates exclusively with 13 mm braided rope for Tirope hoist, with laboratory testing completed for 50 m rescue operations. Compatible with various rope lengths from 10 m to 50 m configurations and optional carry bag for complete rescue system deployment.


Model	Weight (kg)	Length (m)	Product code
Tirope winch	4.2	600 mm	299029
RLXD 12,5 10m-M15-A	1.3	10	87572
RLXD 12,5 20m-M15-A	2.4	20	87582
RLXD 12,5 40m-M15-A	4.5	40	87592
RLXD 12,5 60m-M15-A	6.6	60	87602

Different length available on request.

Model	Product Code
Transport bag	100625

 Order products on day 1, will be shipped no later than day 2.

 Order products on day 1, will be shipped no later than day 6. Maximum quantities apply for this service.

 Available on request. Please enquire about delivery times of these items.

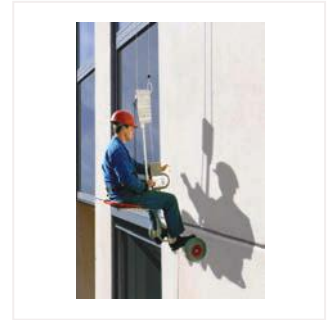
Subito, Evak

Subito

Manual one man seat.

- With its easy, efficient and safe operation, the subito was created specifically for working on façades (inspection, maintenance and cleaning).
- Designed for working at heights of up to 30 metres.
- When equipped with a scafor™ manual winch it is approved for lifting people.

Model	Product Code
Subito	25429
Support mount	28398
10 m galvanised cable	53809
20 m galvanised cable	53829
30 m galvanised cable	53849



Evak 500


The Evak 500 provides professional emergency rescue capability through unlimited length textile rope operation with 400 daN lifting capacity. This winch-hoist system operates through to-and-fro lever movement linked to two self-gripping sliding jaw blocks for efficient lifting operations. The device enables emergency rescue services to lift personnel or materials in situations where conventional lifting equipment is unavailable or impractical.


Features robust construction with aluminium jaw and guide pulley components paired with zinc-plated steel body for reliable performance. The device weighs 6.35 kg and operates with 12.5 mm Tractel textile rope rated at 3500 daN breaking strength. Integrated overload protection includes shear pin that breaks at 40 daN lever effort to prevent equipment damage during excessive loading conditions.


Applications include emergency rescue operations, industrial lifting scenarios, and professional rescue services requiring portable unlimited-stroke lifting capability. The system accommodates various rope lengths from 20 m to 200 m for diverse operational requirements whilst maintaining consistent mechanical advantage. Ideal for rescue services, confined space operations, and industrial applications where reliable portable lifting capability is essential.

Model	Product Code
Evak 500	23498
Rope 12.5 mm, 20 m	46059
Rope 12.5 mm, 40 m	46069
Rope 12.5 mm, 60 m	46079
Rope 12.5 mm, 80 m	46089
Transport bag	100625



 Order products on day 1, will be shipped no later than day 2,

 Order products on day 1, will be shipped no later than day 6. Maximum quantities apply for this service.

 Available on request. Please enquire about delivery times of these items.

Derope

The derope descent device is a controlled speed descent evacuation system. It can be used to evacuate either one person (up to 150 kg) at heights of up to 400 metres or 2 people (up to 225 kg) at heights of up to 200 metres.



Derope STD

EN 341

The Derope descent device is a controlled speed descent evacuation system. It can be used to evacuate either one person (up to 150 kg) at heights of up to 400 meters or 2 persons (up to 225 kg) at heights of up to 200 meters.

Standard Derope allows several round-trips, designed for downward evacuation. Descent only.

- Height 400m for max 150 kg
- Height 200m for max 225 kg

Model	Product Code
Derope STD	194159

Rope (1m) upon request, please contact our Sales support.



Derope UPA

EN341 - EN1496

The Derope descent device is a controlled speed descent evacuation system. It can be used to evacuate either one person (up to 150 kg) at heights of up to 400 meters or 2 persons (up to 225 kg) at heights of up to 200 meters.

The Derope UP A is equipped with a recovery winch that can be operated by hand or by using an electric drill

- Height 400m for max 150 kg
- Height 200m for max 225 kg

Model	Product Code
Derope UPA	194169

Rope (1m) upon request, please contact our Sales support.



Derope UPB

EN341 - EN1496

The Derope descent device is a controlled speed descent evacuation system. It can be used to evacuate either one person (up to 150 kg) at heights of up to 400 meters or 2 persons (up to 225 kg) at heights of up to 200 meters.

The Derope UP B with winch, equipped with a large mounting bracket for ladder.

The unit is mounted on two ladder treads. The mounting system must be secured by a lanyard.

- Height 400m for max 150 kg
- Height 200m for max 225 kg

Rope can be ordered separately, price on request.



Model	Product Code
Derope UPB	194179

Rope (1m) upon request, please contact our Sales support.

Derope UPK

The Derope descent device is a controlled speed descent evacuation system. It can be used to evacuate either one person (up to 150 kg) at heights of up to 400 meters or 2 persons (up to 225 kg) at heights of up to 200 meters.

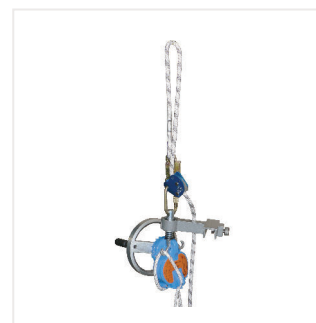
Derope UP A with winch, equipped with a small mounting bracket for ladder.

The unit is mounted on a ladder tread.

- Height 400m for max 150 kg.
- Height 200m for max 225 kg

Model	Product Code
Derope UPK	194189

Rope (1m) upon request, please contact our Sales support.



Drill attachment

The UP range is equipped with a drill attachment for use with a battery operated drill of 14 V, 300 W.

The Derope UP descender can be used with a battery powered drill, opening up many more applications for the product.

- The drill attachment enables the fast lifting of a person over a great height in a rescue operation or vertical displacement. It is recommended for companies that work in silos, tanker vats, drains, etc.
- The Derope UP descender can be used to move rope access technicians and raise them, effortlessly, to a greater height. It is ideal for window cleaners, bill stickers and aerial installers.



Order products on day 1, will be shipped no later than day 2,



Order products on day 1, will be shipped no later than day 6. Maximum quantities apply for this service.



Available on request. Please enquire about delivery times of these items.

Derope rescue kit

A complete kit for evacuation at height



EN341 - EN1496

A complete kit for evacuation at heights.

Contents of the rescue kit:

- derope UP A for upwards and downwards evacuation
- 10.5 mm braided rope with a length of 85, 120 or 150 m and 3 M48 tri-lock karabiners
- 1 patented Tractel rope reel
- 1 braided rope protector
- 1 lanyard spreader device with connector to keep the rope from the structure
- 1 stopfor K to disconnect the fall arrest lanyard from the user
- 2 strap rings to connect the derope and the pulley onto the structure
- 1 pulley to position the braided rope in the optimal position during descent
- 4 M23 tri-lock connectors
- 1 waterproof box with shock absorbing foam


Advantages:


- Complete with derope UP A for fast and safe evacuation
- Complete equipment ready to use
- Strong and waterproof box
- Overpressure valve to protect against condensation
- Humidity indicator
- Humidity absorption bags
- Storage box seal lets you know if the kit has been opened
- If the seal is unbroken, the kit doesn't require inspection for 5 years


Specification:

- Dimensions (H x L x D): 225 mm x 200 mm x 165 mm
- Max load recovery: 150 kg (400 m) or 225 kg (200 m)
- Descent speed: 0.5 m/s - 2 m/s

Model	Product Code
Derope rescue kit 85 m	222949
Derope rescue kit 120 m	222959
Derope rescue kit 150 m	222969

 Order products on day 1, will be shipped no later than day 2,

 Order products on day 1, will be shipped no later than day 6. Maximum quantities apply for this service.

 Available on request. Please enquire about delivery times of these items.

Pulleys / Descent / Ascent Devices

LSF jumar lanyard

EN354 - CNB/P/11.062

Double webbing lanyard, 30 mm-wide strap made of polyester, without shock absorber.

The LSF Jumarlanyard is used for connecting rope acces accessories such as an ascent handle and a foot loop to the ombilical attachment point on the harness.

Model	Product Code
LSF - Jumar	65772



Standard S pulley

EN12278

- Simple S pulley with fixed flanges.
- Rope diameter max. 13 mm.

Model	Product Code
Standard S pulley fixed flanges	40162




Standard S pulley opening flanges


EN12278


- Pulley diameter : 27 mm.
- Braided rope diameter : 11 mm max
- Material : steel
- Overall dimensions : 74 mm x 52 mm
- Weight : 165 g

Model	Product Code
Standard S pulley opening flanges	40172



 Order products on day 1, will be shipped no later than day 2,

 Order products on day 1, will be shipped no later than day 6. Maximum quantities apply for this service.

 Available on request. Please enquire about delivery times of these items.

Pulleys / Descent / Ascent Devices



Standard M pulley opening flanges

EN12278

- Simple M pulley with movable flanges.
- Rope diameter max. 16 mm.

Model	Product Code
Standard M pulley opening flanges	40102



Double in-line pulley

EN12278

- **High-Efficiency Design:** Dual in-line pulley with two sheaves for ropes up to 13 mm, optimized for rope access and evacuation systems, delivering superior mechanical advantage and reduced friction.
- **Robust & Lightweight:** Made from aluminium, weighs 330 g, EN 12278 certified, with a 30 kN breaking load and precise dimensions (113 × 86 × 35 mm).
- **Versatile Applications:** Ideal for rope bridge evacuations, lifting operations, and professional rope access setups; compatible with harness systems and diverse gear configurations.

Model	Product Code
Double in-line pulley	40092





Double pulley opening flanges


EN12278

- **Efficient Dual-Sheave Design:** Parallel-mounted double pulley with opening flanges for easy rope installation/removal; accommodates ropes up to 16 mm for lifting and hauling operations.
- **Strong & Lightweight:** Aluminium construction weighing 460 g, EN 12278 certified, 24 kN breaking load, with dimensions of 144 × 82 × 63 mm; individual sheaves rated at 6 kN each.
- **Versatile Applications:** Ideal for mechanical advantage systems, rope lifting, and professional rope access; lightweight design reduces load, compatible with harness systems and diverse gear setups.

Model	Product Code
Double pulley opening flanges	40112

 Order products on day 1, will be shipped no later than day 2,

 Order products on day 1, will be shipped no later than day 6. Maximum quantities apply for this service.

 Available on request. Please enquire about delivery times of these items.

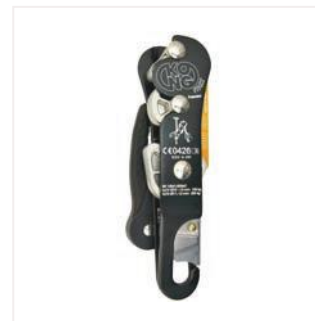
Pulleys / Descent / Ascent Devices

Double safety descent device

EN341 - EN12841-C

- Operates with diameter 9 to 12 mm braided rope.
- Fitted with a panic or emergency cut-out device system.
- Weight : 385 g.

Model	Product Code
Double safety descent device	13572



Ascent handle

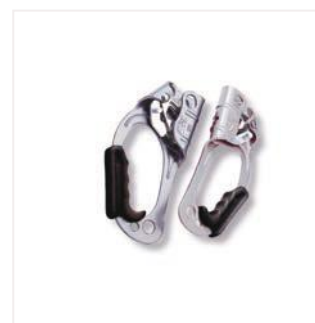
EN567

2 different kinds of handle, depending on your use. Both are compatible with kernmantel rope with a diameter between 8 and 12 mm.

A left and right traditional handles.

A compact handle fitting well in confined space applications.

Model	Product Code
Ascent handled rope clamp	65742



Order products on day 1, will be shipped no later than day 2,



Order products on day 1, will be shipped no later than day 6. Maximum quantities apply for this service.



Available on request. Please enquire about delivery times of these items.

Pulleys / Descent / Ascent Devices



Ascent foot clamp

For ascent during rope access operation.
Foot loop with adjustable strap.

Model	Product Code
Ascender foot-loop	40122



Anchor plate

EN795-B

- Operates with diameter 8 to 12 mm braided rope.
- Allows to remount on the cord in conjunction with right or left ascent handle.
- Weight : 106 g.

Model	Product Code
Anchor plate	20512



Sternal ascent rope clamp

EN567

Complies with EN 567 standard.


For rope climbing. Self-locking rope clamp for ropes with a diameter of 8 to 12 mm.
A dedicated version for use with the HT Access that can be installed by the user.


Model	Product Code
Sternal ascent rope clamp	66112
Sternal ascent rope clamp for HT Access	86552




Rope protection

Model	Product Code
Rope protection	72586

 Order products on day 1, will be shipped no later than day 2,

 Order products on day 1, will be shipped no later than day 6. Maximum quantities apply for this service.

 Available on request. Please enquire about delivery times of these items.

Tree surgeon options

Anchor line for trees

EN354

Mobile anchor point for attaching the lanyard to a tree branch

Model	Product Code
Anchor line for trees	40982



Arborist braided rope

Tree surgeon lanyard fitted with a buckle at one end.

Model	Product Code
Rope 20m	59512
Rope 30m	59522
Rope 40m	59532
Rope 50m	69952



Adjustable lanyard - LCM03

EN358 - PPE-R/11.062

The work positioning lanyard LCM03 is a manually adjusted tensioner-reducer. This device works on a low-stretch rope with steel core diameter of 12.5 mm.

The LCM03 is compact and ergonomic and perfectly suited for work positioning.

The lanyard LCM03 is equipped with a compact, ergonomic jaw tensioning device. The device is made of high-strength aluminium. The jaw tensioning device LCM03

slides along the rope. In the event of a fall or loss of balance, the tensioner automatically locks.

The unit is supplied with rope with steel core diameter of 12.5 mm and length of 2m, 3m or 4m, equipped with a connector M10 on the tensioner and a connector M40 on the end of the rope

this lanyard is not a fall arrest.

Model	Length (m)	Product Code
LCM 03 - M42 M10T - 2 m	2 m	85292
LCM 03 - M42 M10T - 3 m	3 m	85302
LCM 03 - M42 M10T - 4 m	4 m	85312
Sleeve	-	18192



Order products on day 1, will be shipped no later than day 2.

Order products on day 1, will be shipped no later than day 6. Maximum quantities apply for this service.

Available on request. Please enquire about delivery times of these items.

Tree surgeon options



Prusik knot

Self-locking knot enabling the tree surgeon to move along the arborist rope.

- length 0.6m

Model	Product Code
Prusik knot	40992



Throw bag

Bag for throwing the arborist rope over a branch to create an anchor point. 250 g

Model	Product Code
Throw bag 250g	53842
Throw bag 350g	59332



50m rope throw line

For using with the throw bag.

Model	Product Code
Rope (for saddle bag)	51922



Order products on day 1, will be shipped no later than day 2,



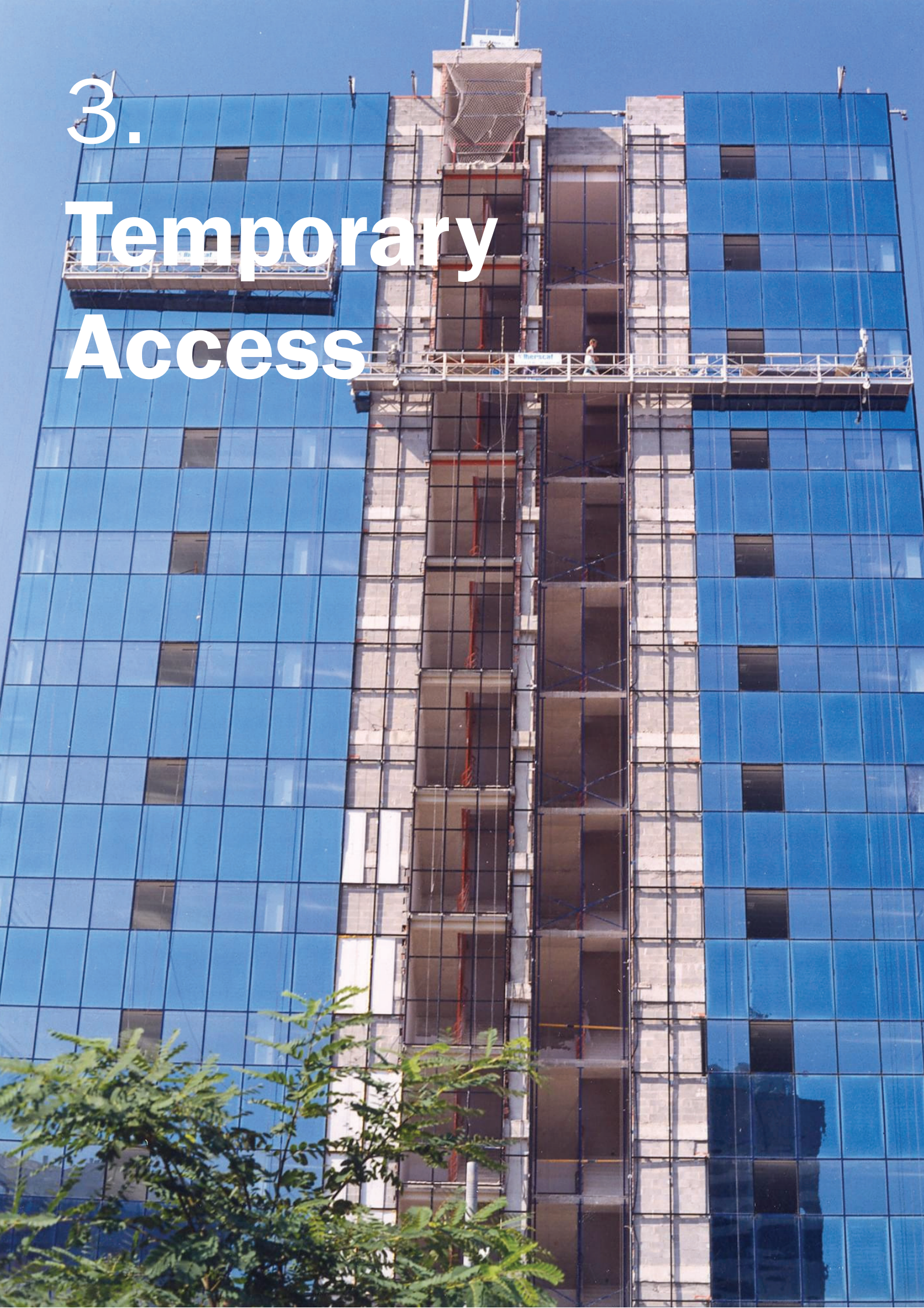
Order products on day 1, will be shipped no later than day 6. Maximum quantities apply for this service.



Available on request. Please enquire about delivery times of these items.

3.

Temporary Access





Manriding Tirak



Wherever you need to transport people, the highest safety standards are regulated by law. Certified by an independent notified body in accordance with EN1808, the Tirak meets all these requirements and forms the heart of many access systems.

Advantages of the Tirak hoist:

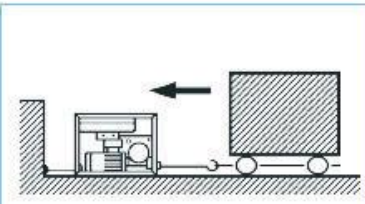
- Universal use and ideal wherever systems with persons have to be lifted
- Compact dimensions and low weight make simple handling possible and simplify the integration of the Tirak into your own applications to increase productivity and efficiency.
- The low weight of the Tirak enables a higher payload of the system.

A complete range of Tirak models offers payloads from less than 300kg up to 2000kg for Manriding applications.



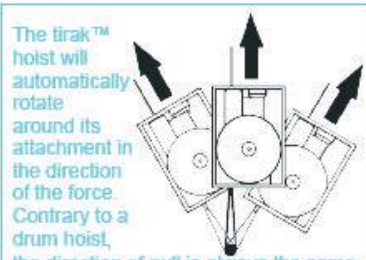
Tirak application & codes

ANCHORED TO THE FRAME



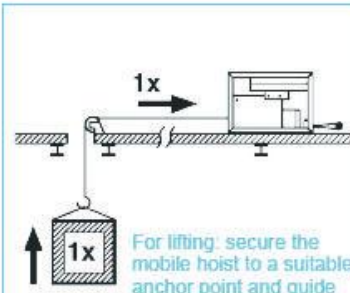
Secure the mobile hoist to a suitable anchor point by using a sling, chain or other securing method and you will be ready to start working.

ORIENTATION



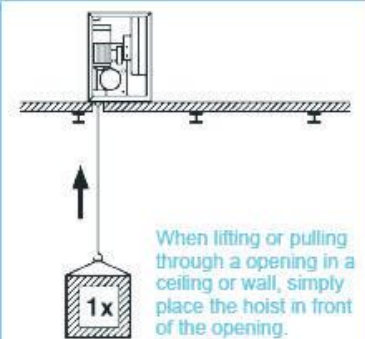
The tirak™ hoist will automatically rotate around its attachment in the direction of the force. Contrary to a drum hoist, the direction of pull is always the same because of the steady wire rope output. In addition, the speed and force are constant.

LIFTING LOADS



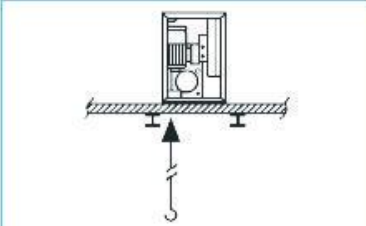
For lifting: secure the mobile hoist to a suitable anchor point and guide the wire rope through 1 or more sheave blocks.

DIRECT LIFTING OR PULLING



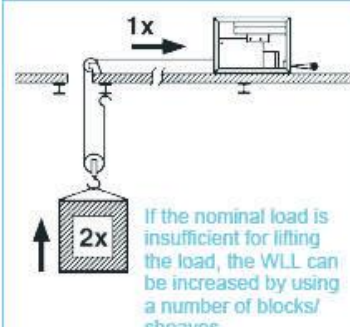
When lifting or pulling through a opening in a ceiling or wall, simply place the hoist in front of the opening.

POSITIONING



If the opening is not large enough for the hook, first position the hoist and guide the wire rope with the tip through the opening and into the Tirak™.

LIFTING AND REEVING



If the nominal load is insufficient for lifting the load, the WLL can be increased by using a number of blocks/ sheaves.

TYPE CODING STRUCTURE, INFINITE POSSIBILITIES

CUSTOMISATION

- Each Tirak is assembled and produced in accordance with customer requirements. We will be happy to advise and support you while assembling the optimal Tirak for your application.
- Type coding structure

L 500 P
X A 502 P
X 1532

Tirak^T-Type
 L = 1 driver disc (lightweight)
 X = 1 driver disc
 T = 2 driver discs

Capacity [kg]

3	=	300
4	=	400
5	=	500
6	=	600
8	=	800
10	=	980
10	=	1000
11	=	1150
12	=	1250 ¹⁾
15	=	1500 ¹⁾
20	=	2000
30	=	3000 ¹⁾

Rope - Ø [mm]

0	=	8
1	=	6
2	=	9
3	=	10
4	=	11
5	=	14

Working speed [m/min]

Kind of motor*	for X 2000 / 3000			
	50 Hz	60 Hz	50 Hz	60 Hz
0 = 3 Ph	9	11	6	7
or air motor or hydraulic motor				
2 = 3 Ph	18	22	12	14
3 = 3 Ph	9/18	11/22	6/12	7/14
4 = 3 Ph	4,5	5,5	4,5	5,4
5 = 3 Ph	4,5/9	5,5/11	3/6	3,5/7
6 = 3 Ph	4,5/18	5,5/22	3/12	3,5/14
7 = 3 Ph	variable speed (0 to 9 / 18 / 30)			
1 = 1 Ph	9	11	—	—

Kind of motor*:
 3 Ph = 3 phase motor
 1 Ph = single phase motor

¹⁾ For Material application only

Tirak Man Riding Hoist with Pendant Control

WLL 300kg

Model	Wire Rope Diameter (mm)	Forward Speed (m/min)	Voltage (V)	Frequency (Hz)	Current (A)	Weight (kg)	Description	Product Code
X300P	8	9	400	50	2	28	hard-wired pendant control	290899
X300P	8	9	400	50	2	28	pluggable pendant control	290909
X301P	8	9	230	50	5	29	hard wired pendant control	290919
X301P	8	9	230	50	5	29	pluggable pendant control	290929
X302P	8	18	400	50	3,0	28	hard wired pendant control	290939
X302P	8	18	400	50	3,0	28	pluggable pendant control	290949

WLL 400kg

Model	Wire Rope Diameter (mm)	Forward Speed (m/min)	Voltage (V)	Frequency (Hz)	Current (A)	Weight (kg)	Description	Product Code
X400P	8	9	400	50	2,5	29	hard wired pendant control	290959
X400P	8	9	400	50	2,5	29	pluggable pendant control	290969
X401P	8	9	230	50	6,1	38	hard wired pendant control	290979
X401P	8	9	230	50	6,1	38	pluggable pendant control	290989
X402P	8	18	400	50	3,8	32	hard wired pendant control	290999
X402P	8	18	400	50	3,8	32	pluggable pendant control	291009
X403P	8	9 / 18	400	50	2,2/4,5	37	hard wired pendant control	291019
X403P	8	9 / 18	400	50	2,2/4,5	37	pluggable pendant control	291029

WLL 500kg (see next page for remainder)

Model	Wire Rope Diameter (mm)	Forward Speed (m/min)	Voltage (V)	Frequency (Hz)	Current (A)	Weight (kg)	Description	Product Code
L500P	8	9	400	50	2,5	29	hard wired pendant control	291039
L500P	8	9	400	50	2,5	29	pluggable pendant control	291049
X500P	8	9	400	50	3,1	41	hard wired pendant control	291059
X500P	8	9	400	50	3,1	41	pluggable pendant control	291069
X501P	8	9	230	50	7,6	49	hard wired pendant control	291079
X501P	8	9	230	50	7,6	49	pluggable pendant control	291089

For Tirak accessories please see page 329

Additional information:

- Complete machine delivered with a CE declaration,
- Delivered with 1m power supply cable,
- Ultimate upper limit switch and upper limit switch (redundancy as per EN1808:2015) built on tirak and hard wired
- CE Logo on type label

Tirak Man Riding Hoist with Pendant Control

WLL 500kg (see previous page for remainder)

Model	Wire Rope Diameter (mm)	Forward Speed (m/min)	Voltage (V)	Frequency (Hz)	Current (A)	Weight (kg)	Description	Product Code
X502P	8	18	400	50	5,5	44	hard wired pendant control	291099
X502P	8	18	400	50	5,5	44	pluggable pendant control	291109
X503P	8	9 / 18	400	50	3,7/6,6	51	hard wired pendant control	291119
X503P	8	9 / 18	400	50	3,7/6,6	51	pluggable pendant control	291129

WLL 600kg

Model	Wire Rope Diameter (mm)	Forward Speed (m/min)	Voltage (V)	Frequency (Hz)	Current (A)	Weight (kg)	Description	Product Code
X600P	8	9	400	50	4,3	53	hard wired pendant control	291139
X600P	8	9	400	50	4,3	53	pluggable pendant control	291149
X601P	8	9	230	50	10	58	hard wired pendant control	291159
X601P	8	9	230	50	10	58	pluggable pendant control	291169
X602P	8	18	400	50	4,8	57	hard wired pendant control	291179
X602P	8	18	400	50	4,8	57	pluggable pendant control	291189
X603P	8	9 / 18	400	50	4,5/8,7	66	hard wired pendant control	291199
X603P	8	9 / 18	400	50	4,5/8,7	66	pluggable pendant control	291209
X620P	9	9	400	50	4,3	53	hard wired pendant control	291219
X620P	9	9	400	50	4,3	53	pluggable pendant control	291229
X621P	9	9	230	50	10	58	hard wired pendant control	291239
X621P	9	9	230	50	10	58	pluggable pendant control	291249
X622P	9	18	400	50	4,8	57	hard wired pendant control	291259
X622P	9	18	400	50	4,8	57	pluggable pendant control	291269
X623P	9	9 / 18	400	50	4,5/8,7	66	hard wired pendant control	291279
X623P	9	9 / 18	400	50	4,5/8,7	66	pluggable pendant control	291289

For Tirak accessories please see page 329

Additional information

- Complete machine delivered with a CE declaration,
- Delivered with 1m power supply cable,
- Ultimate upper limit switch and upper limit switch (redundancy as per EN1808:2015) built on tirak and hard wired
- CE Logo on type label

Tirak Man Riding Hoist with Pendant Control

WLL 800kg

Model	Wire Rope Diameter (mm)	Forward Speed (m/min)	Voltage (V)	Frequency (Hz)	Current (A)	Weight (kg)	Description	Product Code
X820P	9	9	400	50	4,5	47	hard wired pendant control	291299
X820P	9	9	400	50	4,5	47	pluggable pendant control	291309
X823P	9	9 / 18	400	50	5,5/9,5	53	hard wired pendant control	291319
X823P	9	9 / 18	400	50	5,5/9,5	53	pluggable pendant control	291329

WLL 1000kg

Model	Wire Rope Diameter (mm)	Forward Speed (m/min)	Voltage (V)	Frequency (Hz)	Current (A)	Weight (kg)	Description	Product Code
X1030P	10	9	400	50	5,6	47	hard wired pendant control	291339
X1030P	10	9	400	50	5,6	47	pluggable pendant control	291349
X1033P	10	9 / 18	400	50	5,4/10	58	hard wired pendant control	291359
X1033P	10	9 / 18	400	50	5,4/10	58	pluggable pendant control	291369

WLL 1150kg

Model	Wire Rope Diameter (mm)	Forward Speed (m/min)	Voltage (V)	Frequency (Hz)	Current (A)	Weight (kg)	Description	Product Code
X1140P	11	9	400	50	5,6	47	hard-wired pendant control	295939

WLL 2000kg

Model	Wire Rope Diameter (mm)	Forward Speed (m/min)	Voltage (V)	Frequency (Hz)	Current (A)	Weight (kg)	Description	Product Code
X2050P	14	6	400	50	6	100	hard wired pendant control	291379
X2050P	14	6	400	50	6	100	pluggable pendant control	291389
X2052P	14	12	400	50	10,3	117	hard wired pendant control	291399
X2052P	14	12	400	50	10,3	117	pluggable pendant control	291409
X2058P	14	18	400	50	17	145	hard wired pendant control	291419
X2058P	14	18	400	50	17	145	pluggable pendant control	291429

For Tirak accessories please see page 329

Additional information:

- Complete machine delivered with a CE declaration,
- Delivered with 1m power supply cable,
- Ultimate upper limit switch and upper limit switch (redundancy as per EN1808:2015) built on tirak and hard wired
- CE Logo on type label

Tirak

with connection at central control box WLL 300kg

Model	Wire Rope Diameter (mm)	Forward Speed (m/min)	Voltage (V)	Frequency (Hz)	Current (A)	Weight (kg)	Product Code
X300P	8	9	400	50	2	28	188189
X301P	8	9	230	50	5,1	29	188139
X302P	8	18	400	50	3	28	188199

WLL 400kg

Model	Wire Rope Diameter (mm)	Forward Speed (m/min)	Voltage (V)	Frequency (Hz)	Current (A)	Weight (kg)	Product Code
X400P	8	9	400	50	2,5	29	188259
X401P	8	9	230	50	5,9	32	188329
X402P	8	18	400	50	3,8	32	188279
X403P	8	9 / 18	400	50	2,2/4,5	36	188299

WLL 500kg

Model	Wire Rope Diameter (mm)	Forward Speed (m/min)	Voltage (V)	Frequency (Hz)	Current (A)	Weight (kg)	Product Code
X500P	8	9	400	50	3	41	188379
X501P	8	9	230	50	7,6	49	188439
X502P	8	18	400	50	5,3	44	188389
X503P	8	9 / 18	400	50	3,6/6,5	51	188419
L500P	8	9	400	50	2,5	29	188349

WLL 600kg

Model	Wire Rope Diameter (mm)	Forward Speed (m/min)	Voltage (V)	Frequency (Hz)	Current (A)	Weight (kg)	Product Code
X620P	9	9	400	50	4,3	43	259709
X621P	9	9	230	50	10	51	259719
X622P	9	18	400	50	5	47	259729
X623P	9	9 / 18	400	50	4,5/8,7	53	259739

For Tirak accessories please see page 329

Additional information:

- Incomplete machine delivered with a Declaration of incorporation to be integrated in a complete system,
- Delivered with 1m power supply cable,
- No plugs available for path limitation switches, to be installed & hard wired on site,
- No CE logo on the type label.

Tirak

with connection at central control box
WLL 800kg

Model	Wire Rope Diameter (mm)	Forward Speed (m/min)	Voltage (V)	Frequency (Hz)	Current (A)	Weight (kg)	Product Code
X820P	9	9	400	50	4,5	47	188509
X823P	9	9 / 18	400	50	5,3/9,3	53	188519

WLL 1000kg

Model	Wire Rope Diameter (mm)	Forward Speed (m/min)	Voltage (V)	Frequency (Hz)	Current (A)	Weight (kg)	Product Code
X1030P	10	9	400	50	5,3	47	188549
X1033P	10	9 / 18	400	50	5,5/9,8	58	217149

WLL 2000kg

Model	Wire Rope Diameter (mm)	Forward Speed (m/min)	Voltage (V)	Frequency (Hz)	Current (A)	Weight (kg)	Product Code
X2050P	14	6	400	50	6,1	100	188569
X2052P	14	12	400	50	10	117	188579

For Tirak accessories please see page 329

Additional information:

- Incomplete machine delivered with a Declaration of incorporation to be integrated in a complete system,
- Delivered with 1m power supply cable,
- No plugs available for path limitation switches, to be installed & hard wired on site,
- No CE logo on the type label.



Accessories for Tirak manriding

Transport trolley for Tirak

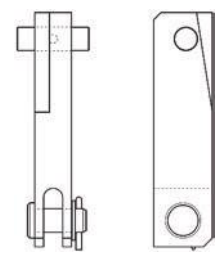
for Tirak series X500, X700, X800, X1000 & X1530

Model	Product Code
transport trolley for Tirak	247329

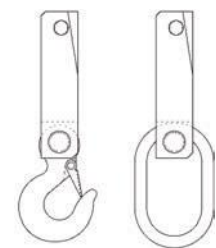


Suspension Adapters for Tirak Hoists

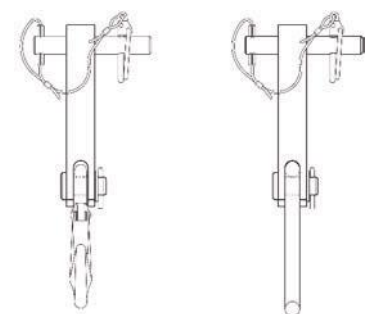
Model	Description	Product Code
Type A	Suspension adapter for X500-X1530	48657
Type B	Suspension adapter with hook. For X500-X1530	48727
Type B	Suspension adapter with eye. For X500-X1530	48717
Type C	Suspension adapter with removable hook. For X300/L500	180157
Type C	Suspension adapter with removable eye. For X300/L500	180167
Type C	Suspension adapter with removable hook. For X500-X1530	58527
Type C	Suspension adapter with removable eye. For X500-X1530	58537



Typ A



Typ B



Typ C

Tirak packaging

Model	Product Code
wooden box for Tirak X300 / X400	26980
wooden box for Tirak X500 / X800 / X1000	21450
wooden box for Tirak T1000	21320
wooden box for Tirak X1530	56010
wooden box for Tirak X3000	56000



Wire ropes for Tirak

maxiflex wire rope, standard

The maxiflex wire rope has been developed especially for optimal use guaranteed by Tractel®, in combination with tirak™ hoists, and can be used under the most extreme circumstances.

Upon request also available on a drum reel and in any required length.

- Developed especially for tirak™
- Supplied on a transport reel.
- Including certificate
- Standard version with tip and hook
- Hook with safety catch
- Available in any required length



Wire Rope Type	wire rope 8.3mm	wire rope 9.5mm	wire rope 10.2mm	wire rope 14.3mm
genCode				
productModelName	wire rope 8.3mm	wire rope 9.5mm	wire rope 10.2mm	wire rope 14.3mm
Length	Code	Code	Code	Code
20	490540	491520	493590	496050
30	490600	491540	493620	496060
40	490680	491560	493650	496070
50	490730	491590	493670	496080
60	490760	491600	493680	496090
70	490810	491610	493700	496100
80	490840	491640	493720	496120
90	490880	491650	493730	496130
100	490890	491670	493750	496140


maxiflex non-rotating wire rope


The maxiflex non-rotating wire rope has been developed especially to prevent non-guided loads from rotating if they are suspended freely in the air. Upon request the non-rotating wire rope will be produced and manufactured especially for you.


The Maxiflex™ wire rope is guaranteed by Tractel®, in combination with tirak™ hoists, and can be used under the most extreme circumstances.

- Non-rotating rope for non-guided loads
- Developed especially for tirak™
- Including certificate
- Available in any required length
- Standard version with tip and hook
- Hook with safety catch

Model	Length (m)	Product Code
wire rope 8.3mm	50	492630
wire rope 9.5mm	50	498010
wire rope 10.2mm	50	499070

 Order products on day 1, will be shipped no later than day 2,

 Order products on day 1, will be shipped no later than day 6. Maximum quantities apply for this service.

 Available on request. Please enquire about delivery times of these items.

Tirfor and Scafor for man-riding

Tirfor for man-riding



Tirfor TU6 P



Tirfor TU12 P



Tirfor TU24 P

- Certified for man riding according to EN 1808
- Blocstop BSA on secondary safety rope
- Quick installation
- There is no limitation of rope length
- It is quickly installed in any location and can be used where there is no power supply
- Shear pin overload protection incorporated in the forward lever handle

Model	WLL (kg)	Wire Rope Diameter (mm)	Breaking load (daN)	Weight (kg)	Product Code
TU-6P	600	8.3	4800	8.4	24639
TU-12P	1,200	11.5	9600	18	24649
TU-24P	2,400	16.3	19600	27	24659

Scafor hoist

- Lightweight manual hoist especially for light suspended platforms
- Rope travel for one complete cycle: 7.5mm
- Effort on each handle for load of 350kg: 7kg
- Centrifugal break system

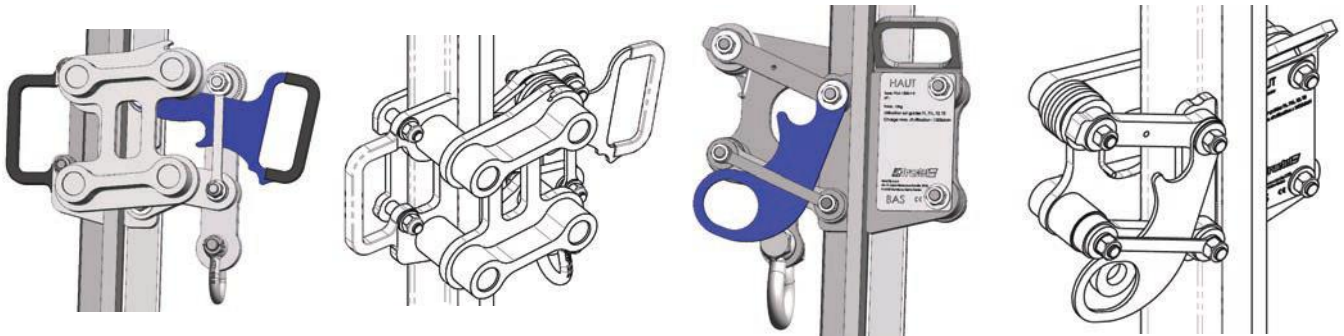


Model	WLL (kg)	Wire Rope Diameter (mm)	Weight (kg)	Product Code
408C	400	8.3	11	16488

Maxiflex wire ropes for Hydraulic Tirfor, man-riding Tirfor and Scafor machines

- For man-riding, powered and sheaved applications
- All maxiflex ropes are supplied on a reel terminating with fused and taper at one end and a hook at the other (except 16.3 mm shackle)

Safety parking clamp



The Safety parking clamps (SPC) are dedicated to securing lifting platforms used in the elevator industry by attaching the platform to the guiding rail. They are used as a secondary safety device, a primary safety device is mandatory.

In case of breaking of the lifting cable, the platform will fall and will immediately be blocked by the clamp.

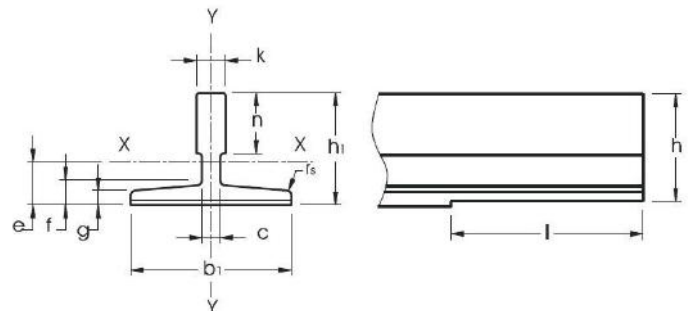
- The **back** Safety parking clamp (BSPC), is attached to the back of the guiding rail of the elevator platform.
- The back safety parking clamp has a wider range but, it requires enough free space at the back of the rail (110 mm without the shackle, ~120 mm with the shackle) to be installed, and is limited to 1.5t capacity.
- The **front** Safety parking clamp (FSPC) is attached to the front of the guiding rail of the elevator platform.
- The front safety parking clamp has a smaller range, is a bit lighter but has a higher capacity (2 t) and can be installed on every installation, since the required space behind the rail is very limited (20 mm minimum). It offers PVC covered handles to ease manipulation.

The safety parking clamps are designed to work on standard ISO 7465 rails, used for elevators. Other uses are forbidden.

Model	WLL	Weight (kg)	Product Code
Front Safety Parking Clamp	2 t	9	212898
Back Safety Parking Clamp	1.5 t	10.4	212928

Product Code	T75-3	T82	T89	T90	T125	T127-1	T127-2	T140-1	T140-2	T140-3
212898	V	V	V	-	-	-	-	-	-	-
212928	V	V	V	V	V	V	V	V	-	-

Rail	Dimensions				
	b1	h1	k	n	f
T75-3/B	75	62	10	30	9
T82/B	82.5	68.25	9	25.4	8.25
T89/B	89	62	15.88	33.4	11.1
T90/B	90	75	16	42	10
T125/B	125	82			12
T127-1/B	127	88.9	15.88	44.5	11.1
T127-2/B					15.9
T140-1/B	140	108	19	50.8	17.5
T140-2/B		102	28.6		
T140-3/B		31.75	31.75		





Blocstop fall arrest devices

An additional safety system in accordance with DIN EN 1808 is mandatory in man riding applications. The system is used to secure the work basket or the platform on which personnel are working against falling.

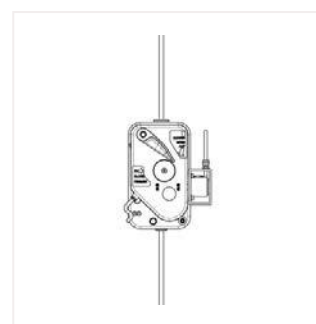
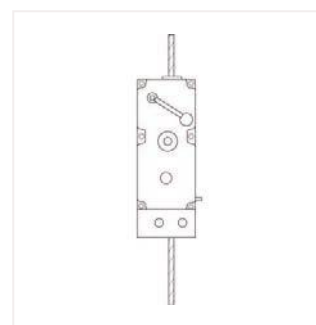
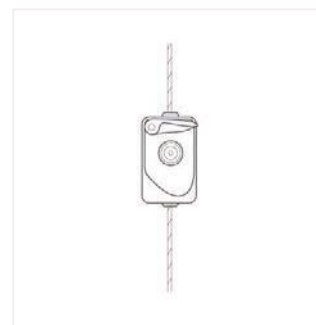
That is precisely what our Blocstop BSO does. It is small, light and compact and attached to the working platform where the safety rope runs through it.

If the movement of the safety rope exceeds a specified speed then the BSO triggers automatically and securely catches the load. The safety rope is held between the clamping jaws, preventing the rope from slipping any further. However, the surface of the clamping jaws is large enough to prevent damage to the rope. The Blocstop is designed in such a way that the clamping jaws grip tighter, the higher the load on the rope.

Furthermore, the Blocstop has been tested using many times the nominal load in order to ensure an extremely large safety margin.

All of the BSO models can be equipped with an electric switch which immediately switches off the Tirak if triggered, for example.

This option increases safety in the event of an emergency stop as it prevents rope slack above the platform.



Blocstop fall arrest devices

Blocstop BSO fall arrest devices

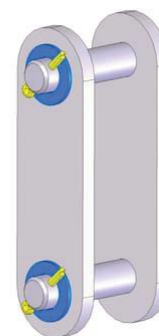
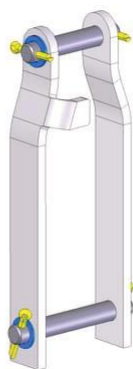


Model	Forward Speed (m/min)	Wire Rope Diameter (mm)	WLL manriding	Description	Product Code
BSO 500 P	30	8	600	-	291569
BSO 500E P	30	8	600	with limit switch and 2m cable fitted with plug for tirak connection	291579
BSO 520 P	30	9	600	-	291589
BSO 520E P	30	9	600	with limit switch and 2m cable fitted with plug for tirak connection	291599
BSO 520E P	30	9	600	with limit switch and 2m cable fitted with cable gland for tirak connection	296359
BSO 1020 P	30	9	800	-	291609
BSO 1020E P	30	9	800	with limit switch and 2m cable fitted with plug for tirak connection	291619
BSO 1020E P	30	9	800	with limit switch and 2m cable fitted with cable gland for tirak connection	296379
BSO 1020EFA P	30	9	800	with remote triggering of the BSO	291629
BSO 1030 P	30	10	1,000	-	291639
BSO 1030E P	30	10	1,000	with limit switch and 2m cable fitted with cable gland for tirak connection	296389
BSO 1030E P	30	10	1,000	with limit switch and 2m cable fitted with plug for tirak connection	291649
BSO 1030EFA P	30	10	1,000	with remote triggering of the BSO	291659
BSO 1040 P	30	11	1,200	-	291669
BSO 1040E P	30	11	1,200	with limit switch and 2m cable fitted with plug for tirak connection	291679
BSO 1040EFA P	30	11	1,200	with remote triggering of the BSO	291689
BSO 2050 P	30	14	2,000	-	291699
BSO 2050E P	30	14	2,000	with limit switch and 2m cable fitted with plug for tirak connection	291709
BSO 2050E P	30	14	2,000	with limit switch and 2m cable fitted with cable gland for tirak connection	296479
BSO 2050EFA P	30	14	2,000	with remote triggering of the BSO	291719
BSO 2460 P	30	16	2,400	-	291789
BSO 2460E P	30	16	2,400	with limit switch and 2m cable fitted with plug for tirak connection	291799
BSO 2460E P	30	16	2,400	with limit switch and 2m cable fitted with cable gland for tirak connection	296489

Accessories for Blocstop

Set of straps

Model	Product Code
straps for BSO 510 - 1044	42517
straps for BSO 2050 - 3060	198247



Counterweights

Model	Product Code
Counterweight for BSO 510-1044	21488
Counterweight for BSO 2050-3060	199487



Counterweight for BSO 510 - 1044



Counterweight for BSO 2050 - 3060

The Blocstop family includes two additional models: the BSA and the BS.

In contrast to the BSO, the BSA's clamping jaws are not triggered by excessive speed but rather by monitoring the suspension rope. The BSA is held open by a lever which is supported on the suspension rope by a roller. If the suspension rope breaks then this support stops and the BSA closes. In precisely the same way as the BSO, the clamping jaws clamp the safety rope and prevent the load or the platform from falling. On platforms with two suspension points, arranging the suspension and safety ropes in parallel enables the system to monitor the tilt of the platform. If one side of the platform descends then the BSA closes on the lower side, catching the platform before the tilt reaches a critical angle.



Fall arrest Blocstop BSA

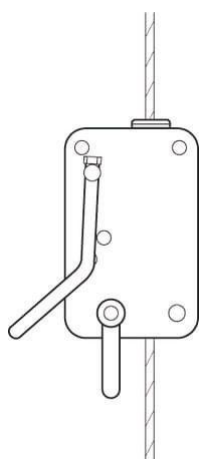
Model	WLL manriding	WLL	Wire Rope Diameter (mm)	Product Code
BSA 15.301	600	600	8.3	3279
BSA 20.300	600	600	8.3	15939
BSA 15.303	800	800	9.5	6019
BSA 20.303	800	800	9.5	15949
BSA 20.304	1,000	1,000	10.2	6039
BSA 20.301	1,200	1,200	11.5	15049
BSA 35.304	2,000	2,000	14.3	35329
BSA 35.30	2,400	2,400	16.3	17999



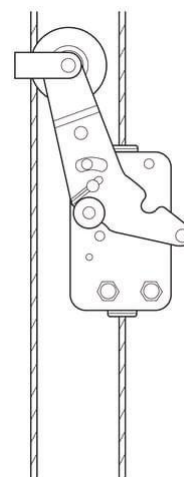
Blocstop BS load arrester

Materials only


Model	WLL	Wire Rope Diameter (mm)	Product Code
BS 15-301	800	8.3	3219
BS 20-300	800	8.3	15929
BS 20-303	1,000	9.5	3239
BS 20-301	1,600	11.5	3129
BS 35-304	3,000	14.3	35319
BS 35-300	3,200	16.3	3149





Blocstop BS



Blocstop BSA

 Order products on day 1, will be shipped no later than day 2.

 Order products on day 1, will be shipped no later than day 6. Maximum quantities apply for this service.

 Available on request. Please enquire about delivery times of these items.

Rotorblade maintenance platform UVM10L

The Blade Maintenance Platform UVM10L is used as a rotor blade traversing system for the temporary inspection of rotor blades in wind energy systems fitted on circular steel or concrete towers. The UVM10L is an easy to install solution to reach most of the installed blades of about 2MW turbines.

UVM10L consists of three main functional groups and it is made entirely from welded aluminium:

- Two asymmetric working half-platforms connected to the base frame by an undercarriage. They can be moved apart or closer together separately or at the same time in order to adjust them precisely to different rotor blade cross-sections.
- One base support frame with side mounted trapezoids, on which the hoist parallelograms plus Tirak rope hoists (X1030 P) and Blocstop fall arrest devices (BSO 1030 EFA) are fitted
- An electric positioning frame with adjustable bumper rollers ensures a stable ascent and descent along the turbine mast

UVM10L main safety features among many others are:

- Automatic triggering of the Blocstop fall arrest device in case of inclination of the platform and overspeed
- Emergency Power Supply: if power supply fails an emergency descent is always possible
- Sliding clutches : the gear motors for the two platform halves are fitted with sliding clutches to prevent damage if any of the components are blocked during intentional movement
- The parallelogram inclination can be adjusted using the Bravo lever hoists and this ensures that the platform's centre of gravity can be re-aligned at anytime. Monitoring of the wind speed and visual alarm for the operators.



Model	Lifting Height	Frequency (Hz)	Voltage (V)	Product Code
UVM10L 50Hz 130m	130	50	400	282009
UVM10L 60Hz 130m	130	60	400	282019
UVM10L 50Hz 150m	150	50	400	282029
UVM10L 60Hz 150m	150	60	400	282039
UVM10L 50Hz 130m asym	130	50	400	282049
UVM10L 60Hz 130m asym	130	60	400	282059
UVM10L 50Hz 150m asym	150	50	400	282069
UVM10L 60Hz 150m asym	150	60	400	282079

Accessories for UVM 10L

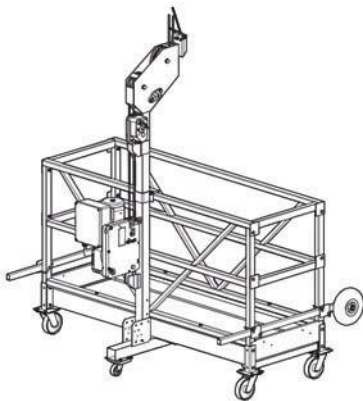
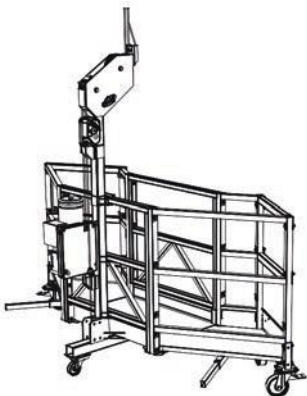
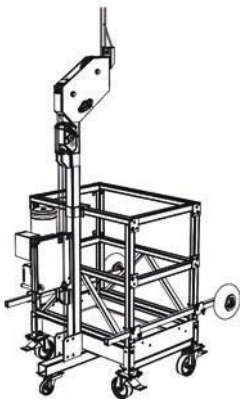
Model	Product Code
Transport trailer SP 3502	188335
Counterweight for trailer	187687
tower support 1,6 m	202127
tower support 2,0 m	229337
tower support 3,0 m	229347
Protection bush for rope through	200765
Limit switch adjustment for external overload	196427
Hoisttrapezoid 1000 kg	196397
Hoisttrapezoid 1250 kg	196407
Blade support	202147
Control set 50 Hz 2,4 GHz	240067
Control Set 60 Hz 2,4 GHz	240077

Platform C5 & CT5

C5 & CT5 platforms have been especially developed to be used inside or outside for temporary inspection of wind energy systems (e.g. on round steel or concrete towers of wind turbines or chimneys). The platform are designed to be compact. The maximum lifting capacity of the C5 platform is 240kg.

Main advantages:

- Proven Tirak technology,
- Low weight,
- No assembly time,
- Low installation height.



C5-1L


Model	Voltage (V)	Frequency (Hz)	Wire Rope Diameter (mm)	WLL manriding	Product Code
C5 1L	400	50	8	240	259459
C5 1L	400	60	8	240	259489
C5 1L	690	50	8	240	259559
C5 1L	690	60	8	240	259589
C5 1L	400	50	9	240	110269
C5 1L	400	60	9	240	259529
C5 1L	690	50	9	240	259619
C5 1L	690	60	9	240	259649


C5-1L2W


Model	Voltage (V)	Frequency (Hz)	Wire Rope Diameter (mm)	WLL manriding	Product Code
C5 1L2W	400	50	8	240	212699
C5 1L2W	400	60	8	240	259499
C5 1L2W	690	50	8	240	259569
C5 1L2W	690	60	8	240	259599
C5 1L2W	400	50	9	240	259509
C5 1L2W	400	60	9	240	259539
C5 1L2W	690	50	9	240	259629
C5 1L2W	690	60	9	240	259659

C5-2L

Model	Voltage (V)	Frequency (Hz)	Wire Rope Diameter (mm)	WLL manriding	Product Code
C5 2L	400	50	8	240	259449
C5 2L	400	60	8	240	259479
C5 2L	690	50	8	240	259549
C5 2L	690	60	8	240	259579
C5 2L	400	50	9	240	110279
C5 2L	400	60	9	240	259519
C5 2L	690	50	9	240	259609
C5 2L	690	60	9	240	259639

 Order products on day 1, will be shipped no later than day 2,

 Order products on day 1, will be shipped no later than day 6. Maximum quantities apply for this service.

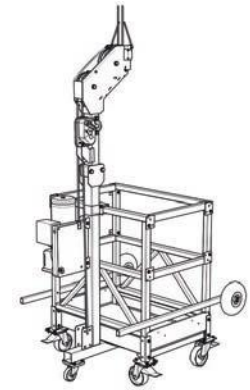
 Available on request. Please enquire about delivery times of these items.

Platform CT5

In addition to the C5 platform advantages and features, the CT5 platforms include a foldable support frame easing the transportation.

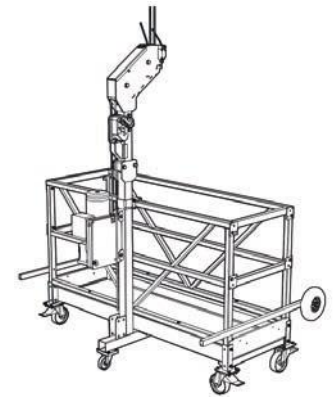
CT5-1L

Model	Voltage (V)	Frequency (Hz)	Wire Rope Diameter (mm)	WLL manriding	Product Code
CT5 1L	400	50	8	300	212689
CT5 1L	400	60	8	300	212719
CT5 1L	400	50	9	300	212749
CT5 1L	400	60	9	300	212769
CT5 1L	690	50	8	300	212799
CT5 1L	690	60	8	300	212829
CT5 1L	690	50	9	300	212859
CT5 1L	690	60	9	300	212889



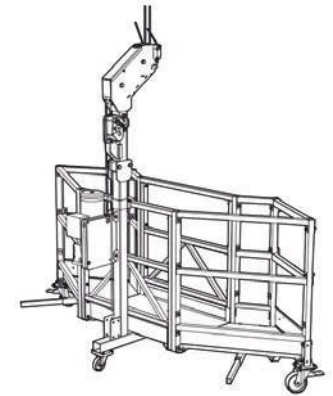
CT5-1L2W

Model	Voltage (V)	Frequency (Hz)	Wire Rope Diameter (mm)	WLL manriding	Product Code
CT5 1L2W	400	50	8	300	259469
CT5 1L2W	400	60	8	300	212729
CT5 1L2W	690	50	8	300	212809
CT5 1L2W	690	60	8	300	212839
CT5 1L2W	400	50	9	300	110289
CT5 1L2W	400	60	9	300	212779
CT5 1L2W	690	50	9	300	212869
CT5 1L2W	690	60	9	300	212899



CT5-2L

Model	Voltage (V)	Frequency (Hz)	Wire Rope Diameter (mm)	WLL manriding	Product Code
CT5 2L	400	50	8	300	212649
CT5 2L	400	60	8	300	212709
CT5 2L	690	50	8	300	212789
CT5 2L	690	60	8	300	212819
CT5 2L	400	50	9	300	212739
CT5 2L	400	60	9	300	212759
CT5 2L	690	50	9	300	212849
CT5 2L	690	60	9	300	212879



Order products on day 1, will be shipped no later than day 2.



Order products on day 1, will be shipped no later than day 6. Maximum quantities apply for this service.



Available on request. Please enquire about delivery times of these items.

Suspension equipment



Portafix A

Model	Product Code
Portafix A	61408
Portafix B	61368
Portafix C	61428

Accessories for Portafix C


Model	Product Code
Complement for portafix C	61328
Counterweight 25kg	3378
Front cross bar extension for Portafix C	71347
Guying wire rope + anchor brackets for portafix	3278
Mobile counterweight cross bar + locking system	61388
Mobile front cross bar with height adjuster	61338
Portafix counterweight table plate	84295
Portafix assembly instructions plate	84615
Rear castor wheel (without brake)	47836
Rear height adjuster	3348
Rear safety anchor assembly complete	3268
Reinforcing bracket	7827
Standard telescopic jib complete	3308





Omega parapet clamp

OMEGA parapet clamp is a temporary access solution when the parapet is sufficiently strong (reinforced concrete etc), it can be directly attached on it. It is delivered ready for use, with rollers allowing easy transversal motion.

Model	Product Code
Omega parapet clamp	8698
Rear safety anchor assembly complete	3268

 Order products on day 1, will be shipped no later than day 2,

 Order products on day 1, will be shipped no later than day 6. Maximum quantities apply for this service.

 Available on request. Please enquire about delivery times of these items.

Working baskets

Solo platform for temporary access

Solo work platform equipped with Tirak X-300P series electric hoist.

Supplied as a kit to be assembled.

Suspension wire ropes and electrical cable to be supplied separately.



Model	Product Code
Solo with Tirak X-300P - 3PH - 50Hz	55609
Solo with Tirak X-301P - 1PH - 50Hz	55619

Solo components and accessories

Model	Product Code
Ballast weight 9.5 kg	21488
Buffer plate for limit switch	7488
Foam facade protection roller dia. 145x 240 mm	7758
Lower stirrup for Tirak X-300	27737
Pneumatic facade protection wheel on sliding bar	3438



Working seats



Solsit motorised work seat

The Solsit, motorised seat for inspection and maintenance, has been specifically designed for man riding applications.

The Solsit is suitable for many light jobs and is fitted with a Tirak X-300P series hoist (single or 3 PH, 50 or 60 Hz, on request).

The working height is limited only by the length of the wire rope supplied.

Supplied as an assembly including ballast weight, quality control and testing.

Suspension wire rope and electrical cable to be supply separately.

Model	Product Code
Solsit with Tirak X-300P - 3PH - 50Hz	55649
Solsit with Tirak X-301P - 1PH - 50Hz	55659

Solsit components & accessories

Model	Product Code
Set of 2 rubber roles	14828
Work seat with belt and handle, without tirak™/BSO and accessories	14798



Subito manual work seat

The SUBITO seat is a one-man suspended work seat used for temporary work purposes such as inspection, maintenance and cleaning at height.

Supplied as an assembly including ballast weight, quality control and testing.

Suspension wire rope and electrical cable to be supply separately.

Model	Product Code
Subito with Scafor	25429
Support mount	28398
10 m galvanised cable	53809
20 m galvanised cable	53829
30 m galvanised cable	53849

Subito components & accessories

Model	Product Code
Scafor 406, 120 kg, Ø 6,5mm	16408
Subito frame with wheels	28398

ALTA L & ALTA S Platforms

The suspended working platform installation kit consists of

- Platform Alta L or Alta S equipped with electric winch Tirak or manual winch Scafor
- Wire ropes with Blocstop BSO fall protection attached to Portafix or Omega

Modular design.

The unique concept of these aluminium platforms consists in the fact that working platforms of 2 and 3 m, working platforms from 2 to 18 m in length can be constructed.

Robust and lightweight.

Weight is an important consideration and for this reason the platforms and railings are made of aluminium.

For safety reasons, the yokes and connecting components are made of galvanised steel.

These platforms are an excellent alternative to classic scaffolding as they can easily reach all places on the facade of a building. They are a good long-term investment as they are light, safe, easy to assemble and, most importantly, very durable and of high quality.

Two models available depending on the type of work to be carried out and demand:

Alta L

A model perfectly suited to lighter work such as painting, renovation, small installations or repairs or window cleaning.

Technical data:

- For 2 up to 6 users
- Length: up to 15 m
- Internal width: 0.6 m
- Maximum working load: 120kg/m

Alta S

Reinforced model for use during construction work, installation of stone facades, accessing chimneys and silos etc. It is perfect for hire.

Technical data:

- For 2 up to 8 users
- Length: up to 18 m
- Internal width: 0.68 m
- Maximum working load: 140kg/m

Three types of stirrups to meet the customers' requirements:

End stirrups

Economical and lightweight solution. Up to 12m for Alta L and up to 15m for Alta S.

Frame stirrups

Ends are clear and accessible. Upper part is compatible with the end stirrups. Maximum length are 15m for Alta L and 18m for Alta S.

Folding C stirrup

Placed at the rear of the platform, behind the workers. Ends are clear and easily accessible. Maximum length are 15m for Alta L and 18m for Alta S.



ALTA L



ALTA S



Manriding trolleys



Corso manual/geared trolley for manriding

Unique in its kind: Suitable for man-riding applications in accordance with the EN1808 standard.

The Corso manual/mechanical trolley can be quickly and easily assembled onto a steel beam, with both a straight and sloping flange, creating a reliable anchor point. For additional safety, the trolley has an integrated brake to park the trolley in a fixed position.

An extension stick is available as an accessory for remotely tightening the brake. Equipped with a galvanized manual chain 5x24 mm, operating height 3m.

- Suitable for man-riding applications
- In accordance with the EN1808 -2006/42/EC directive
- Range 1,000 to 3,000 kg
- With integrated brake
- Perfect stability
- Suspension eye
- Simple adjusting device

Model	WLL manriding	Weight (kg)	Flange Width (mm)	Min.Radius (mm)	Product Code
DT 1,0	1,000	19,8	58 - 220	1000	183099
DT 1,0	1,000	20,5	220 - 300	1000	183109
DT 2,0	2,000	22,5	66 - 220	1200	183119
DT 2,0	2,000	24	220 - 300	1200	183129
DT 3,0	3,000	37,5	74 - 220	1300	183139
DT 3,0	3,000	39	220 - 300	1300	183149

Manriding trolleys

Corso push trolley for manriding

Unique in its kind: Suitable for man-riding applications in accordance with the EN1808 standard.

The Corso push trolley range can be quickly and easily assembled onto a steel beam, with both a straight and sloping flange, creating a reliable anchor point.

For additional safety, the push trolley has an integrated brake to park the trolley in a fixed position. An extension stick is available as an accessory for remotely tightening the brake.

- Suitable for man-riding applications
- In accordance with the EN1808 -2006/42/EC directive
- Range 500 to 3,000 kg
- With integrated brake
- Perfect stability
- Suspension eye
- Simple adjusting device

Model	WLL manriding	Weight (kg)	Flange Width (mm)	Min.Radius (mm)	Product Code
PT 0,5	500	8.5	62 - 220	900	183019
PT 0,5	500	10	220 - 300	900	183029
PT 1,0	1,000	10.5	58 - 220	1000	183039
PT 1,0	1,000	14	220 - 300	1000	183049
PT 2,0	2,000	18	68 - 220	1200	183059
PT 2,0	2,000	21.6	220 - 300	1200	183069
PT 3,0	3,000	32	74 - 220	1300	183079
PT 3,0	3,000	35	220 - 300	1300	183089



Corso beam clamp for manriding

Unique in its kind: Suitable for man-riding applications in accordance with the EN1808 standard.


The Corso spindle beam clamp range can be quickly and easily assembled onto a steel beam, creating


a reliable anchor point. To be used in combination with the Tirak or Tirfor man-riding applications.


- Man-riding transport
- Range 1,000 to 7,000 kg
- In accordance with the EN1808 - 2006/42/EC directive
- Perfect stability
- Suspension eye
- Simple adjusting device

Model	WLL manriding	Weight (kg)	Flange Width (mm)	Product Code
LT-1B	1,000	4.8	75-235	183209
LT-2B	2,000	5.6	75-235	183219
LT-3B	2,500	11	95-335	183229
LT-5B	3,000	12.3	95-330	183329
LT-10B	7,000	21	90-345	183249



 Order products on day 1, will be shipped no later than day 2,

 Order products on day 1, will be shipped no later than day 6. Maximum quantities apply for this service.

 Available on request. Please enquire about delivery times of these items.

General Conditions of Sale

Of Tractel UK Ltd (Hereinafter referred to as "Tractel" or the "seller") in Sheffield, United Kingdom v.05/2021

Article 1 Applicability

Any order sent from the buyer, implies the acknowledgement by the buyer that he gets all required information to the conclusion of the agreement and the acceptance of these terms. Therefore, no clause to the contrary may be set up against the seller if he has not formally accepted it in writing and notably all the general terms sent earlier by way of circular letters.

Article 2 Offers and Agreement

2.1 Unless otherwise specified, the seller's quotation is without obligation and shall expire thirty (30) days from its date.

The sale agreement is binding only after written acceptance within 8 days of receipt by the seller of the buyer's order, or if not by the delivery of the service or goods.

An order which is accepted cannot be cancelled without the seller's prior and explicit consent.

2.2 Oral promises by and arrangements with employees of Tractel will not be binding on Tractel unless they have been confirmed in writing by a legally authorised representative of Tractel.

Article 3 Specifications concerning the supply

The specifications mentioned in the seller's catalogues, price lists, leaflets and all advertising documents are for information purposes only. The seller reserves the right to carry out any changes he may consider appropriate on his products, without affecting the essential specifications and performance, even after the orders acceptance.

Article 4 Prices

4.1 All prices are understood in to be in £(GBP) free of any discount, taxes or insurance for non-packaged Goods, Ex-Works (EXW Incoterms® ICC in force at the date when the contract is made). Any possible costs for packaging, loading and conveying from the factory to the place of delivery shall be borne by the buyer, unless otherwise agreed in writing.

4.2 If the cost factors (including the costs of wages and materials) are subject to an increase between the conclusion

of the agreement and the date of despatch, Tractel will be entitled to increase the prices accordingly.

Article 5 Payment

5.1 The price is payable at the seller's head office as follows:

- Part with the order (down payment)
- the balance by accepted draft 14 (fourteen) days from the date of invoicing at the latest

unless different terms have been agreed in writing. The payment of a down payment with the order does not in any way entitle the buyer to retract in return for giving up his down payment which, in the event of cancellation of the order, remains acquired to the seller as a compensation, subject to all other rights.

Payments must be made in full without any deduction or off-set due to an alleged or actual non-conformity on the part of Tractel.

5.2 Tractel is entitled to demand adequate security prior to delivery, irrespective of the agreed payment conditions. Where such security is not provided, Tractel will be entitled to suspend deliveries or further performance of the agreement.

5.3 Any complaints about invoices must be submitted in writing within eight (8) days of the date of the invoices.

Article 6 Penalties

6.1 Non-payment is a default and all debts even the debts that are not yet overdue become immediately due.

6.2 In the event the special terms specify a deferred payment and one of the due dates is not met, the buyer will be in default without further notice of default, and the buyer by right and without a prior formal demand, will be liable for penalties for delay which will result in the application of a rate of 1% a month from the invoice's due date, without prejudice to the other rights of Tractel.

6.3 In addition to the penalties for delay, and late payment, the buyer, by right and without prior formal demand, shall pay recovery costs equal to £ 50. The seller will be entitled to obtain compensation from the buyer for any recovery costs exceeding that fixed sum and incurred due to the buyer's late payment.

By explicit agreement, the non-payment on the due date shall entail, as a penalty clause, a compensation of 15% (fifteen percent) of the amounts due, plus the interest set in the agreement and any possible costs of litigation.

Article 7 Retention of title and risk of loss

7.1 Any products subject to the present order shall remain the Property of Tractel until the buyer has complied in full with all its payment obligations, without prejudice to the buyer's obligation to pay in good time, and all means of payment: drafts or other negotiable instruments shall be considered as payment only after the actual collection of their amount by the seller.

During the period between the delivery and the full payment of the price, the buyer, shall only be considered as the simple depository of the products, the buyer shall have to pay the price on agreed due dates, or failing payment of a single payment, to pay the full price or, to return the products, or if not he shall incur the penalties provided for by law (or this agreement). The delivery itself shall place the products at the buyer's risks despite the fact the latter is only the depository until full payment is made.

7.2 On account of his capacity of simple depository until the full payment of the price, the buyer to whom the products are delivered will not be entitled to resell them or to alienate them by any means, including by way of contract of pledge, security or otherwise.

However, he may:

- Either, after prior agreement of the seller and under its entire liability, have its buyer pay directly the product subject-matter of the present agreement to the seller.

- Or assign the benefit and the charges resulting from the present agreement, but on the formal condition of informing its assignee under its own liability that the products are subject to a reservation of title clause and that himself is only the depository until full payment of their price, in such a manner that said assignee has himself only the capacity of depository until the payment, and that the seller may be able to claim from him the payment or the return, if the amount of the price is not paid in full on the date due.

Article 8 Delivery times

- 8.1 – Delivery means delivery of the goods at the seller's premises;
- 8.2 – The delivery time is the date entered by the seller on its acknowledgment of receipt of the order.
- 8.3 – Delivery times are given for information purposes and without commitment. The seller commits to deliver promptly the goods to the buyer provided that the seller gets all the information and documents required for the performance of the contract.
- 8.4 – It is expressly agreed that the seller shall owe no compensation for delay, except in the event of deliberate tortious intent.

Article 9 Delivery and Acceptance

- 9.1 The buyer shall take delivery of its product(s) in the seller's premises within 30 days following the notification of the seller that the product(s) are ready for delivery.
- 9.2 At the end of this 30-day period, and after a formal demand by registered letter with advice of delivery sent to the buyer to remove the product(s) IMMEDIATELY, the seller shall be entitled to force the buyer to perform its obligations, notably to make the payments, the delivery being considered as made; in this case the seller shall store the products at the buyer's risks.
- 9.3 After the time-limit provided for in article 9.2, the seller shall be able, if it deems this appropriate, to consider the agreement as terminated by the buyer, the payments received from the latter being acquired to him without prejudice of any other rights, and notably the seller shall be entitled to demand as a penalty clause the payment of a compensation equal to 15% of the sale price of the equipment. The seller shall then, after advising the buyer by registered letter, use the products as it wishes.
(I agree 9.1 to 9.3 is not appropriate for product sales)
- 9.4 The products are delivered with their instructions manual for use; the user shall read them before using the products. The buyer shall check and see if he has the documents, if not it shall contact the seller to get them.
- 9.5 Acceptance: Without any written claims within 30 days following the date of delivery, the product shall be considered free from any visible defects and accepted.

Article 10 Force majeure

The Parties shall not be held responsible for any delay or failure to execute one of its obligations within the scope of the Agreement should the delay or failure be the direct or indirect result of a case of force majeure, which is defined as an event beyond the control of the Parties and independent from their will, including but not limited to cyber-attack, civil conflict, revolution, war, disease outbreak or pandemics, acts of God, occurrence of a natural catastrophe and extraordinary weather.

The seller when possible will give an estimate of the period during which it is likely that it shall be prevented from complying with the said obligation or obligations.

Should the event of Force Majeure last for more than 3 (three) months since its date of notice, then the party suffering from Force Majeure shall be entitled to terminate immediately the present Contract without prejudice by registered letter.

Article 11 Transport and Insurance

The steps the seller may take in the interest and on behalf of the buyer as regards insurance and transport, do not prevail against the principle of the delivery in the factory or store of the seller.

The fact of including the transport cost in the price does not constitute an exemption to the principle of the delivery made in the factory or the store of the seller. Any transport made by the seller itself, whether the costs are to be paid for by the buyer or not, is considered as made according to a contract of carriage separate from the sale agreement.

If there are no instructions, the seller dispatches the goods in the best interests of the buyer.

In all cases, it is up to the buyer to check everything, to make all reservations upon the arrival of the product and to lodge, if the need arises, against the carrier the appeals, which must be lodged within 3 days following the acceptance; should these formalities not be complied with, the carrier's liability may not be implemented and the seller cannot in any case be sued for this reason.

Article 12 Warranty

12.1 - All products are covered against defects in material and construction faults for a period of twelve (12) months from the date appearing on the despatch note.

12.2 – (i) This warranty is strictly limited, after examination of the product by the seller and to suit its convenience, to the repair or replacement of the product recognized as defective, with the express exclusion of all accessory costs.

(ii) The warranty only covers the cost of replaced parts and labour used. Travel costs and hotel expenses for the personnel on the user's site as well as transport costs of the product concerned at the seller's factory and return are to be paid for by the beneficiary of the warranty.

12.3 – The warranty does not cover the damage resulting from bad assembly, insufficient maintenance, or normal wear and tear. It does not apply to paints and coatings.

12.4 – Any defect triggering the seller's warranty must, failing forfeiture, be declared to the seller, with invoice corresponding to the purchase of the product in question and all other supporting documents (despatch note, etc.).

12.5 – Exchanges or repairing of parts covered by the warranty cannot extend the warranty.

12.6 – The warranty will not apply to any product which is modified, altered, repaired outside the seller's workshops without the seller's prior written approval.

12.7- The seller's liability is expressly limited to the above-mentioned warranty.

12.8 – An action to enforce the warranty cannot justify any delay in payments.

Article 13 Liability

Under no circumstances, shall the seller be held liable to the Buyer for any consequential business, incidental or indirect damages or contingent damages notably operating losses, loss of contracts or earnings, interruption or loss of production, loss of use or loss of opportunity, whether such liability is based on contract indemnity, tort (including negligence), statute or any other basis of legal liability. The liability of the seller, all causes taken into account with the exception of bodily injuries and gross negligence, is limited to a sum with an upper limit fixed at the amount invoiced and collected of the supply alleged defective..

The buyer is responsible for the waiver in contract against the seller or its insurers beyond the limits and exclusions fixed above.

In case where specified penalties and damages have been agreed in common, they shall have a lump sum compensation value, constituting discharge, and shall be exclusive of any other sanction or compensation.

Tractel will never be liable for any damage that is the consequence of:

- incorrect and/or incomplete data and/or data not provided in time, originating from the buyer;
- failure to observe the user manual / operating instructions and/or improper use.

Provisions stated in articles 12 and 13 shall constitute the sole warranty/guarantee and liability obligations of the seller to the exclusion of any other guarantee of any kind, direct or indirect, express or implied.

Article 14 Service performance

The scale of service performance of the seller is understood to be exclusive of travel and hotel costs. The estimates for repairs not followed by an order confirmation are payable and include the operations of dismantling, reassembly and trips. Without a reply from the buyer within 30 days from the date appearing on the estimate, the equipment shall be returned, and transport costs to be paid for by the buyer.

The buyer agrees to place at the disposal of the seller a place required for the operation as well as the required means of lifting, handling and testing. The seller reserves the right to take into account the weather conditions on the site and accept no responsibility for any possible delays due to these conditions or to the nonconformity of the site with the public health and safety conditions. The seller will accept no liability whatsoever for the consequences following stoppage of the product or while it is being repaired.

The buyer must make sure of the solidity of supports, anchoring or props of the equipment set up; it has the responsibility of checking the solidity and the conformity with safety rules.

Article 15 Hardship clause

The Parties are aware of the fact that this agreement is fair and equitable. By mutual agreement, the Parties accept to deal with risks associated with changing circumstances.

Article 16 General

If it becomes evident that one or more provisions from these General Conditions of Sale is invalid, or if, for whatever reason, is impossible to demand compliance with them, the other provisions of these General Conditions of Sale will remain in full force, and parties will consult with one another about the invalid provision or the provision with regard to which it is impossible to demand compliance, and discuss the way in which the purport of the relevant provision can be enforced in the best possible manner.

Article 17 Disputes

The Agreement shall in all parts be subject to and contracted in accordance with English Law excluding the United Nations Convention on Contracts for the International Sale of Goods (1980, Vienne) and the English Courts shall have exclusive jurisdiction in all matters arising out of an Agreement.

Article 18 – Publicity

The seller and/or any other TRACTEL company will be authorised to issue marketing material, publicity, promotion or advertising in whatever form, regarding the products and services object of the Order; this authorization may be suspended further to the buyer's request.

Article 19 – Personal Data Protection

The seller processes personal data (full name, address, email, phone number,...) of its buyer's contacts.

The purpose of personal data processing is to perform orders and manage the relationship between the seller and the buyer. These personal data may be shared with TRACTEL companies located within the EU.

No transfer of personal data to third countries (outside European Union) or international organisations is intended.

The buyer undertakes to inform the seller of any update regarding the personal data of the data subject and to inform them of the content of this clause. The data subject benefits from the right to require access to, rectification, erasure of their personal data or restriction to processing of their personal data or to object to processing as well as the right to data portability by writing to dpa.tuk@tractel.com

The data subject also has the right to lodge a complaint with the ICO (UK Data Protection Authority).

The seller undertakes to take appropriate technical measures in order to ensure security and confidentiality of personal data. The seller undertakes to keep personal data no longer than necessary for the purposes of this personal data processing and in any case for a maximum period of 3 years from the last products order to the seller.

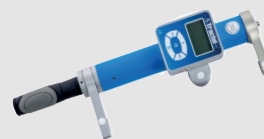
Counterweight base
for Davitrac



Electric chain hoist
Volt Trac monophasé



Dynaline HF45



Fall arrester
Blocfor



Fall arrester
Stopfor



Hoist
Tirfor TU32A



Our global presence



Tractel UK Ltd

Old Lane
Halfway
Sheffield
S20 3GA
Phone: +44 (0) 1142 48 22 66
Email: sales.uk.tractel@alimakgroup.com

www.tractel.com